



Refrigerators



Model#: GTE17GSNRSS

GE® ENERGY STAR® 16.6 Cu. Ft. Top-Freezer Refrigerator

Approx Dimensions (HxWxD):
64 3/4 H x 28 W x 32 5/8 D

- #1 in Quality and Dependability-Among 16-22 cu. ft. refrigerators based on an independent study of property maintenance personnel. Source: The Stevenson Company, 2020—Market research company with over 20 years of experience in the appliance industry
- LED lighting-Find all your favorite foods under natural-looking light
- Sliding deli drawer-Enjoy greater flexibility in your fridge and easily create more space for tall items with an innovative drawer that can be positioned wherever you prefer
- Edge-to-edge glass shelves-Enjoy a polished look and easy-access cleaning with edge-to-edge shelves that extend the full width of the refrigerator

Also Available in:

GTE17GTNRBB - Black

GTE17GTNRWW - White

GTE17GSNRSS - Stainless Steel



Model#: GIE17GSNRSS

GE® ENERGY STAR® 16.6 Cu. Ft. Top-Freezer Refrigerator

Approx Dimensions (HxWxD):
64 3/4 H x 28 W x 32 5/8 D

- #1 in Quality and Dependability-Among 16-22 cu. ft. refrigerators based on an independent study of property maintenance personnel. Source: The Stevenson Company, 2020—Market research company with over 20 years of experience in the appliance industry
- LED lighting-Find all your favorite foods under natural-looking light
- Edge-to-edge glass shelves-Enjoy a polished look and easy-access cleaning with edge-to-edge shelves that extend the full width of the refrigerator
- Sliding deli drawer-Enjoy greater flexibility in your fridge and easily create more space for tall items with an innovative drawer that can be positioned wherever you prefer



Model#: GIE18GSNRSS

GE® ENERGY STAR® 17.5 Cu. Ft. Top-Freezer Refrigerator

Approx Dimensions (HxWxD):
67 3/8 H x 28 W x 32 5/8 D

- #1 in Quality and Dependability-Among 16-22 cu. ft. refrigerators based on an independent study of property maintenance personnel. Source: The Stevenson Company, 2020—Market research company with over 20 years of experience in the appliance industry
- LED lighting-Find all your favorite foods under natural-looking light
- Edge-to-edge glass shelves-Enjoy a polished look and easy-access cleaning with edge-to-edge shelves that extend the full width of the refrigerator
- Sliding deli drawer-Enjoy greater flexibility in your fridge and easily create more space for tall items with an innovative drawer that can be positioned wherever you prefer

Also Available in:

GIE18GSNRSS - Stainless Steel

GIE18GTNRBB - Black

GIE18GTNRWW - White

GIE18GCNRSA - Silver



Model#: GTE18GSNRSS

GE® ENERGY STAR® 17.5 Cu. Ft. Top-Freezer Refrigerator

Approx Dimensions (HxWxD):
67 3/8 H x 28 W x 32 5/8 D

- #1 in Quality and Dependability-Among 16-22 cu. ft. refrigerators based on an independent study of property maintenance personnel. Source: The Stevenson Company, 2020—Market research company with over 20 years of experience in the appliance industry
- LED lighting-Find all your favorite foods under natural-looking light
- Edge-to-edge glass shelves-Enjoy a polished look and easy-access cleaning with edge-to-edge shelves that extend the full width of the refrigerator
- Sliding deli drawer-Enjoy greater flexibility in your fridge and easily create more space for tall items with an innovative drawer that can be positioned wherever you prefer

Also Available in:

GTE18GMNRES - Fingerprint Resistant Slate

GTE18GSNRSS - Stainless Steel

GTE18GTNRBB - Black

GTE18GTNRCC - Bisque

GTE18GTNRWW - White



Refrigerators



Model#: GIE19JSNRSS

GE® ENERGY STAR® 19.2 Cu. Ft. Top-Freezer Refrigerator

Approx Dimensions (HxWxD):
66 3/8 H x 29 3/4 W x 34 1/2 D

- #1 in Quality and Dependability-Among 16-22 cu. ft. refrigerators based on an independent study of property maintenance personnel. Source: The Stevenson Company, 2020—Market research company with over 20 years of experience in the appliance industry
- Premium Inner Door-Enjoy greater flexibility and organizational options with modular bins right on the door
- LED lighting-Find all your favorite foods under natural-looking light
- Edge-to-edge glass shelves-Enjoy a polished look and easy-access cleaning with edge-to-edge shelves that extend the full width of the refrigerator



Model#: GTE19JSNRSS

GE® ENERGY STAR® 19.2 Cu. Ft. Top-Freezer Refrigerator

Approx Dimensions (HxWxD):
66 3/8 H x 29 3/4 W x 34 1/2 D

- #1 in Quality and Dependability-Among 16-22 cu. ft. refrigerators based on an independent study of property maintenance personnel. Source: The Stevenson Company, 2020—Market research company with over 20 years of experience in the appliance industry
- Premium Inner Door-Enjoy greater flexibility and organizational options with modular bins right on the door
- LED lighting-Find all your favorite foods under natural-looking light
- Edge-to-edge glass shelves-Enjoy a polished look and easy-access cleaning with edge-to-edge shelves that extend the full width of the refrigerator

Also Available in:

- GTE19JTNRBB - Black
- GTE19JTNRWW - White
- GTE19JSNRSS - Stainless Steel



Model#: GDE21ESKSS

GE® ENERGY STAR® 21.0 Cu. Ft. Bottom-Freezer Refrigerator

Approx Dimensions (HxWxD):
69 7/8 H x 29 3/4 W x 36 5/8 D

- 30" wide
- LED lighting-Find exactly what you've been looking for under crisp, clear lighting
- Sliding snack drawer-Make more space, exactly where you need it, with a drawer that moves across the entire width of the fresh-food section
- Factory-installed icemaker-Refrigerator comes ready to automatically create ice

Also Available in:

- GDE21EGKWW - White
- GDE21EMKES - Fingerprint Resistant Slate
- GDE21ESKSS - Stainless Steel
- GDE21EGKBB - Black
- GDE21EYKFS - Fingerprint Resistant Stainless



Model#: GPE12FSKSB

GE® ENERGY STAR® 11.6 cu. ft. Top-Freezer Refrigerator

Approx Dimensions (HxWxD):
59 7/8 H x 24 W x 28 5/8 D

- 11.6 cu. ft. capacity
- ENERGY STAR® qualified-Cool down your monthly utility bills by using less energy
- ADA-compliant-Designed for easy operation and access
- Equipped for optional icemaker-Easily accommodates the installation of an icemaker

Also Available in:

- GPE12FGKBB - Black
- GPE12FSKSB - Stainless Steel
- GPE12FGKWW - White

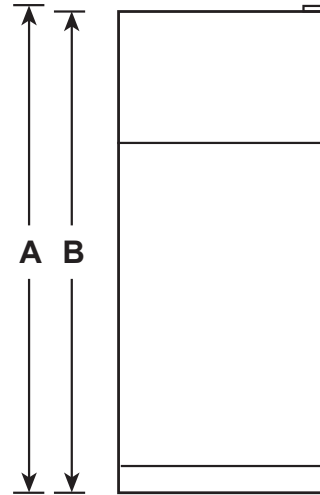
GTE17GTN/GSN

GE® ENERGY STAR® 16.6 Cu. Ft. Top-Freezer Refrigerator

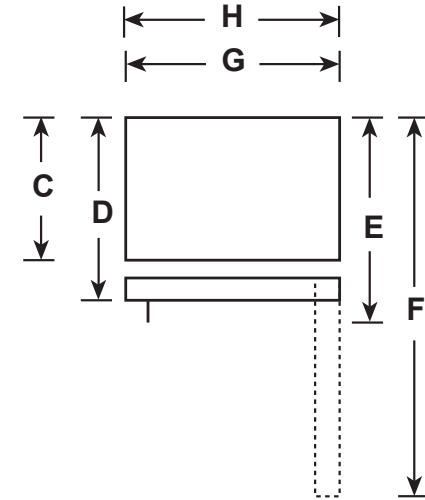
DIMENSIONS AND INSTALLATION INFORMATION (IN INCHES)

| | | |
|--------------------|---|--------|
| OVERALL DIMENSIONS | Height to top of hinge (in.) A | 64-3/4 |
| | Height to top of case (in.) B | 64-1/4 |
| | Case depth without door (in.) C | 26-3/4 |
| | Case depth less door handle (in.) D | 30-1/2 |
| | Case depth with door handle (in.) E | 32-5/8 |
| | Depth with fresh food door open 90° (in.) F | 57 |
| | Width (in.) G | 28 |
| | Width with door open 90° with door handle (in.) H | 30-5/8 |
| AIR CLEARANCES | Each side (in.) | 3/4 |
| | Top (in.) | 1 |
| | Back (in.) | 1 |

FRONT VIEW



TOP VIEW



For answers to your Monogram, GE Café™ Series, GE Profile™ Series or GE Appliances product questions, visit our website at geappliances.com or call GE Answer Center® Service, 800.626.2000.



Listed by
Underwriters
Laboratories



As an ENERGY STAR® partner, GE has determined that this product meets the ENERGY STAR guidelines for energy efficiency.

GTE17GTN/GSN

GE® ENERGY STAR® 16.6 Cu. Ft. Top-Freezer Refrigerator

FEATURES AND BENEFITS

#1 in Quality and Dependability – Among 14-18 cu. ft. refrigerators based on an independent study of property maintenance personnel.

Source: The Stevenson Company, 2016—Market research company with over 20 years of experience in the appliance industry

LED lighting – Find all your favorite foods under natural-looking light

Edge-to-edge glass shelves – Enjoy a polished look and easy-access cleaning with edge-to-edge shelves that extend the full width of the refrigerator

Sliding deli drawer – Enjoy greater flexibility in your fridge and easily create more space for tall items with an innovative drawer that can be positioned wherever you prefer

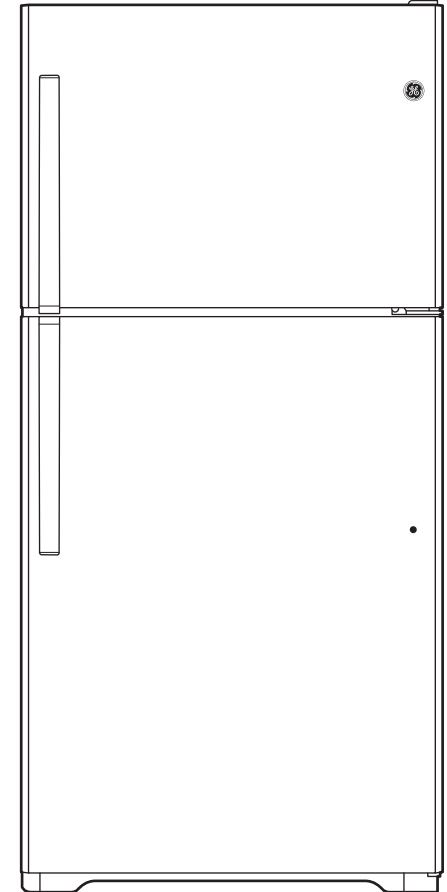
Adjustable wire freezer shelf – Easily adjusts between two positions to accommodate items of all shapes and sizes

Upfront temperature controls – Easy-to-use controls regulate both fresh food and freezer sections

Model GTE17GTNRWW – White

Model GTE17GTNRBB – Black

Model GTE17GSNRSS – Stainless steel



As an ENERGY STAR® partner, GE has determined that this product meets the ENERGY STAR guidelines for energy efficiency.

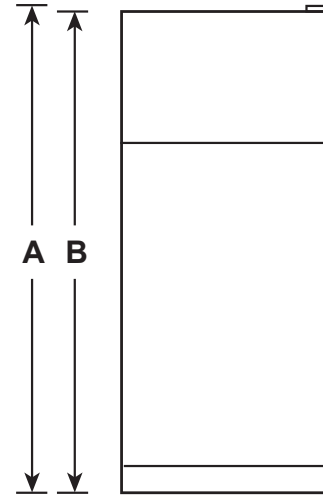
GIE17GSN

GE® ENERGY STAR® 16.6 Cu. Ft. Top-Freezer Refrigerator

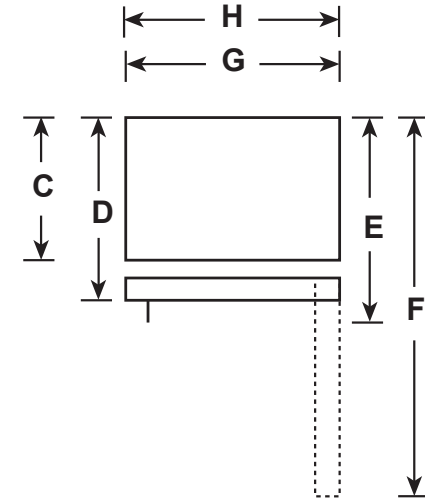
DIMENSIONS AND INSTALLATION INFORMATION (IN INCHES)

| | | |
|--------------------|--|--------|
| OVERALL DIMENSIONS | Height to top of hinge (in.) A | 64-3/4 |
| | Height to top of case (in.) B | 64-1/4 |
| | Case depth without door (in.) C | 26-3/4 |
| | Case depth less door handle (in.) D | 30-1/2 |
| | Case depth with door handle (in.) E | 32-5/8 |
| | Depth with fresh food door open 90° (in.) F | 57 |
| | Width (in.) G | 28 |
| | Width with door open 90° with door handle (in.) H | 30-5/8 |
| AIR CLEARANCES | Each side (in.) | 3/4 |
| | Top (in.) | 1 |
| | Back (in.) | 1 |

FRONT VIEW



TOP VIEW



For answers to your Monogram, GE Café™ Series, GE Profile™ Series or GE Appliances product questions, visit our website at geappliances.com or call GE Answer Center® Service, 800.626.2000.



Listed by
Underwriters
Laboratories



As an ENERGY STAR® partner, GE has determined that this product meets the ENERGY STAR guidelines for energy efficiency.

GIE17GSN

GE® ENERGY STAR® 16.6 Cu. Ft. Top-Freezer Refrigerator

FEATURES AND BENEFITS

#1 in Quality and Dependability – Among 14-18 cu. ft. refrigerators based on an independent study of property maintenance personnel.

Source: The Stevenson Company, 2016—Market research company with over 20 years of experience in the appliance industry

LED lighting – Find all your favorite foods under natural-looking light

Edge-to-edge glass shelves – Enjoy a polished look and easy-access cleaning with edge-to-edge shelves that extend the full width of the refrigerator

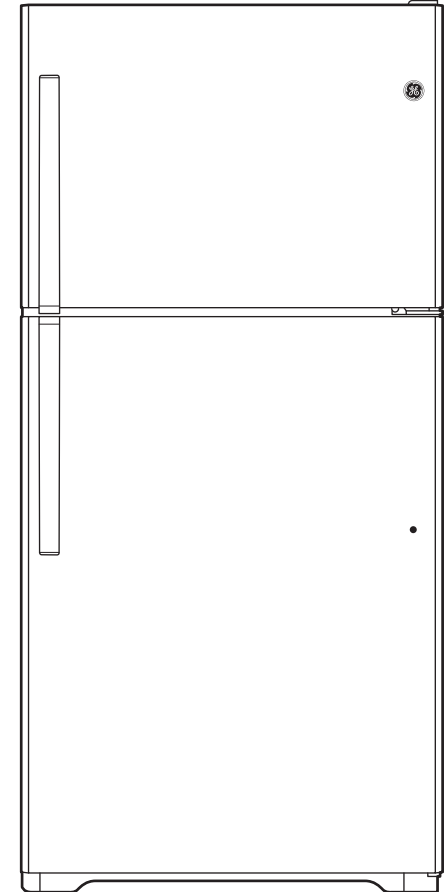
Sliding deli drawer – Enjoy greater flexibility in your fridge and easily create more space for tall items with an innovative drawer that can be positioned wherever you prefer

Factory-installed icemaker – Refrigerator comes ready to automatically create ice

Adjustable wire freezer shelf – Easily adjusts between two positions to accommodate items of all shapes and sizes

Upfront temperature controls – Easy-to-use controls regulate both fresh food and freezer sections

Model GIE17GSNRSS – Stainless steel



As an ENERGY STAR® partner, GE has determined that this product meets the ENERGY STAR guidelines for energy efficiency.

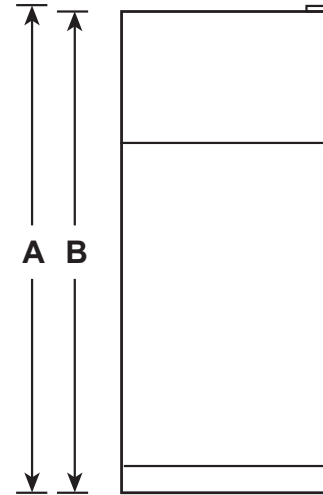
GIE18GCN/GSN/GTN

GE® ENERGY STAR® 17.5 Cu. Ft. Top-Freezer Refrigerator

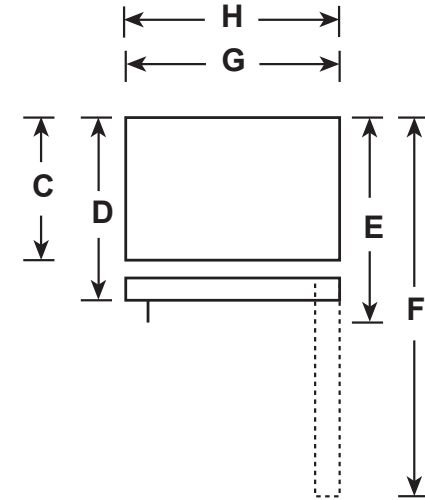
DIMENSIONS AND INSTALLATION INFORMATION (IN INCHES)

| | | |
|--------------------|---|--------|
| OVERALL DIMENSIONS | Height to top of hinge (in.) A | 67-3/8 |
| | Height to top of case (in.) B | 66-7/8 |
| | Case depth without door (in.) C | 26-3/4 |
| | Case depth less door handle (in.) D | 30-1/2 |
| | Case depth with door handle (in.) E | 32-5/8 |
| | Depth with fresh food door open 90° (in.) F | 57 |
| | Width (in.) G | 28 |
| | Width with door open 90° with door handle (in.) H | 30-5/8 |
| AIR CLEARANCES | Each side (in.) | 3/4 |
| | Top (in.) | 1 |
| | Back (in.) | 2 |

FRONT VIEW



TOP VIEW



For answers to your Monogram, GE Café™ Series, GE Profile™ Series or GE Appliances product questions, visit our website at geappliances.com or call GE Answer Center® Service, 800.626.2000.



Listed by
Underwriters
Laboratories



As an ENERGY STAR® partner, GE has determined that this product meets the ENERGY STAR guidelines for energy efficiency.

GIE18GCN/GSN/GTN

GE® ENERGY STAR® 17.5 Cu. Ft. Top-Freezer Refrigerator

FEATURES AND BENEFITS

#1 in Quality and Dependability – Among 14-18 cu. ft. refrigerators based on an independent study of property maintenance personnel.

Source: The Stevenson Company, 2016—Market research company with over 20 years of experience in the appliance industry

LED lighting – Find all your favorite foods under natural-looking light

Edge-to-edge glass shelves – Enjoy a polished look and easy-access cleaning with edge-to-edge shelves that extend the full width of the refrigerator

Sliding deli drawer – Enjoy greater flexibility in your fridge and easily create more space for tall items with an innovative drawer that can be positioned wherever you prefer

Adjustable wire freezer shelf – Easily adjusts between two positions to accommodate items of all shapes and sizes

Factory-installed icemaker – Refrigerator comes ready to automatically create ice

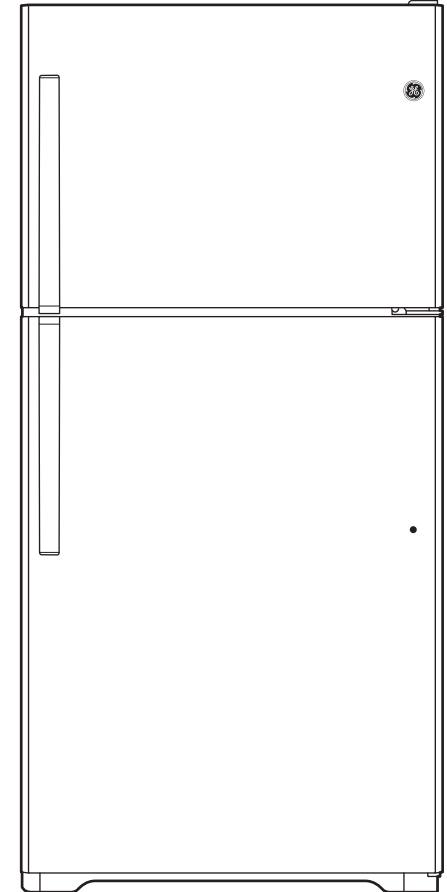
Upfront temperature controls – Easy-to-use controls regulate both fresh food and freezer sections

Model GIE18GCN RSA – Silver

Model GIE18GSN RSS – Stainless steel

Model GIE18GTN RWW – White

Model GIE18GTN RBB – Black



As an ENERGY STAR® partner, GE has determined that this product meets the ENERGY STAR guidelines for energy efficiency.

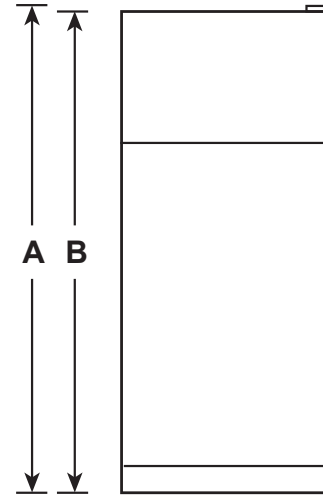
GTE18GMN/GSN/GTN

GE® ENERGY STAR® 17.5 Cu. Ft. Top-Freezer Refrigerator

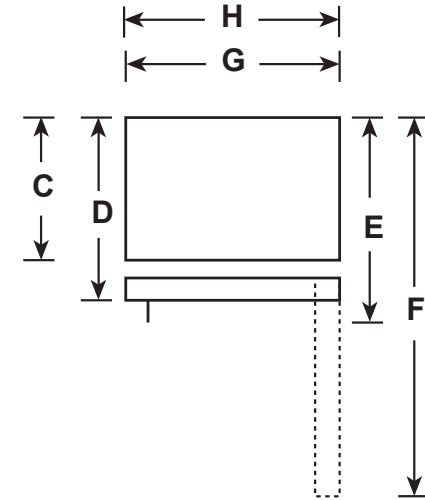
DIMENSIONS AND INSTALLATION INFORMATION (IN INCHES)

| | | |
|--------------------|---|--------|
| OVERALL DIMENSIONS | Height to top of hinge (in.) A | 67-3/8 |
| | Height to top of case (in.) B | 66-7/8 |
| | Case depth without door (in.) C | 26-3/4 |
| | Case depth less door handle (in.) D | 30-1/2 |
| | Case depth with door handle (in.) E | 32-5/8 |
| | Depth with fresh food door open 90° (in.) F | 57 |
| | Width (in.) G | 28 |
| | Width with door open 90° with door handle (in.) H | 30-5/8 |
| AIR CLEARANCES | Each side (in.) | 3/4 |
| | Top (in.) | 1 |
| | Back (in.) | 2 |

FRONT VIEW



TOP VIEW



For answers to your Monogram, GE Café™ Series, GE Profile™ Series or GE Appliances product questions, visit our website at geappliances.com or call GE Answer Center® Service, 800.626.2000.



Listed by
Underwriters
Laboratories



As an ENERGY STAR® partner, GE has determined that this product meets the ENERGY STAR guidelines for energy efficiency.

GTE18GMN/GSN/GTN

GE® ENERGY STAR® 17.5 Cu. Ft. Top-Freezer Refrigerator

FEATURES AND BENEFITS

#1 in Quality and Dependability – Among 14-18 cu. ft. refrigerators based on an independent study of property maintenance personnel.

Source: The Stevenson Company, 2016—Market research company with over 20 years of experience in the appliance industry

LED lighting – Find all your favorite foods under natural-looking light

Edge-to-edge glass shelves – Enjoy a polished look and easy-access cleaning with edge-to-edge shelves that extend the full width of the refrigerator

Sliding deli drawer – Enjoy greater flexibility in your fridge and easily create more space for tall items with an innovative drawer that can be positioned wherever you prefer

Adjustable wire freezer shelf – Easily adjusts between two positions to accommodate items of all shapes and sizes

Upfront temperature controls – Easy-to-use controls regulate both fresh food and freezer sections

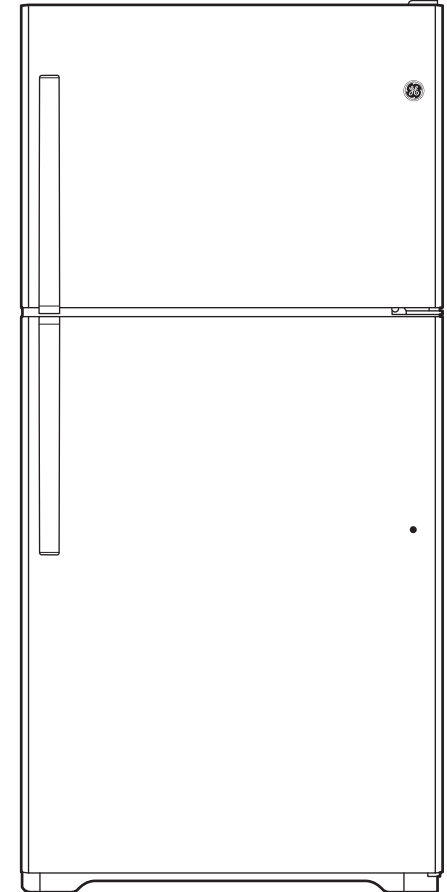
Model GTE18GMNRES – Slate

Model GTE18GSNRSS – Stainless steel

Model GTE18GTNRWW – White

Model GTE18GTNRBB – Black

Model GTE18GTNRCC – Bisque



As an ENERGY STAR® partner, GE has determined that this product meets the ENERGY STAR guidelines for energy efficiency.

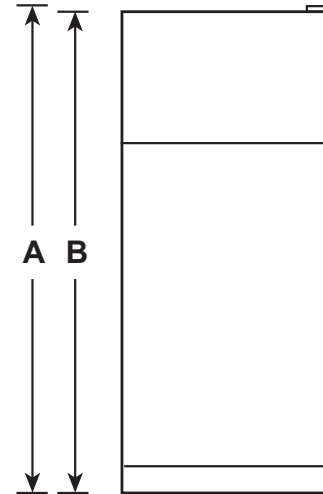
GIE19JSN

GE® ENERGY STAR® 19.2 Cu. Ft. Top-Freezer Refrigerator

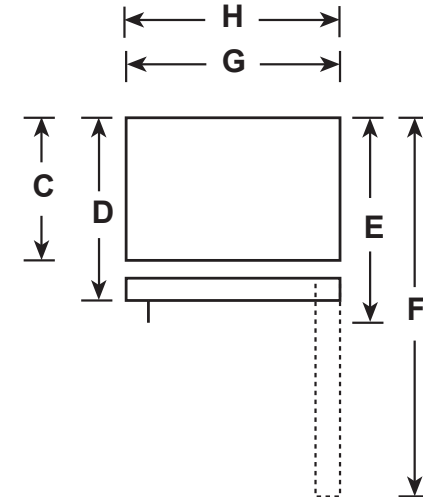
DIMENSIONS AND INSTALLATION INFORMATION (IN INCHES)

| | | |
|--------------------|--|--------|
| OVERALL DIMENSIONS | Height to top of hinge (in.) A | 66-3/8 |
| | Height to top of case (in.) B | 65-7/8 |
| | Case depth without door (in.) C | 28-3/8 |
| | Case depth less door handle (in.) D | 32-1/8 |
| | Case depth with door handle (in.) E | 34-1/2 |
| | Depth with fresh food door open 90° (in.) F | 60-1/2 |
| | Width (in.) G | 29-3/4 |
| | Width with door open 90° with door handle (in.) H | 32-3/8 |
| AIR CLEARANCES | Each side (in.) | 1/8 |
| | Top (in.) | 1 |
| | Back (in.) | 2 |

FRONT VIEW



TOP VIEW



For answers to your Monogram, GE Cafe™, GE Profile™ or GE Appliances product questions, visit our website at geappliances.com or call GE Answer Center® Service, 800.626.2000.



Listed by
Underwriters
Laboratories



As an ENERGY STAR® partner, GE has determined that this product meets the ENERGY STAR guidelines for energy efficiency.

GIE19JSN

GE® ENERGY STAR® 19.2 Cu. Ft. Top-Freezer Refrigerator

FEATURES AND BENEFITS

Premium inner door – Enjoy greater flexibility and organizational options with modular bins right on the door

LED lighting – Find all your favorite foods under natural-looking light

Edge-to-edge glass shelves – Enjoy a polished look and easy-access cleaning with edge-to-edge shelves that extend the full width of the refrigerator

Sliding deli drawer – Enjoy greater flexibility in your fridge and easily create more space for tall items with an innovative drawer that can be positioned wherever you prefer

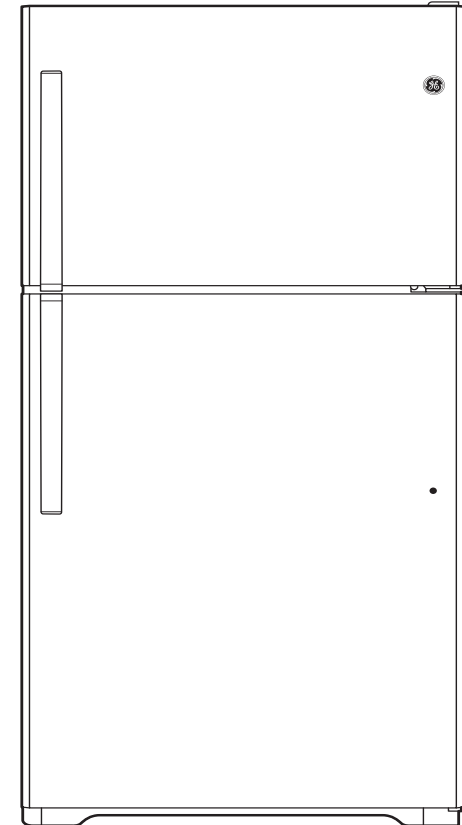
Adjustable wire freezer shelf – Easily adjusts between two positions to accommodate items of all shapes and sizes

ADA-compliant – Designed for easy operation and access

Factory-installed icemaker – Refrigerator comes ready to automatically create ice

Upfront temperature controls – Easy-to-use controls regulate both fresh food and freezer sections

Model GIE19JSNSS – Stainless steel



As an ENERGY STAR® partner, GE has determined that this product meets the ENERGY STAR guidelines for energy efficiency.

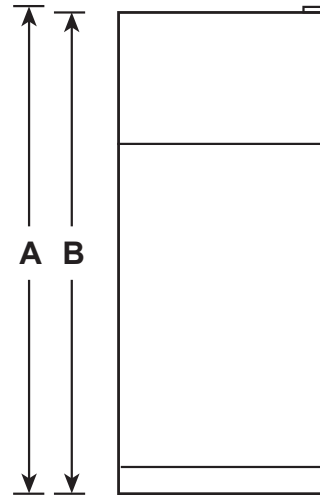
GTE19JSN/JTN

GE® ENERGY STAR® 19.2 Cu. Ft. Top-Freezer Refrigerator

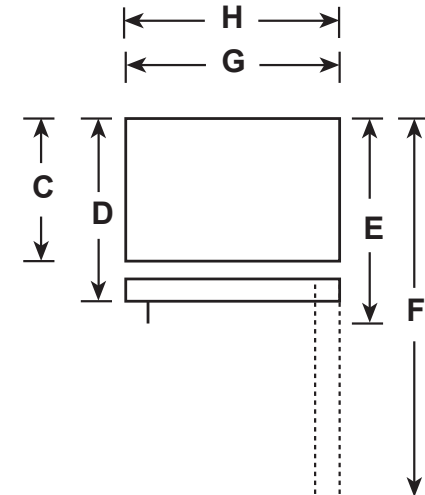
DIMENSIONS AND INSTALLATION INFORMATION (IN INCHES)

| | | |
|--------------------|--|--------|
| OVERALL DIMENSIONS | Height to top of hinge (in.) A | 66-3/8 |
| | Height to top of case (in.) B | 65-7/8 |
| | Case depth without door (in.) C | 28-3/8 |
| | Case depth less door handle (in.) D | 32-1/8 |
| | Case depth with door handle (in.) E | 34-1/2 |
| | Depth with fresh food door open 90° (in.) F | 60-1/2 |
| | Width (in.) G | 29-3/4 |
| | Width with door open 90° with door handle (in.) H | 32-3/8 |
| AIR CLEARANCES | Each side (in.) | 1/8 |
| | Top (in.) | 1 |
| | Back (in.) | 2 |

FRONT VIEW



TOP VIEW



For answers to your Monogram, GE Cafe™, GE Profile™ or GE Appliances product questions, visit our website at geappliances.com or call GE Answer Center® Service, 800.626.2000.



Listed by
Underwriters
Laboratories



As an ENERGY STAR® partner, GE has determined that this product meets the ENERGY STAR guidelines for energy efficiency.

GTE19JSN/JTN

GE® ENERGY STAR® 19.2 Cu. Ft. Top-Freezer Refrigerator

FEATURES AND BENEFITS

Total Capacity: 19.2 Cu. Ft.

FF Capacity: 13.59 Cu. Ft.

FZ Capacity: 5.57 Cu. Ft.

ADA Compliant: Yes

Energy Star: Yes

Door Swing: Reversible Hinges

Door Exterior Style: Textured

Shelves: Glass

Icemaker: Icemaker Ready

Control Type: Upfront Temp Controls

Internal Lighting: LED

Colors Available: Stainless steel, Black, White

Case Color: Dark Gray on the Stainless models, Color Matched on the Color models

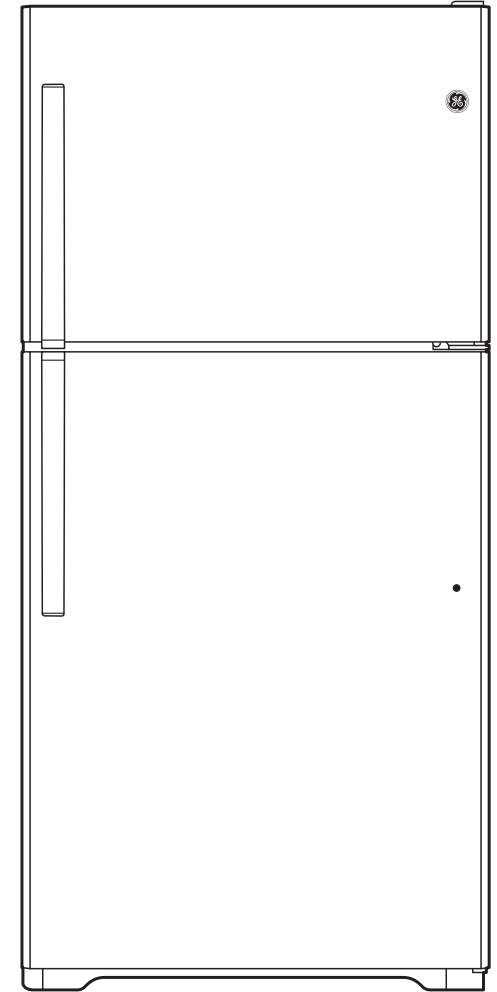
Claims & Certifications: ADA Compliant, ENERGY STAR® Qualified, Made in America

Warranty: Limited 1-year entire appliance

Model GTE19JSNRSS – Stainless steel

Model GTE19JTNRBB – Black

Model GTE19JTNRWW – White



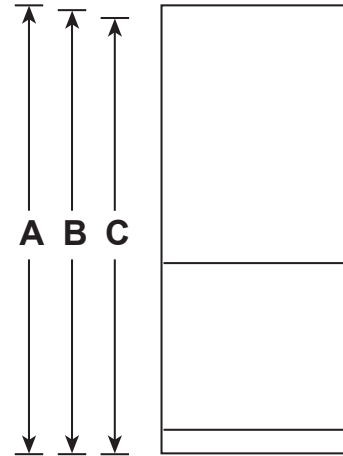
GDE21EMK/ESK

GE Series ENERGY STAR® 20.9 Cu. Ft. Bottom-Freezer Refrigerator

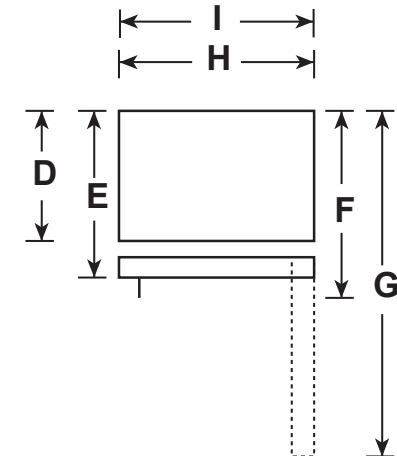
DIMENSIONS AND INSTALLATION INFORMATION (IN INCHES)

| | | |
|--------------------|---|--------|
| OVERALL DIMENSIONS | Height to top of door (in.) A | 69-7/8 |
| | Height to top of hinge (in.) B | 69-3/4 |
| | Height to top of case (in.) C | 68-5/8 |
| | Case depth without door (in.) D | 29-3/4 |
| | Case depth less door handle (in.) E | 34-1/8 |
| | Case depth with door handle (in.) F | 36-5/8 |
| | Depth with fresh food door open 90° (in.) G | 61-1/4 |
| | Width (in.) H | 29-3/4 |
| | Width with door open 90° inc. door handle (in.) I | 33-7/8 |
| AIR CLEARANCES | Each side (in.) | 1/8 |
| | Top (in.) | 1 |
| | Back (in.) | 2 |

FRONT VIEW



TOP VIEW



For answers to your Monogram, GE Café™ Series, GE Profile™ Series or GE Appliances product questions, visit our website at geappliances.com or call GE Answer Center® Service, 800.626.2000.



Listed by
Underwriters
Laboratories



As an ENERGY STAR® partner, GE has determined that this product meets the ENERGY STAR guidelines for energy efficiency.

GDE21EMK/ESK

GE Series ENERGY STAR® 20.9 Cu. Ft. Bottom-Freezer Refrigerator

FEATURES AND BENEFITS

30" wide

LED lighting – Find exactly what you’ve been looking for under crisp, clear lighting

Sliding snack drawer – Make more space, exactly where you need it, with a drawer that moves across the entire width of the fresh-food section

Factory-installed icemaker – Refrigerator comes ready to automatically create ice

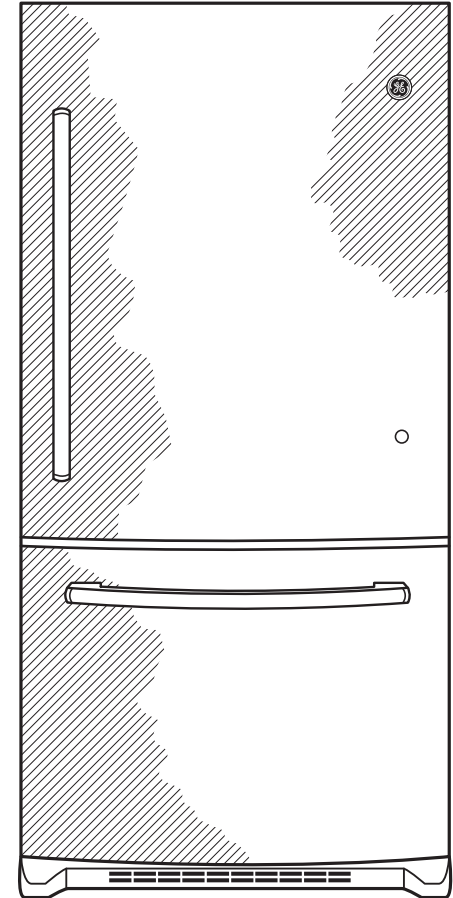
Advanced water filtration uses MWF replacement filter – Reduces trace pharmaceuticals from water and ice* (* Removes 98% of ibuprofen, atenolol, fluoxetine, progesterone and trimethoprim. These pharmaceuticals are not necessarily in all users’ water)

Upfront temperature controls with actual temperature display – Easy-to-reach controls display accurate temperatures

Turbo Cool setting – Drops interior temperature to maintain freshness after frequent openings

Model GDE21ESKSS – Stainless steel

Model GDE21EMKES – Slate



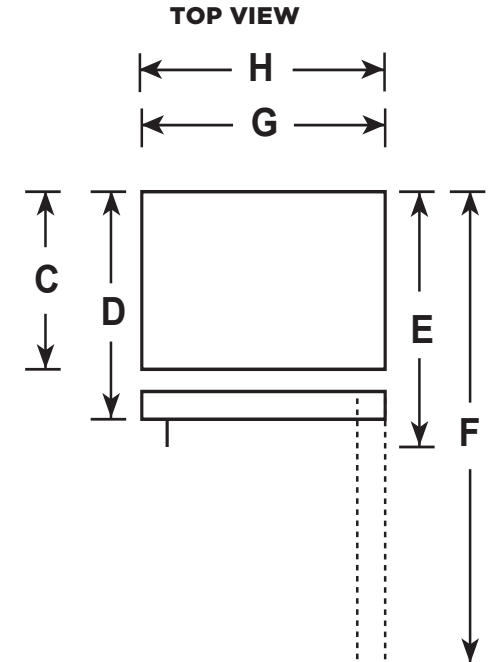
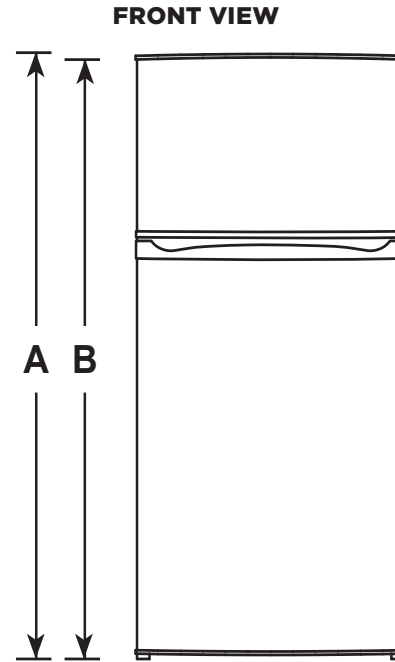
As an ENERGY STAR® partner, GE has determined that this product meets the ENERGY STAR guidelines for energy efficiency.

GPE12FGK/FSK

GE® Series ENERGY STAR® 11.6 Cu. Ft. Top-Freezer Refrigerator

DIMENSIONS AND INSTALLATION INFORMATION (IN INCHES)

| | | |
|--------------------|--|--------|
| OVERALL DIMENSIONS | Height to top of hinge (in.) A | 59-7/8 |
| | Height to top of case (in.) B | 59-3/8 |
| | Case depth without door (in.) C | 25-5/8 |
| | Case depth less door handle (in.) D | 28-5/8 |
| | Case depth with door handle (in.) E | 28-5/8 |
| | Depth with fresh food door open 90° (in.) F | 50-5/8 |
| | Width (in.) G | 24 |
| | Width with door open 90° with door handle (in.) H | 25-1/8 |
| AIR CLEARANCES | Each side (in.) | 1 |
| | Top (in.) | 4 |
| | Back (in.) | 3 |



For answers to your Monogram, GE Café™ Series, GE Profile™ Series or GE Appliances product questions, visit our website at geappliances.com or call GE Answer Center® Service, 800.626.2000.



Listed by Underwriters Laboratories



GPE12FGK/FSK

GE® Series ENERGY STAR® 11.6 Cu. Ft. Top-Freezer Refrigerator

FEATURES AND BENEFITS

11.6 cu. ft. capacity ENERGY STAR® qualified – Provides less energy waste and lower utility bills

ADA compliant – Designed for easy operation and access

Equipped for optional icemaker – Easily accommodates the installation of an icemaker

Upfront electronic temperature controls – Controls are located in an easy-to-reach position

LED interior lighting – Spotlights foods inside making them easy to see

3 glass fresh-food shelves – 2 are adjustable spillproof holding up to 12 oz. of spilled liquids for easy cleanup and adjust to provide additional food-storage options

2 clear freezer door bins – Transparent shelves on the door make finding items convenient

2 clear crisper drawers – Transparent drawers make finding your favorite items quick and easy

Wire freezer step-shelf – Sturdy shelving provides additional storage for frozen foods

Recessed handles – A streamlined design offers a clean appearance

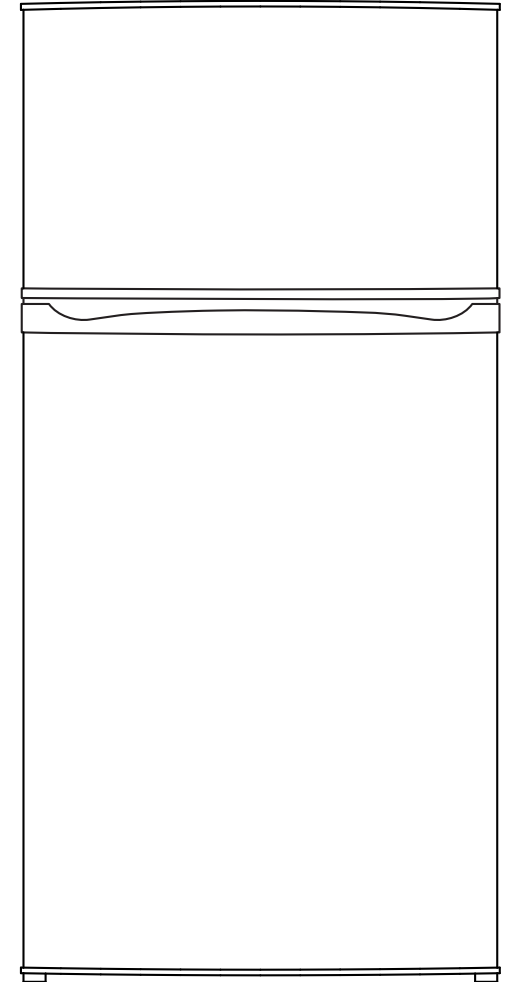
Reversible doors – Doors can be installed to open from the right or left, depending on space configuration

Removable door gaskets – Easily keep the refrigerator clean and ensure a good temperature seal

Model GPE12FGKWW – White

Model GPE12FGKBB – Black

Model GPE12FSKSB – Stainless steel



Listed by
Underwriters
Laboratories





Ranges



Model#: JB645RKSS

Model#: JB258RMSS

Model#: JGBS60REKSS

Model#: JB480SMSS

Model#: JBS160DMBB

GE® 30" Free-Standing Electric Range

GE® 30" Free-Standing Self-Clean Electric Range

GE® 30" Free-Standing Gas Range

GE 30" Free-standing Electric Radiant Smooth Cooktop Range

GE® 30" Free-Standing Electric Range

Approx Dimensions (HxWxD):
47 H x 29 7/8 W x 28 D

Approx Dimensions (HxWxD):
47 H x 30 W x 28 D

Approx Dimensions (HxWxD):
46 1/4 H x 30 W x 28 3/4 D

Approx Dimensions (HxWxD):
47 H x 30 W x 29 D

Approx Dimensions (HxWxD):
47 H x 30 W x 29 D

- Two 9" / 6" Power Boil elements-Two powerful elements boil water 25% faster than standard GE elements and adjust to fit cookware
- Self-clean oven-This self-cleaning oven cleans the oven cavity without the need for scrubbing or chemical cleaners
- Dual-element Bake-Upper and lower elements produce even heat and great results
- Ceramic glass cooktop-Smooth cooktop easily wipes clean

- 5.3 cu. ft. oven capacity-Enough room to cook an entire meal at once
- Self-clean oven-Cleans the oven cavity without the need for scrubbing
- Sensi-temp technology-Enjoy the same cooking power as a traditional coil with an added safety feature that meets the new UL858 Household Electric Ranges Standard for Safety
- Dual-element Bake-Upper and lower elements produce even heat and great results

- 13,000 BTU burner-Delivers a wide range of heat output ideal for most cooking requirements
- Precise Simmer burner-Delicate foods don't burn with low, even heat
- Sealed cooktop burners-Contains spills and make cleaning quick and easy
- Black matte steel grates-Enjoy a high-end look with a durable, matte coating

- Front controls-Easily-accessible controls make it simple to control the stovetop and oven
- 5.0 cu. ft. oven capacity-Cook more dishes at once
- Self-clean oven-Cleans the oven cavity without the need for scrubbing
- Dual-element Bake-Upper and lower elements produce even heat and great results

- 5.0 cu. ft. oven capacity-Cook more dishes at once
- Standard clean oven-Smooth surface and rounded corners make clean-up quick and easy
- Sensi-temp technology-Enjoy the same cooking power as a traditional coil with an added safety feature that meets the new UL858 Household Electric Ranges Standard for Safety
- Dual-element Bake-Upper and lower elements produce even heat and great results

Also Available in:

Also Available in:

Also Available in:

Also Available in:

JB645FKDS - Fingerprint Resistant Black Slate

JB258DMCC - Bisque

JB480SMSS - Stainless Steel/Black

JBS160GMSA - Silver

JB645EKES - Fingerprint Resistant Slate

JB258DMWW - White

JB480DMBB - Black

JBS160DMBB - Black

JB645RKSS - Stainless Steel/Black

JB258GMSA - Silver

JB480DMWW - White

JBS160DMWW - White

JB645DKWW - White

JB258RMSS - Stainless Steel/Black

JB258DMBB - Black

JB645DKBB - Black

JBS160DMCC - Bisque

JB645EK/RK/FK

GE® Series 30" Free-Standing Electric Range

DIMENSIONS AND INSTALLATION INFORMATION (IN INCHES)

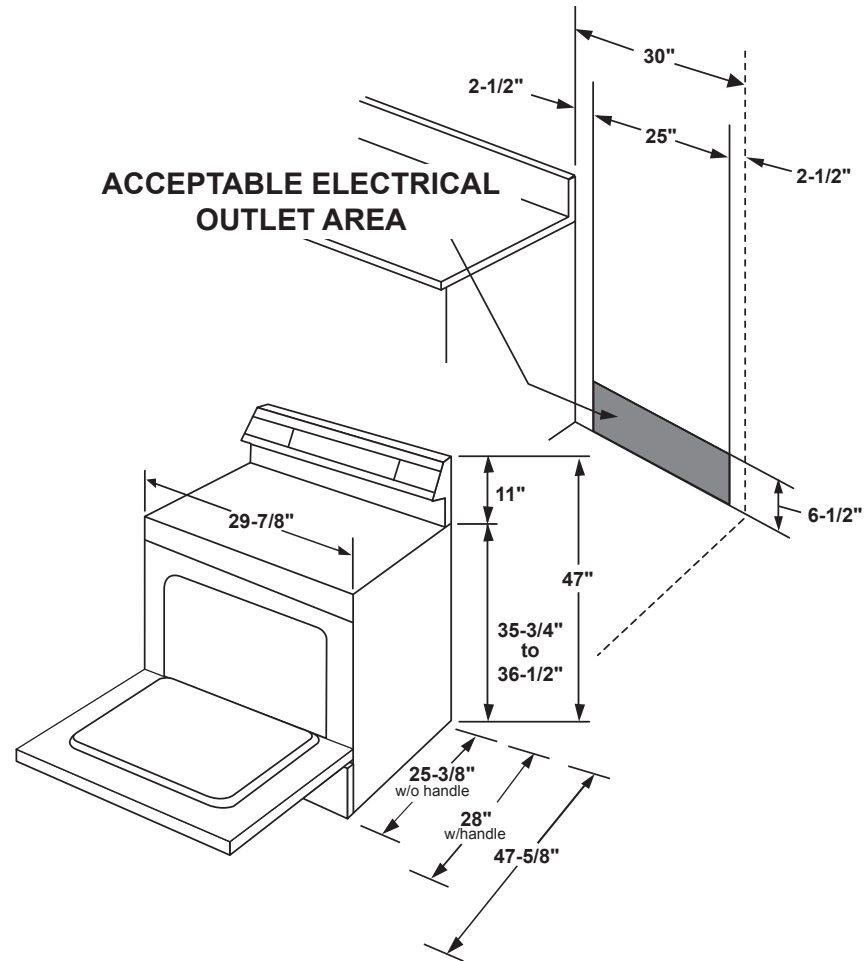
RECEPTACLE LOCATIONS: Locally approved flexible service cord or conduit must be used because terminals are not accessible after range installation. See shaded area in drawing for location of electrical outlet box. Recommended outlet locations allow range to be installed directly against wall.

NOTE: This appliance has been approved for 0" spacing to adjacent surfaces above the cooktop. However, a 6" minimum spacing to surfaces less than 15" above the cooktop and adjacent cabinet is recommended to reduce exposure to steam, grease splatter and heat.

INSTALLATION INFORMATION: Before installing, consult installation instructions for current dimensional data and additional requirements.

| KW RATING | |
|--------------|----------|
| 240V | 12.1 |
| 208V | 9.1 |
| BREAKER SIZE | |
| 240V | 40 Amps† |
| 208V | 40 Amps† |

†NOTE: Check local codes for required breaker size.



For answers to your Monogram, GE Café™, GE Profile™ or GE Appliances product questions, visit our website at geappliances.com or call GE Answer Center® Service, 800.626.2000.



All GE Appliances ranges are equipped with an Anti-Tip device. The installation of this device is an important, required step in the installation of the range.



Listed by Underwriters Laboratories

Specification Revised 2/22

JB645EK/RK/FK

GE® Series 30" Free-Standing Electric Range

FEATURES AND BENEFITS

Two 9 /6" Power Boil elements – Two powerful elements boil water 25% faster than standard GE elements and adjust to fit cookware

Self-clean oven – Cleans the oven cavity without the need for scrubbing

Dual-element Bake – Upper and lower elements produce even heat and great results

Ceramic glass cooktop – Smooth cooktop easily wipes clean

Removable full-width storage drawer – Store cookware or kitchen accessories

5.3 cu. ft. oven capacity – Enough room to cook an entire meal at once

Sabbath Mode

Model JB645RKSS – Stainless steel

Model JB645EKES – Slate

Model JB645FKDS – Black slate



For answers to your Monogram, GE Café™, GE Profile™ or GE Appliances product questions, visit our website at geappliances.com or call GE Answer Center® Service, 800.626.2000.

Specification Revised 2/22

JB258DM/GM/RM

GE® 30" Free-Standing Self-Clean Electric Range

DIMENSIONS AND INSTALLATION INFORMATION (IN INCHES)

RECEPTACLE LOCATIONS

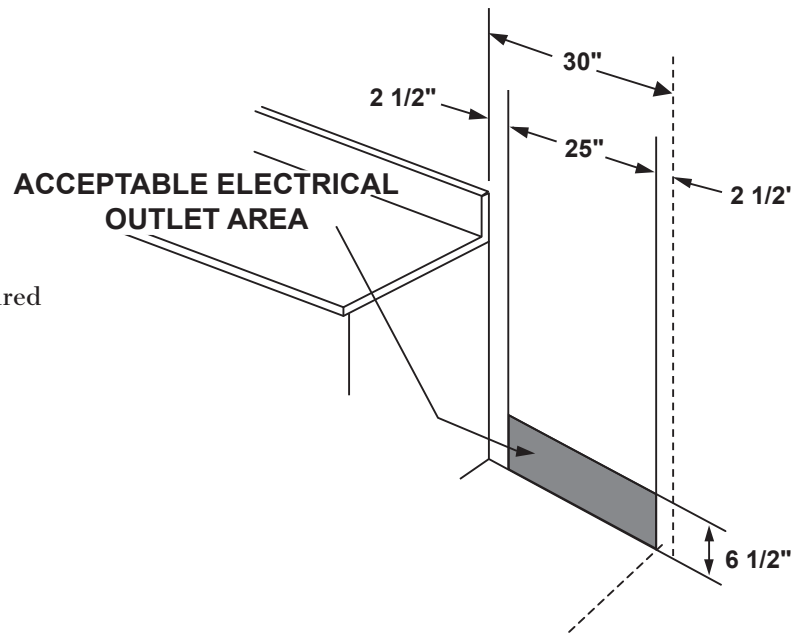
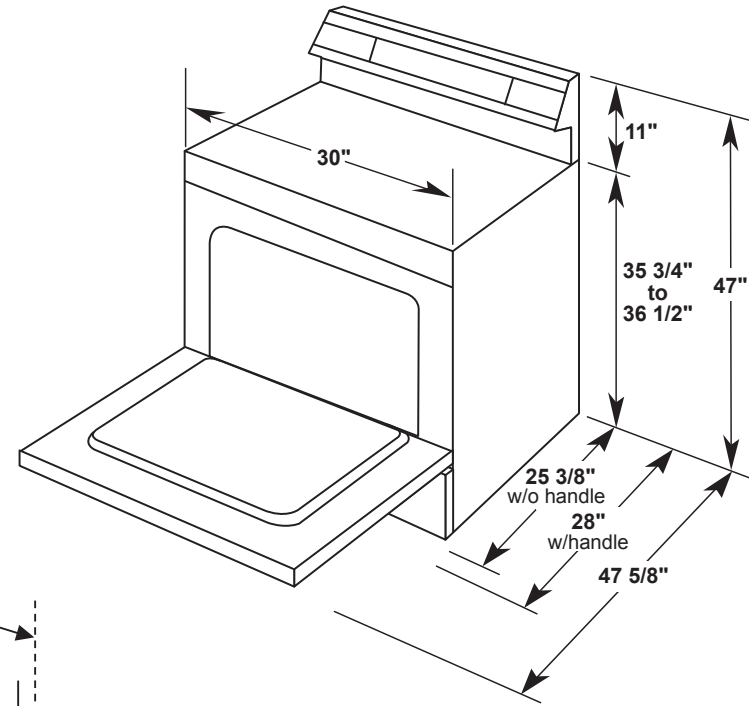
Locally approved flexible service cord or conduit must be used because terminals are not accessible after range installation. See shaded area in drawing for location of electrical outlet box. Recommended outlet locations allow range to be installed directly against wall.

NOTE: This appliance has been approved for 0" spacing to adjacent surfaces above the cooktop. However, a 6" minimum spacing to surfaces less than 15" above the cooktop and adjacent cabinet is recommended to reduce exposure to steam, grease splatter and heat.

INSTALLATION INFORMATION: Before installing, consult installation instructions for current dimensional data and additional requirements.

| KW RATING | |
|--------------|----------|
| 240V | 12.1 |
| 208V | 9.1 |
| BREAKER SIZE | |
| 240V | 40 Amps† |
| 208V | 40 Amps† |

†**NOTE:** Check local codes for required breaker size.



For answers to your Monogram, GE Café™, GE Profile™ or GE Appliances product questions, visit our website at geappliances.com or call GE Answer Center® Service, 800.626.2000.



All GE Appliances ranges are equipped with an Anti-Tip device. The installation of this device is an important, required step in the installation of the range.



Specification Revised 1/22

JB258DM/GM/RM

GE® 30" Free-Standing Self-Clean Electric Range

FEATURES AND BENEFITS

5.3 cu. ft. oven capacity – Enough room to cook an entire meal at once

Self-clean oven – Cleans the oven cavity without the need for scrubbing

Sensi-Temp Technology – Enjoy the same cooking power as a traditional coil with an added safety feature that meets new UL858 Household Electric Ranges Standard for Safety

Dual-element Bake – Upper and lower elements produce even heat and great results

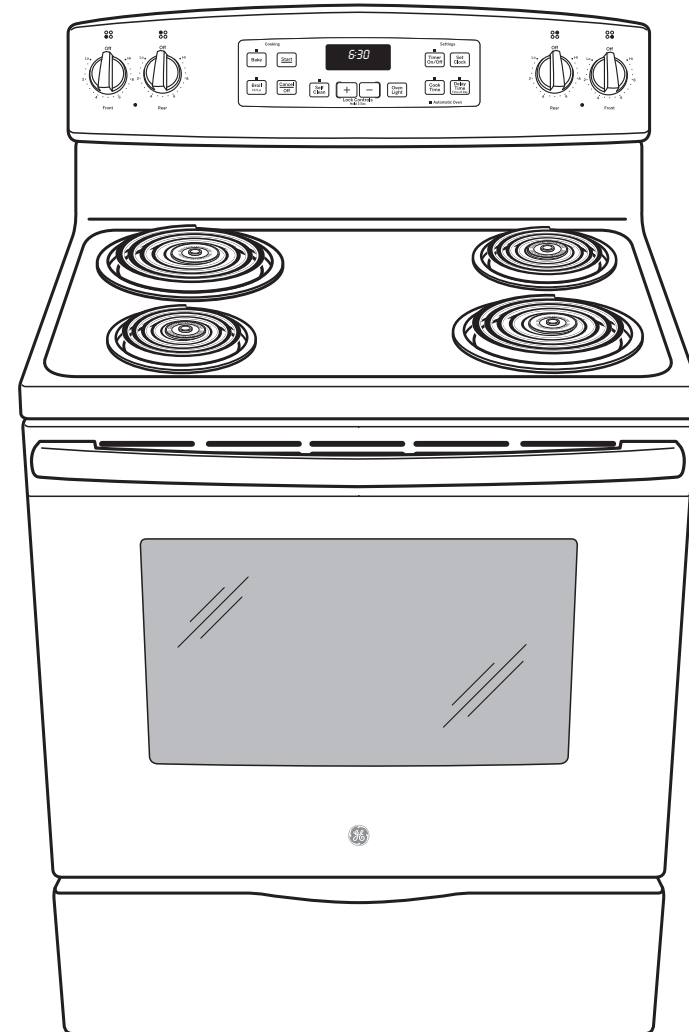
Removable full-width storage drawer – Store cookware or kitchen accessories

Sabbath Mode

Model JB258DMBB – Black

Model JB258DMWW – White

Model JB258RMSS – Stainless steel



JGBS60REK

GE® 30" Free-Standing Gas Range

FEATURES AND BENEFITS

13,000 BTU burner – Delivers a wide range of heat output ideal for most cooking requirements

Precise Simmer burner – Delicate foods don't burn with low, even heat

Sealed cooktop burners – Contain spills and make cleaning quick and easy

Black matte steel grates – Enjoy a high-end look with a durable, matte coating

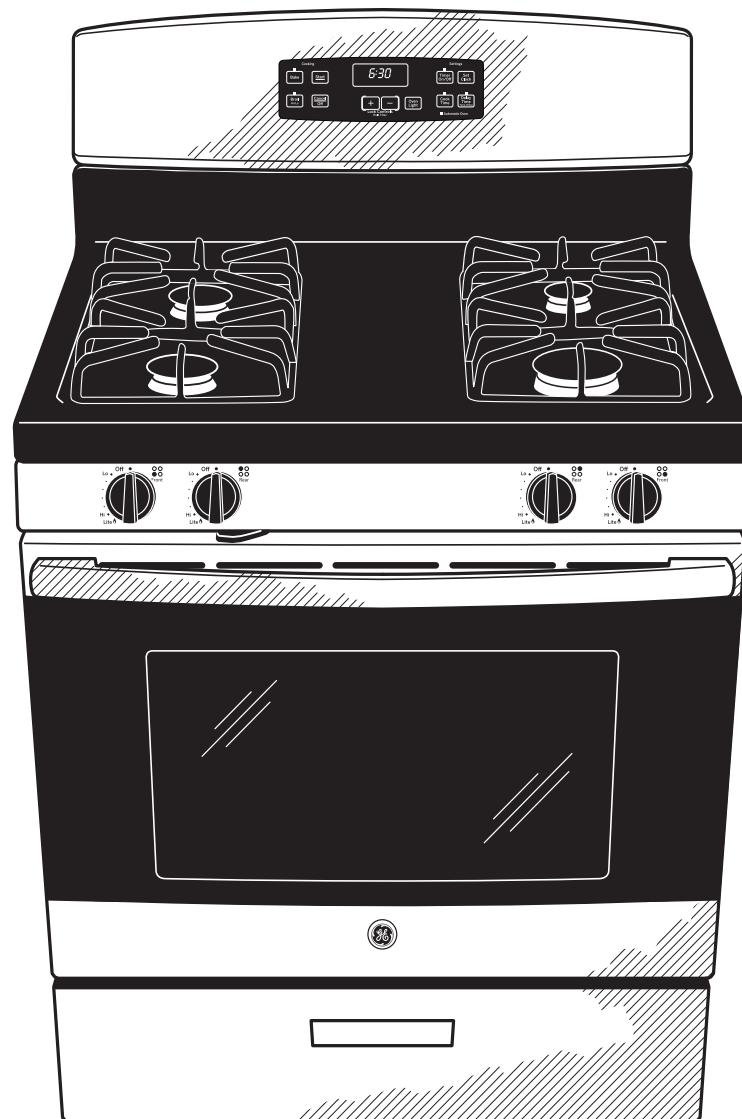
Standard clean oven – Smooth surface makes cleaning by hand easier

4.8 cu. ft. oven capacity – Enough room to cook an entire meal at once

Flexible broiling - Use any sized pan under the broiler for maximum broil flexibility

Sabbath Mode

Model JGBS60REKSS – Stainless steel



JB480SM

GE® Free-standing Electric Radiant Smooth Cooktop Range

DIMENSIONS AND INSTALLATION INFORMATION (IN INCHES)

RECEPTACLE LOCATIONS

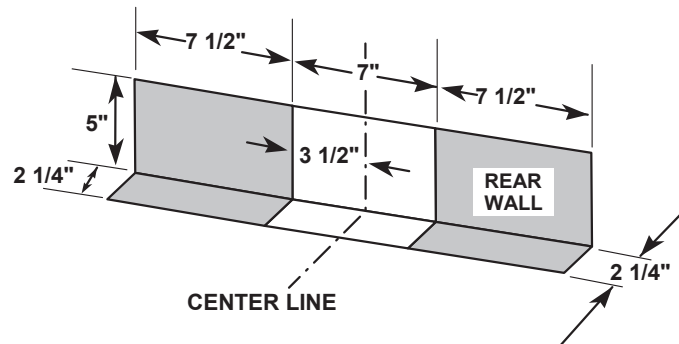
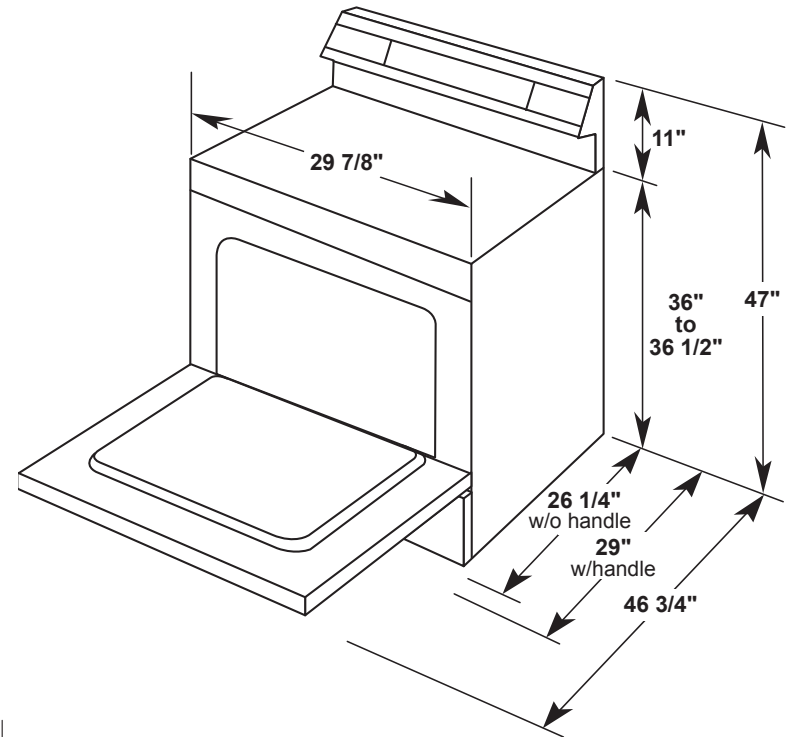
Locally approved flexible service cord or conduit must be used because terminals are not accessible after range installation. See shaded area in drawing for location of electrical outlet box. Recommended outlet locations allow range to be installed directly against wall.

NOTE: This appliance has been approved for 0" spacing to adjacent surfaces above the cooktop. However, a 6" minimum spacing to surfaces less than 15" above the cooktop and adjacent cabinet is recommended to reduce exposure to steam, grease splatter and heat.

INSTALLATION INFORMATION: Before installing, consult installation instructions for current dimensional data and additional requirements.

| KW RATING | |
|--------------|----------|
| 240V | 10.5 |
| 208V | 7.9 |
| BREAKER SIZE | |
| 240V | 40 Amps† |
| 208V | 40 Amps† |

†**NOTE:** Check local codes for required breaker size.



For answers to your Monogram, GE Café™ Series, GE Profile™ Series or GE Appliances product questions, visit our website at geappliances.com or call GE Answer Center® Service, 800.626.2000.



All GE Appliances ranges are equipped with an Anti-Tip device. The installation of this device is an important, required step in the installation of the range.

JB480SM

GE® Free-standing Electric Radiant Smooth Cooktop Range

FEATURES AND BENEFITS

Front controls – Minimize need to reach

5.0 cu. ft. oven capacity – Cook more dishes at once

Self-clean oven – Cleans the oven cavity without the need for scrubbing

Dual-element Bake – Upper and lower elements produce even heat and great results

Removable full-width storage drawer – Store cookware or kitchen accessories

Model JB480SMSS – Stainless steel



JBS160DM/GM

GE® 30" Free-Standing Electric Range

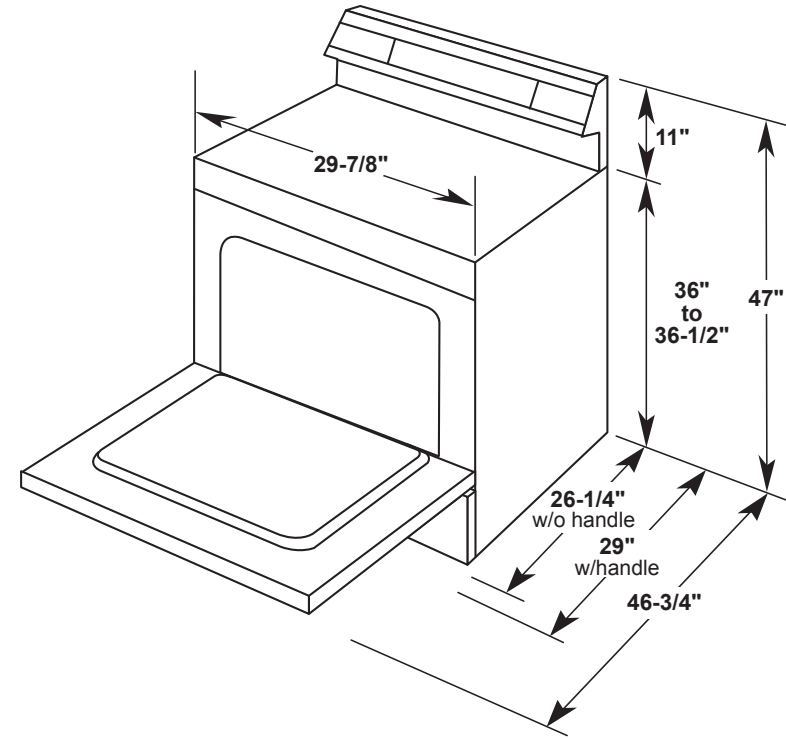
DIMENSIONS AND INSTALLATION INFORMATION (IN INCHES)

RECEPTACLE LOCATIONS

Locally approved flexible service cord or conduit must be used because terminals are not accessible after range installation. See shaded area in drawing for location of electrical outlet box. Recommended outlet locations allow range to be installed directly against wall.

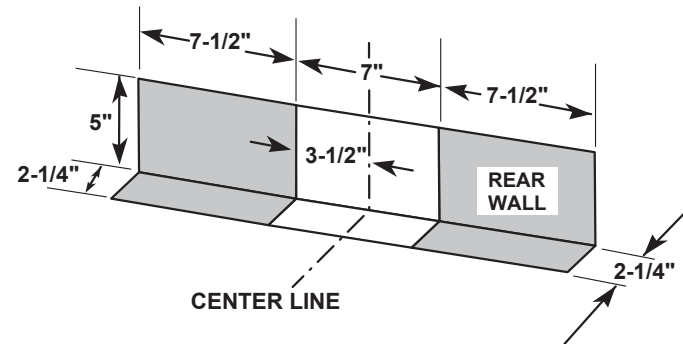
NOTE: This appliance has been approved for 0" spacing to adjacent surfaces above the cooktop. However, a 6" minimum spacing to surfaces less than 15" above the cooktop and adjacent cabinet is recommended to reduce exposure to steam, grease splatter and heat.

INSTALLATION INFORMATION: Before installing, consult installation instructions for current dimensional data and additional requirements.



| KW RATING | |
|--------------|----------|
| 240V | 10.2 |
| 208V | 7.6 |
| BREAKER SIZE | |
| 240V | 40 Amps† |
| 208V | 40 Amps† |

†**NOTE:** Check local codes for required breaker size.



For answers to your Monogram, GE Café™, GE Profile™ or GE Appliances product questions, visit our website at geappliances.com or call GE Answer Center® Service, 800.626.2000.



All GE Appliances ranges are equipped with an Anti-Tip device. The installation of this device is an important, required step in the installation of the range.

JBS160DM/GM

GE® 30" Free-Standing Electric Range

FEATURES AND BENEFITS

5.0 cu. ft. oven capacity – Cook more dishes at once

Standard clean oven – Smooth surface and rounded corners make clean-up quick and easy

Sensi-Temp Technology – Enjoy the same cooking power as a traditional coil with an added safety feature that meets new UL858 Household Electric Ranges Standard for Safety

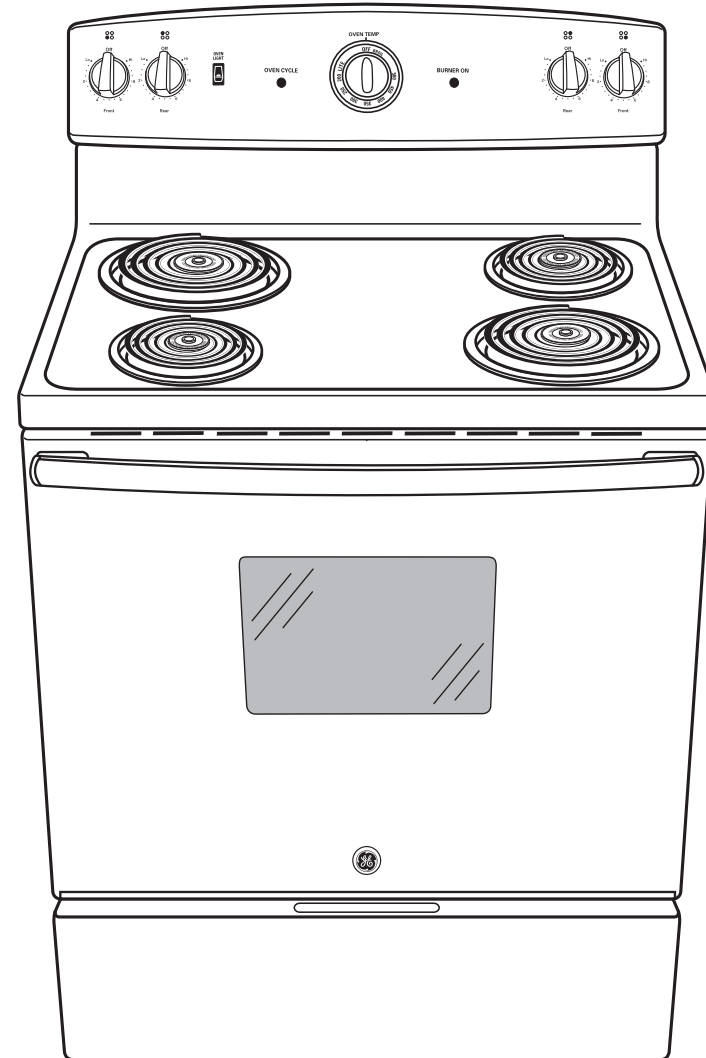
Dual-element Bake – Upper and lower elements produce even heat and great results

Removable full-width storage drawer – Store cookware or kitchen accessories

Sabbath Mode

Model JBS160DMBB – Black

Model JBS160DMWW – White





Dishwashers



Model#: GDT225SSLSS

GE® ADA Compliant Stainless Steel Interior Dishwasher with Sanitize Cycle

Approx Dimensions (HxWxD):
32 1/4 H x 23 3/4 W x 23 1/2 D

- ADA Compliant with Low-Profile Installation-Great for 34" counter top heights and raised subfloors
- 3-Level Wash-Expect exceptionally clean table-ready dishes with powerful wash arms
- Autosense Cycle-A beam of light measures soil levels and water temperature to adjust to the ideal cycle time
- Piranha™ hard food disposer with removable filter-To ensure consistently clean items, this stainless steel blade rotates at 3,600 RPM to pulverize food particles and helps to prevent large particles from clogging the wash arms

Also Available in:

- GDT225SGLWW - White
- GDT225SSLSS - Stainless Steel
- GDT225SGLBB - Black



Model#: PDT145SSLSS

GE Profile™ 18" ADA Compliant Stainless Steel Interior Dishwasher with Sanitize

Approx Dimensions (HxWxD):
32 1/2 H x 17 3/4 W x 22 1/2 D

- ADA Compliant with Low-Profile Installation-Great for 34" counter top heights and raised subfloors
- 3-Level Wash-Expect exceptionally clean table-ready dishes with powerful wash arms
- Autosense Cycle-A beam of light measures soil levels and water temperature to adjust to the ideal cycle time
- Piranha™ hard food disposer with removable filter-To ensure consistently clean items, this stainless steel blade rotates at 3,600 RPM to pulverize food particles and helps to prevent large particles from clogging the wash arms

Also Available in:

- PDT145SGLWW - White
- PDT145SSLSS - Stainless Steel
- PDT145SGLBB - Black



Model#: GDF511PSRSS

GE® Dishwasher with Front Controls with Power Cord

Approx Dimensions (HxWxD):
33 3/8 H x 23 3/4 W x 24 D

- Reliable Performance-This American made dishwasher is durable, long-lasting and dependable. Its consistent performance will give you totally clean and dry dishes with every cycle
- Dry Boost™-Dry Boost outperforms standard heated dry dishwashers by getting hard-to-dry items like plastics up to 3 times drier.*Compared to heated dry option
- Water Leak Sensor-This dishwasher features Active Flood Protect, to prevents potential overflows for greater peace of mind. A water sensor alarm cancels the wash cycle before a flood may occur and alerts you with blinking lights and an alert tone
- Convenient Quick Connect Power Cord-Making installation simple, this easy-to-connect cord is already attached to the dishwasher, so it's ready to plug straight into the power source

Also Available in:

- GDF511PGRWW - White
- GDF511PSRSS - Stainless Steel
- GDF511PGRBB - Black



Model#: GDF510PSRSS

GE® Dishwasher with Front Controls

Approx Dimensions (HxWxD):
33 3/8 H x 23 3/4 W x 24 D

- Reliable Performance-This American made dishwasher is durable, long-lasting and dependable. Its consistent performance will give you totally clean and dry dishes with every cycle
- Dry Boost™-Dry Boost outperforms standard heated dry dishwashers by getting hard-to-dry items like plastics up to 3 times drier.*Compared to heated dry option
- Water Leak Sensor-This dishwasher features Active Flood Protect, to prevents potential overflows for greater peace of mind. A water sensor alarm cancels the wash cycle before a flood may occur and alerts you with blinking lights and an alert tone
- Reliable Dishwasher Performance-This reliable dishwasher is built to provide years of dependable performance, so you know your dishes will be clean and dry every time

Also Available in:

- GDF510PGRWW - White
- GDF510PSRSS - Stainless Steel
- GDF510PGRBB - Black

GDT225SGL/SSL

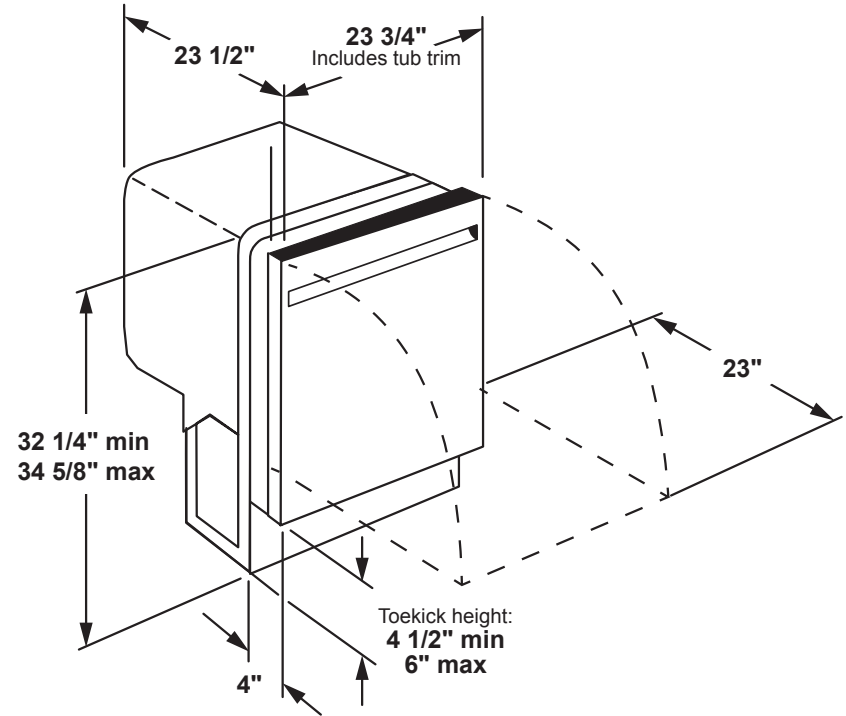
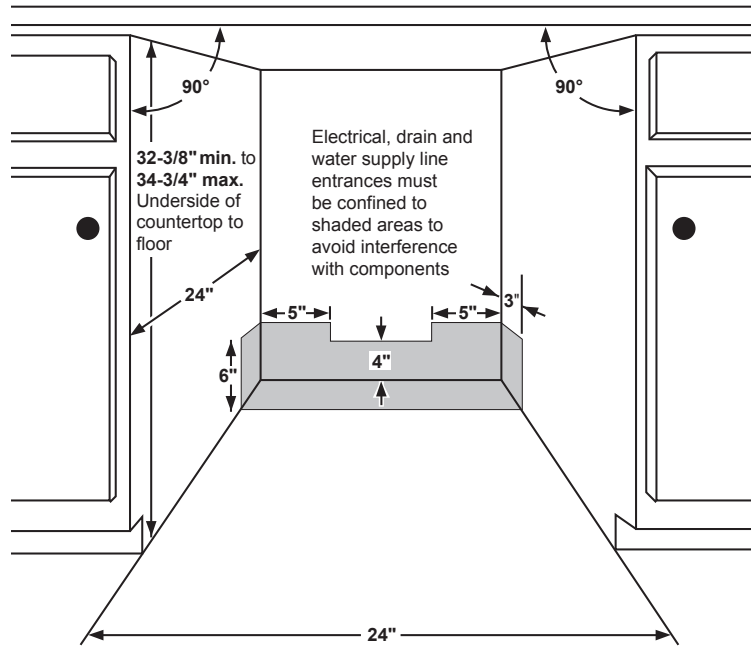
GE® Stainless Steel Interior Dishwasher with Hidden Controls

DIMENSIONS AND INSTALLATION INFORMATION (IN INCHES)

ELECTRICAL RATING

Voltage AC.....120
 Hertz.....60
 Total connected load amperage.....8.9

For use on adequately wired 120-volt, 15-amp circuit having 2-wire service with a separate ground wire. This appliance must be grounded for safe operation.



For answers to your Monogram, GE Café™ Series, GE Profile™ Series or GE Appliances product questions, visit our website at geappliances.com or call GE Answer Center® Service, 800.626.2000.



Listed by Underwriters Laboratories



As an ENERGY STAR® partner, GE has determined that this product meets the ENERGY STAR guidelines for energy efficiency.

GDT225SGL/SSL

GE® Stainless Steel Interior Dishwasher with Hidden Controls

FEATURES AND BENEFITS

ADA Compliant with Low-Profile Installation – Great for 34" counter top heights and raised subfloors

3-Level Wash – Expect exceptionally clean table-ready dishes with powerful wash arms

Autosense Cycle – A beam of light measures soil levels and water temperature to adjust to the ideal cycle time

Piranha™ hard food disposer with removable filter – To ensure consistently clean items, this stainless steel blade rotates at 3,600 RPM to pulverize food particles and helps to prevent large particles from clogging the wash arms

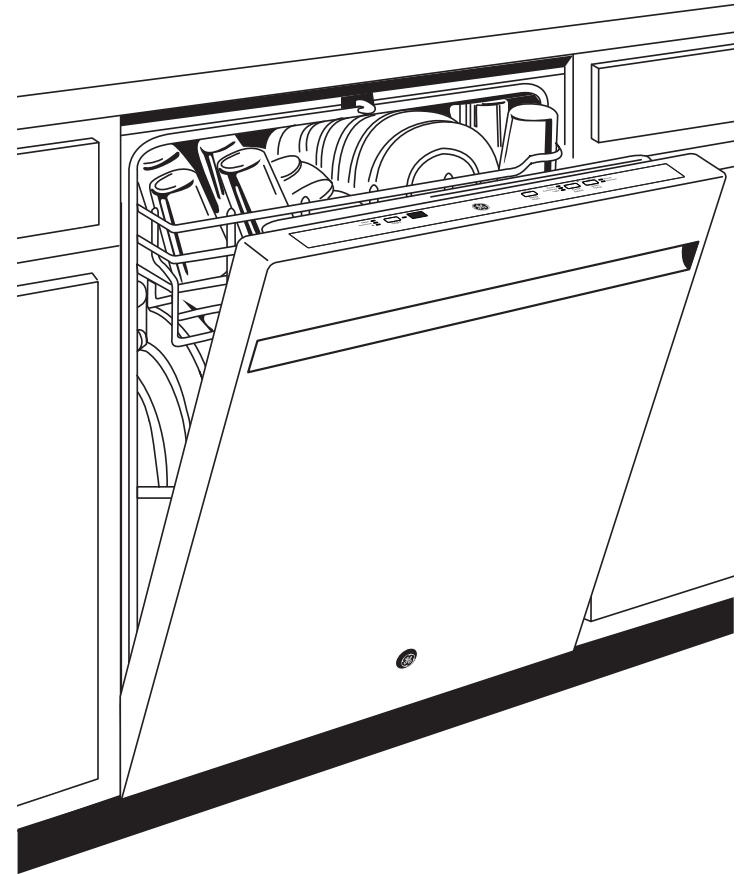
Sanitize option (NSF Certified) – High-temperature rinse sanitizes and reduces by 99.999% the bacteria found on dishes

dBA 51

Model GDT225SGLWW – White on white

Model GDT225SGLBB – Black on black

Model GDT225SSLSS – Stainless steel (shown)



As an ENERGY STAR® partner, GE has determined that this product meets the ENERGY STAR guidelines for energy efficiency.

PDT145SGL/SSL

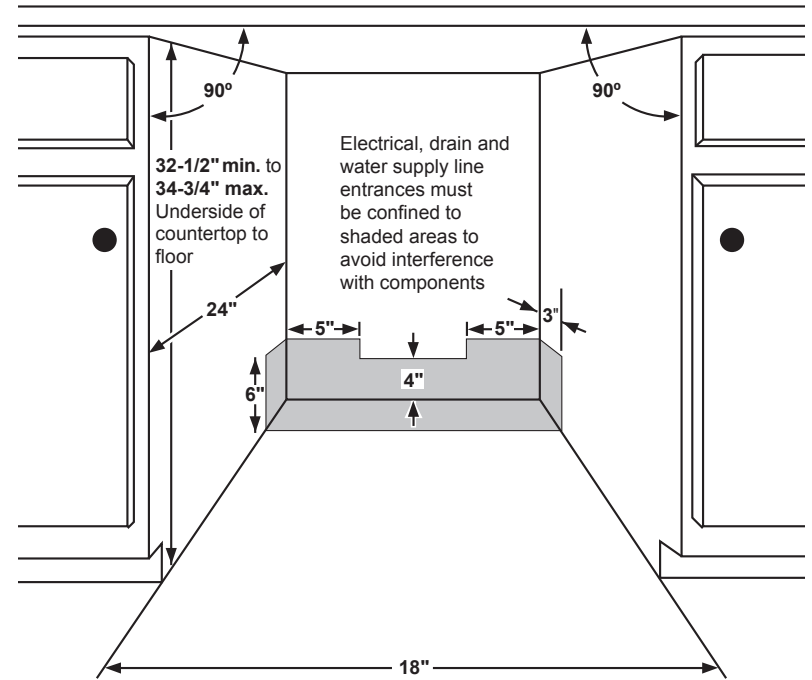
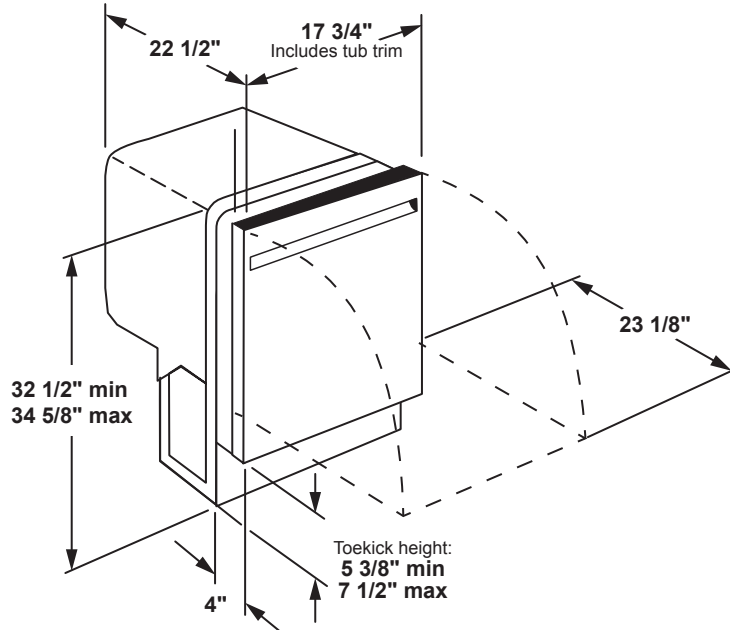
GE Profile™ Series 18" Dishwasher

DIMENSIONS AND INSTALLATION INFORMATION (IN INCHES)

ELECTRICAL RATING

Voltage AC.....120
 Hertz.....60
 Total connected load amperage.....8.9

For use on adequately wired 120-volt, 15-amp circuit having 2-wire service with a separate ground wire. This appliance must be grounded for safe operation.



For answers to your Monogram, GE Café™ Series, GE Profile™ Series or GE Appliances product questions, visit our website at geappliances.com or call GE Answer Center® Service, 800.626.2000.



Listed by Underwriters Laboratories



As an ENERGY STAR® partner, GE has determined that this product meets the ENERGY STAR guidelines for energy efficiency.

PDT145SGL/SSL

GE Profile™ Series 18" Dishwasher

FEATURES AND BENEFITS

ADA Compliant with Low-Profile Installation – Great for 34" counter top heights and raised subfloors

3-Level Wash – Expect exceptionally clean table-ready dishes with powerful wash arms

Autosense Cycle – A beam of light measures soil levels and water temperature to adjust to the ideal cycle time

Piranha™ hard food disposer with removable filter – To ensure consistently clean items, this stainless steel blade rotates at 3,600 RPM to pulverize food particles and helps to prevent large particles from clogging the wash arms

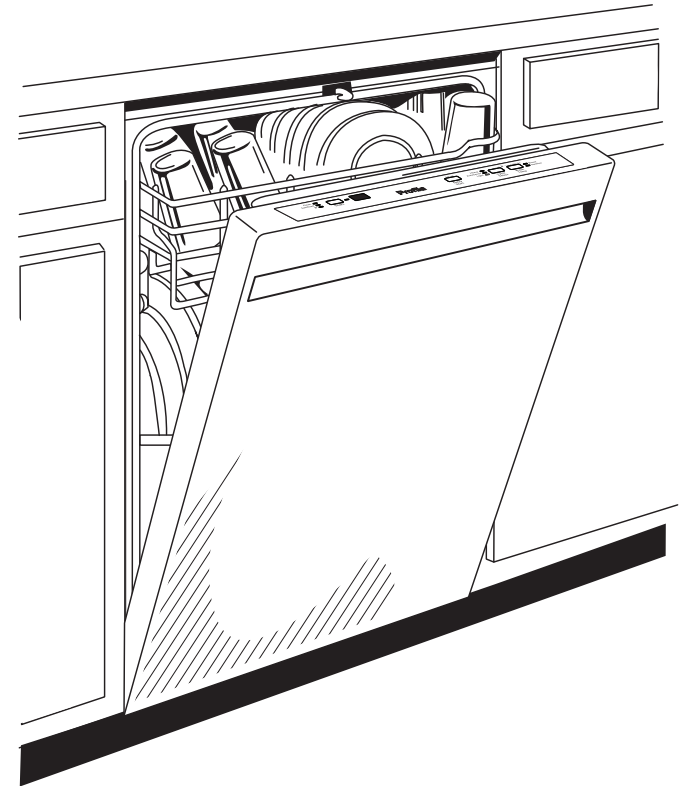
Sanitize option (NSF Certified) – High-temperature rinse sanitizes and reduces by 99.999% the bacteria found on dishes

dBA 47

Model PDT145SGLWW – White

Model PDT145SGLBB – Black

Model PDT145SSLSS – Stainless steel



GDF511PSR/PGR

GE® Dishwasher with Front Controls with Power Cord

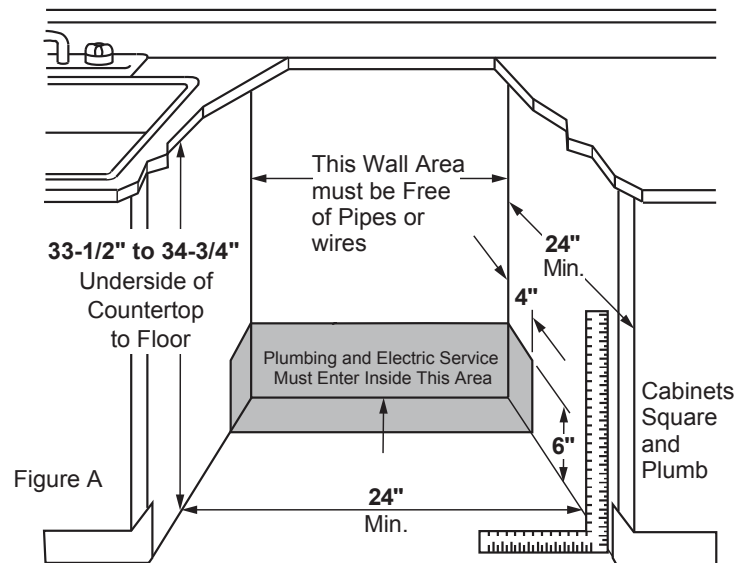
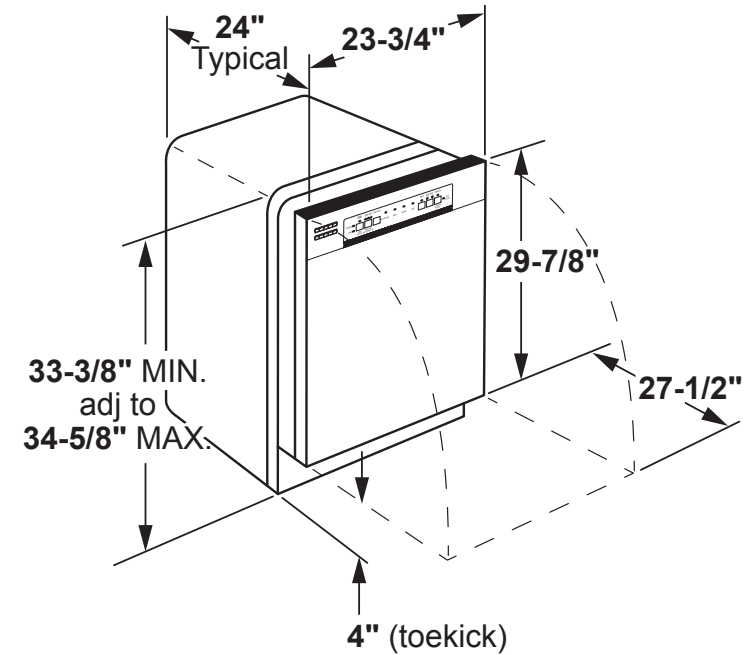
DIMENSIONS AND INSTALLATION INFORMATION (IN INCHES)

ELECTRICAL RATING

| | |
|------------------------------------|---------|
| Voltage AC..... | 120 |
| Hertz..... | 60 |
| Total connected load amperage..... | 6.6 |
| Calrod® heater watts max..... | 800/500 |

For use on adequately wired 120-volt, 15-amp circuit having 2-wire service with a separate ground wire. This appliance must be grounded for safe operation.

INSTALLATION INFORMATION: Before installing, consult installation instructions packed with product for current dimensional data.



For answers to your Monogram, Café™, GE Profile™ or GE Appliances product questions, visit our website at geappliances.com or call GE Answer Center® Service, 800.626.2000.



Listed by Underwriters Laboratories

GDF511PSR/PGR

GE® Dishwasher with Front Controls with Power Cord

FEATURES AND BENEFITS

Wash Cycle – This dishwasher features a wash cycle that removes all spots and residue for sparkling results.

Advanced Dry Cycle – Get hard-to-dry items like plastics up to three-times drier than standard heated dry cycles with Dry Boost™. (*Compared to heated dry option.)

Water Leak Sensor – This dishwasher features Active Flood Protect, which prevents potential overflows for greater peace of mind. It works by using a water leak detector to sense when water is too high, pumping it out until a safe level is reached.

High Quality & Always Dependable – This GE dishwasher is built to last for years of reliable performance.

Reliable Performance – Rest assured this American made dishwasher will wash and dry your dishes every time.

Multiple Cycle Options – Heavy wash, normal wash, 1-hour wash steam pre-wash and rinse-only cycles provide a variety of ways to get your dishes completely clean.

Upper & Lower Racks – This dishwasher has a top rack and a bottom rack, so you can load dishes however you want.

Quiet Operation – This quiet 59 dBA dishwasher has a status light on the door to let you know when it's running.

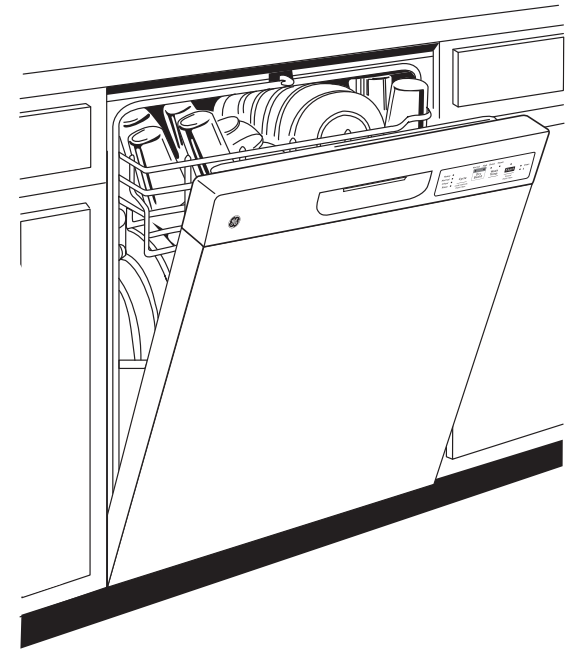
Hard Food Disposer – The Piranha™ hard food disposer with a removable filter has a stainless steel blade that rotates at 3,600 RPM, preventing large particles from clogging the wash arms and ensuring consistently clean dishes.

12 Place Setting Dishwasher – This dishwasher has enough room to wash 12 place settings at once, so you can easily clean dishes after large gatherings.

Heavy-Duty Plastic Interior – An interior made of heavy-duty plastic lasts a long time and has an attractive American Gray finish.

Top or Side Mount Installation Brackets – Easily mount the dishwasher under your countertop or to the side of your cabinets using installation brackets for any type of countertop.

Built-Up Floor Capable – This dishwasher has adjustable heights, making it easy to install over built-up floors.



Model GDF511PSRSS – Stainless Steel

Model GDF511PGRWW – White

Model GDF511PGRBB – Black



GDF510PGR/PSR

GE® Plastic Interior Dishwasher with Front Controls

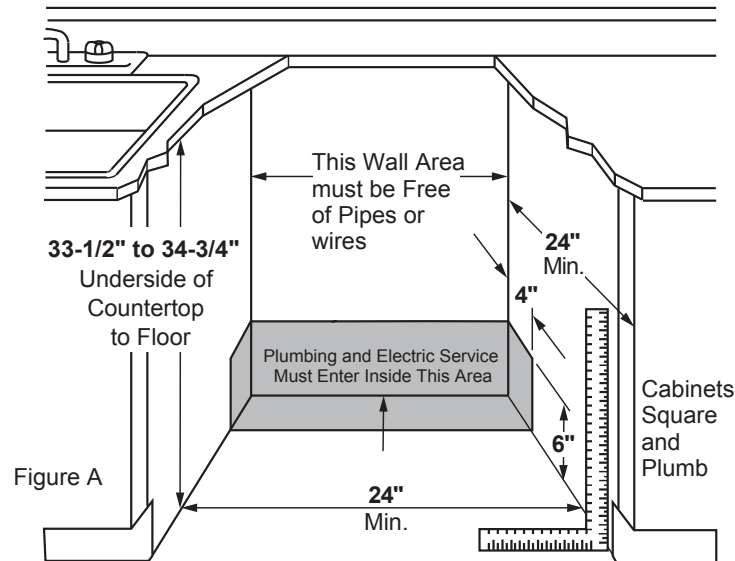
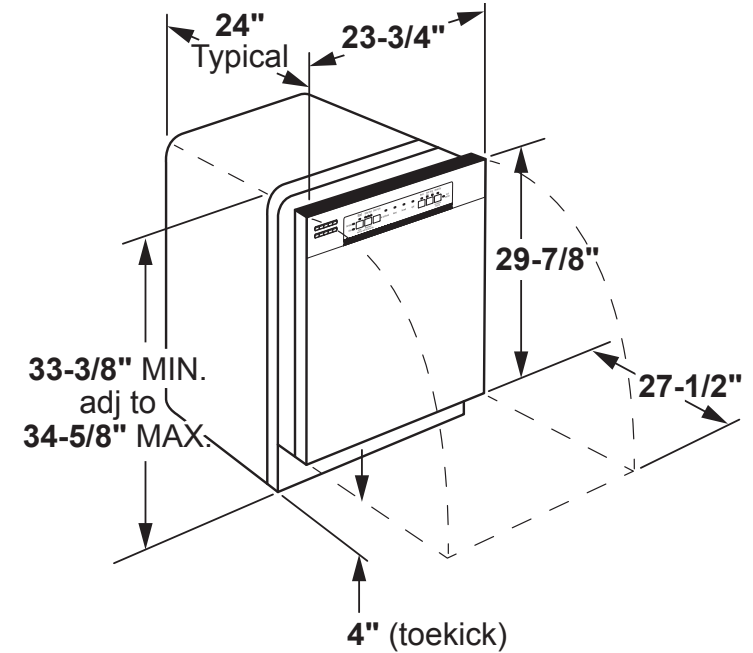
DIMENSIONS AND INSTALLATION INFORMATION (IN INCHES)

ELECTRICAL RATING

| | |
|------------------------------------|---------|
| Voltage AC..... | 120 |
| Hertz..... | 60 |
| Total connected load amperage..... | 6.6 |
| Calrod® heater watts max..... | 800/500 |

For use on adequately wired 120-volt, 15-amp circuit having 2-wire service with a separate ground wire. This appliance must be grounded for safe operation.

INSTALLATION INFORMATION: Before installing, consult installation instructions packed with product for current dimensional data.



For answers to your Monogram, Café™, GE Profile™ or GE Appliances product questions, visit our website at geappliances.com or call GE Answer Center® Service, 800.626.2000.



Listed by
Underwriters
Laboratories

GDF510PGR/PSR

GE® Plastic Interior Dishwasher with Front Controls

FEATURES AND BENEFITS

Reliable Performance – This American made dishwasher is durable, long-lasting and dependable. Its consistent performance will give you totally clean and dry dishes with every cycle

Dry Boost™ – Dry Boost outperforms standard heated dry dishwashers by getting hard-to-dry items like plastics up to 3 times drier.* Compared to heated dry option

Water Leak Sensor – This dishwasher features Active Flood Protect, which prevents potential overflows for greater peace of mind. It works by using a water leak detector to sense when water is too high, pumping it out until a safe level is reached.

Reliable Dishwasher Performance – This reliable dishwasher is built to provide years of dependable performance, so you know your dishes will be clean and dry every time

High Wash Performance – Get a complete wash with no pre-rinse, thanks to a variety of powerful clean wash cycles. No matter how many dishes you load or how dirty they are, rest assured you'll get spotless results every time

Choose Your Cycle – This dishwasher offers a heavy wash, normal wash, rinse cycle and a 1-hour wash cycle for outstanding wash performance and clean dishes every time, every load size

Dishwasher with Upper & Lower Rack Capacity – This well-designed dishwasher has an upper and lower rack, which offers loading flexibility and total wash coverage on both racks

ENERGY STAR® Dishwasher – This efficient, ENERGY STAR® dishwasher saves energy without sacrificing features or functionality

Hard Food Disposer – The Piranha™ hard food disposer with a removable filter has a stainless steel blade that rotates at 3,600 RPM, preventing large particles from clogging the wash arms and ensuring consistently clean dishes

Large Capacity – This large capacity dishwasher has enough space for 14 place settings and large dishware, making cleanup easy after large gatherings

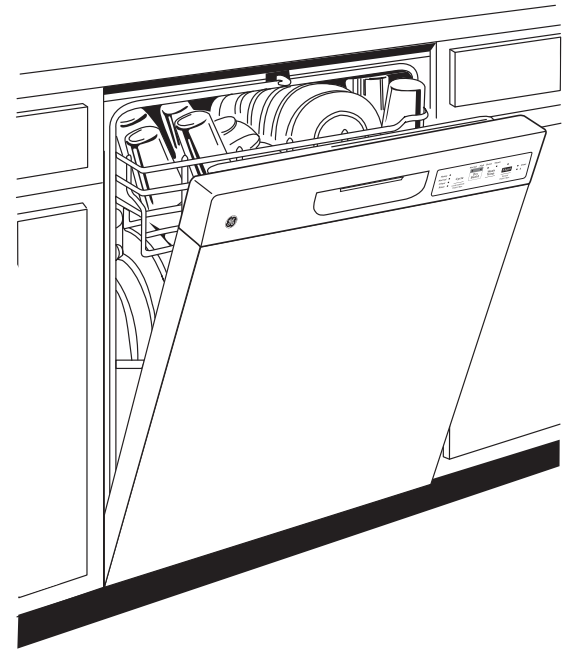
Heavy-Duty Plastic Interior Dishwasher – This heavy-duty plastic interior is extremely long-lasting, durable and has an attractive American Gray finish

59 dBA Dishwasher – This quiet dishwasher provides a powerful clean without unwanted noise or disturbances. A status light on the door lets you know when it's running

Flush Installation – Cabinet-depth flush installation ensures your dishwasher blends in with the design of your kitchen, and it doesn't reduce rack capacity

Top or Side Mount Installation Brackets – Easily mount the dishwasher under your countertop or to the side of your cabinets using installation brackets for any type of countertop

Built-Up Floor Capable – This dishwasher has adjustable heights, making it easy to install over built-up floors



Model GDF510PSRSS – Stainless Steel

Model GDF510PGRWW – White

Model GDF510PGRBB – Black





OTR Microwaves



Model#: JVM3162RJSS

GE® 1.6 Cu. Ft. Over-the-Range Microwave Oven

Approx Dimensions (HxWxD):
16 7/16 H x 29 7/8 W x 15 7/8 D

- 1.6 cu. ft. capacity-950 Watts (IEC-705 test procedure)
- Convenience cooking controls-Operating made quick and easy
- Auto and time defrost-Defrosting times and power levels are programmed automatically or manually for optimal results
- Turntable On/Off-Controls turntable operation

Also Available in:

JVM3162DJWW - White

JVM3162DJBB - Black

JVM3162RJSS - Stainless Steel/Black

Model#: JNM7196SKSS

GE® 1.9 Cu. Ft. Over-the-Range Sensor Microwave Oven with Recirculating Venting

Approx Dimensions (HxWxD):
16 5/16 H x 29 7/8 W x 15 9/16 D

- 1.9 cu. ft. capacity-1000 Watts (IEC-705 test procedure)
- Easy clean interior with steam clean-Makes cleaning spills and splatters a snap
- Melt feature-Worry-free melting of butter, caramel, chocolate and marshmallows
- Weight and time defrost-Simply enter the weight of the food, and the oven automatically sets the optimal defrosting time and power level or set your desired time for defrosting

Also Available in:

JNM7196FLDS - Fingerprint Resistant Black Slate

JNM7196BLTS - Fingerprint Resistant Black Stainless

JNM7196DKCC - Bisque

JNM7196DKWW - White

JNM7196SKSS - Stainless Steel

JNM7196DKBB - Black

Model#: JNM3163RJSS

GE® 1.6 Cu. Ft. Over-the-Range Microwave Oven with Recirculating Venting

Approx Dimensions (HxWxD):
16 7/16 H x 29 7/8 W x 15 7/8 D

- 1.6 cu. ft. capacity-950 Watts (IEC-705 test procedure)
- Convenience cooking controls-Operating made quick and easy
- Auto and time defrost-Defrosting times and power levels are programmed automatically or manually for optimal results
- Turntable On/Off-Controls turntable operation

Also Available in:

JNM3163RJSS - Stainless Steel

JNM3163DJBB - Black

JNM3163DJWW - White

Model#: JVM3160RFSS

GE® 1.6 Cu. Ft. Over-the-Range Microwave Oven

Approx Dimensions (HxWxD):
16 1/8 H x 29 7/8 W x 15 9/16 D

- Charcoal filter replacement for microwaves with behind the door grille-Easily install your new charcoal odor filter
- 1.6 cu. ft. capacity-1000 Watts (IEC-705 test procedure)
- Convenience cooking controls-Operating made quick and easy
- Auto and time defrost-Defrosting times and power levels are programmed automatically or manually for optimal results

Also Available in:

JVM3160EFES - Fingerprint Resistant Slate

JVM3160RFSS - Stainless Steel/Black

JVM3160DFCC - Bisque

JVM3160DFWW - White

JVM3160DFBB - Black

JVM3162RJ

GE® 1.6 cu. ft. Over-the-Range Microwave Oven

DIMENSIONS AND INSTALLATION INFORMATION (IN INCHES)

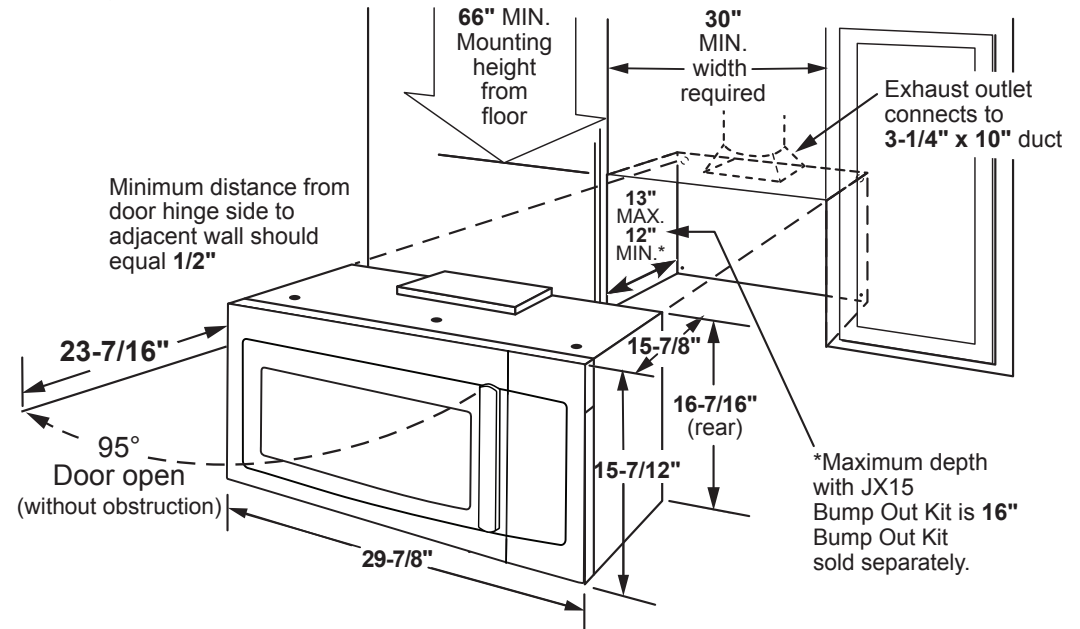
NOTE: Requires 120V grounded outlet. Electrical receptacle must be located in cabinet above microwave oven. No additional wiring, venting or cabinet rebuilding necessary in many cases. Complete detailed, easy-to-follow installation instructions and convenient full-size templates are packed with the microwave oven.

IMPORTANT INFORMATION: When installing the microwave oven over a range, allow minimum of 2" from bottom of microwave oven to top of range backguard to allow for removal of light covers.

VENTILATION OPTIONS: The microwave ovens are designed for adaptation to the following three types of ventilation:

- Outside exhaust (vertical – as shown)
- Outside exhaust (horizontal)
- Recirculating (non-vented ductless – see Filter Kit drawing)

INSTALLATION INFORMATION: This information is not intended to be used for installing unit described. Before installing, consult installation instructions packed with product/kit for current dimensional data.



For answers to your Monogram, GE Café™ Series, GE Profile™ Series or GE Appliances product questions, visit our website at geappliances.com or call GE Answer Center® Service, 800.626.2000.



Specification Revised 9/19

JVM3162RJ

GE® 1.6 cu. ft. Over-the-Range Microwave Oven

DIMENSIONS AND INSTALLATION INFORMATION (IN INCHES)

HOOD EXHAUST DUCT: Outside ventilation requires a **HOOD EXHAUST DUCT**. Read the following carefully.

EXHAUST CONNECTION: The hood exhaust has been designed to mate with a standard 3-1/4" x 10" rectangular duct. If a round duct is required, a rectangular-to-round transition adaptor must be used. Do not use less than a 6" diameter duct.

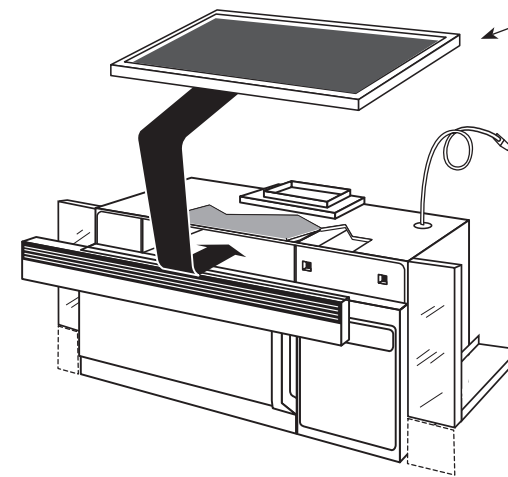
REAR EXHAUST: If a rear or horizontal exhaust is to be used, care should be taken to align exhaust with space between studs, or wall should be prepared at the time it is constructed by leaving enough space between the wall studs to accommodate exhaust.

MAXIMUM DUCT LENGTH: For satisfactory air movement, the total duct length of 3-1/4" x 10" rectangular or 6" diameter round duct should not exceed 140 equivalent feet.

ELBOWS, TRANSITIONS, WALL AND ROOF CAPS, etc., present additional resistance to airflow and are equivalent to a section of straight duct which is longer than their actual physical size. When calculating the total duct length, add the equivalent length of all transitions and adaptors plus the lengths of all straight duct sections. The chart below shows the approximate feet of equivalent length of some typical ducts.

| DUCT | EQUIVALENT FEET |
|---|-----------------|
| A. Rectangular-To-round Transition Adaptor | 5 ft. |
| B. Wall Cap | 40 ft. |
| C. 90° Elbow | 10 ft. |
| D. 45° Elbow | 5 ft. |
| E. 90° Elbow | 25 ft. |
| F. 45° Elbow | 5 ft. |
| G. Roof Cap | 24 ft. |

OPTIONAL ACCESSORIES (AVAILABLE AT ADDITIONAL COST)



FILTER KIT JX81C-RECIRCULATING CHARCOAL FILTER KIT
To be used when the microwave oven cannot be vented to the outside.



For answers to your Monogram, GE Café™ Series, GE Profile™ Series or GE Appliances product questions, visit our website at geappliances.com or call GE Answer Center® Service, 800.626.2000.



Specification Revised 9/19

JVM3162RJ

GE® 1.6 cu. ft. Over-the-Range Microwave Oven

FEATURES AND BENEFITS

1.6 cu. ft. capacity – 950 Watts (IEC-705 test procedure)

Convenience cooking controls – Operating made quick and easy

Auto and time defrost – Defrosting times and power levels are programmed automatically or manually for optimal results

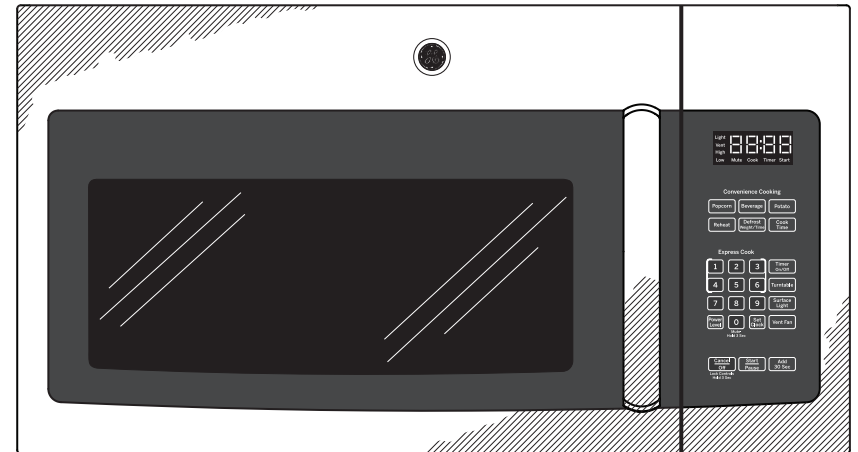
Turntable on/off – Controls turntable operation

Two-speed, 300-CFM venting system – Removes smoke, steam and odors

"Add 30 seconds" button – Add 30 seconds of microwave cooking time

10 power levels – Multiple power levels offer cooking flexibility

Model JVM3162RJSS – Stainless steel/black



For answers to your Monogram, GE Café™ Series, GE Profile™ Series or GE Appliances product questions, visit our website at geappliances.com or call GE Answer Center® Service, 800.626.2000.



Specification Revised 9/19

JNM7196SK/BL/FL

GE® 1.9 cu. ft. Over-the-Range Sensor Microwave Oven with Recirculating Venting

DIMENSIONS AND INSTALLATION INFORMATION (IN INCHES)

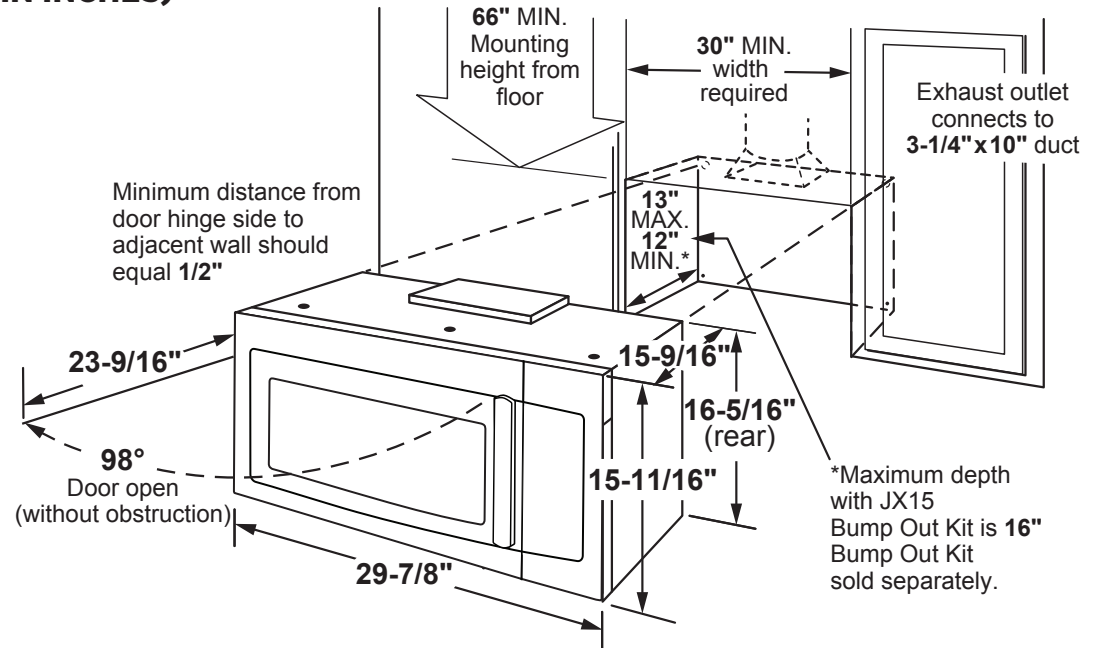
NOTE: Requires 120V grounded outlet. Electrical receptacle must be located in cabinet above microwave oven. No additional wiring, venting or cabinet rebuilding necessary in many cases. Complete detailed, easy-to-follow installation instructions and convenient full-size templates are packed with the microwave oven.

IMPORTANT INFORMATION: When installing the microwave oven over a range, allow minimum of 2" from bottom of microwave oven to top of range backguard to allow for removal of light covers.

VENTILATION OPTIONS: The microwave ovens are designed for adaptation to the following three types of ventilation:

- Outside exhaust (vertical – as shown)
- Outside exhaust (horizontal)
- Recirculating (non-vented ductless – see Filter Kit drawing)

INSTALLATION INFORMATION: This information is not intended to be used for installing unit described. Before installing, consult installation instructions packed with product/kit for current dimensional data.



For answers to your Monogram, GE Café™, GE Profile™ or GE Appliances product questions, visit our website at geappliances.com or call GE Answer Center® Service, 800.626.2000.



Specification Revised 9/20

JNM7196SK/BL/FL

GE® 1.9 cu. ft. Over-the-Range Sensor Microwave Oven with Recirculating Venting

DIMENSIONS AND INSTALLATION INFORMATION (IN INCHES)

HOOD EXHAUST DUCT: Outside ventilation requires a HOOD EXHAUST DUCT. Read the following carefully.

EXHAUST CONNECTION: The hood exhaust has been designed to mate with a standard 3-1/4" x 10" rectangular duct. If a round duct is required, a rectangular-to-round transition adaptor must be used. Do not use less than a 6" diameter duct

REAR EXHAUST: If a rear or horizontal exhaust is to be used, care should be taken to align exhaust with space between studs, or wall should be prepared at the time it is constructed by leaving enough space between the wall studs to accommodate exhaust.

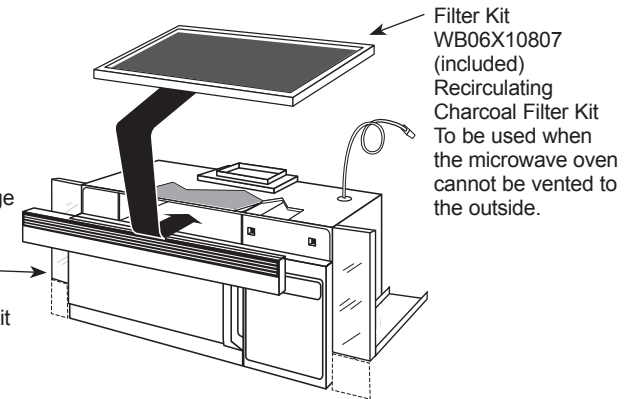
MAXIMUM DUCT LENGTH: For satisfactory air movement, the total duct length of 3-1/4" x 10" rectangular or 6" diameter round duct should not exceed 140 equivalent feet.

ELBOWS, TRANSITIONS, WALL AND ROOF CAPS, etc., present additional resistance to airflow and are equivalent to a section of straight duct which is longer than their actual physical size. When calculating the total duct length, add the equivalent length of all transitions and adaptors plus the lengths of all straight duct sections. The chart below shows the approximate feet of equivalent length of some typical ducts.

| DUCT | EQUIVALENT FEET |
|---|-----------------|
| A. Rectangular-To-round Transition Adaptor | 5 ft. |
| B. Wall Cap | 40 ft. |
| C. 90° Elbow | 10 ft. |
| D. 45° Elbow | 5 ft. |
| E. 90° Elbow | 25 ft. |
| F. 45° Elbow | 5 ft. |
| G. Roof Cap | 24 ft. |

OPTIONAL ACCESSORIES

Filler Panel Kit
JX36DWW/DBB/DSS/DTS/DDS
When replacing a 36" or 42" range hood, this kit fills in the additional width to provide a custom built-in appearance. For installation between cabinets only; not for end-of-cabinet installation. Each kit contains two 3"-wide filler panels.



Filter Kit
WB06X10807
(included)
Recirculating
Charcoal Filter Kit
To be used when the microwave oven cannot be vented to the outside.



JNM7196SK/BL/FL

GE® 1.9 cu. ft. Over-the-Range Sensor Microwave Oven with Recirculating Venting

FEATURES AND BENEFITS

1.9 cu. ft. capacity – 1000 Watts (IEC-705 test procedure)

Easy clean interior – Makes cleaning spills and splatters a snap

Melt feature – Worry-free melting of butter, caramel, chocolate and cheese

Easy clean with steam clean – Messes inside the microwave are easy to wipe away after steam loosens food grime

Weight and time defrost – Simply enter the weight of the food, and the oven automatically sets the optimal defrosting time and power level or set your desired time for defrosting

Upfront charcoal filter with indicator light – Light indicates when odor-removing charcoal filter needs to be replaced

Four-speed with boost, 400-CFM venting fan system – Quickly removes smoke, steam and odors from the cooktop to keep kitchen air fresh and clean

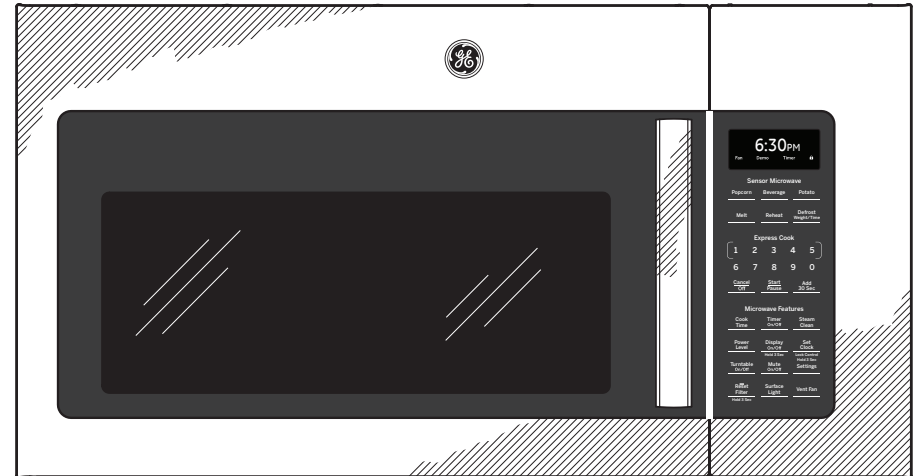
Turntable with on/off – Controls turntable operation

Sensor cooking controls – Automatically adjusts time and power for delicious cooking results

Model JNM7196SKSS – Stainless steel

Model JNM7196BLTS – Black Stainless

Model JNM7196FLDS – Black slate



JNM3163RJ

GE® 1.6 cu. ft. Over-the-Range Microwave Oven with Recirculating Venting

DIMENSIONS AND INSTALLATION INFORMATION (IN INCHES)

Note: Requires 120V grounded outlet. Electrical receptacle must be located in cabinet above microwave oven. No additional wiring, venting or cabinet rebuilding necessary in many cases. Complete detailed, easy-to-follow installation instructions and convenient full-size templates are packed with the microwave oven.

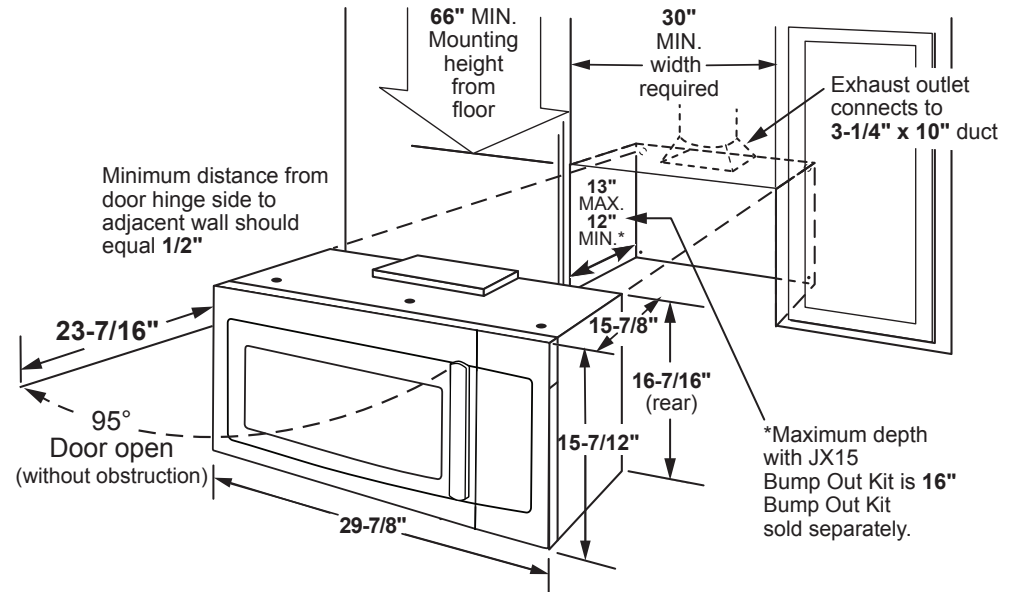
IMPORTANT INFORMATION: When installing the microwave oven over a range, allow minimum of 2" from bottom of microwave oven to top of range backguard to allow for removal of light covers.

VENTILATION OPTIONS: The microwave ovens are designed for adaptation to the following three types of ventilation:

- Outside exhaust (vertical – as shown)
- Outside exhaust (horizontal)

Recirculating (non-vented ductless – see Filter Kit drawing)

INSTALLATION INFORMATION: This information is not intended to be used for installing unit described. Before installing, consult installation instructions packed with product/kit for current dimensional data.



For answers to your Monogram, GE Café™ Series, GE Profile™ Series or GE Appliances product questions, visit our website at geappliances.com or call GE Answer Center® Service, 800.626.2000.



Specification Revised 5/18

JNM3163RJ

GE® 1.6 cu. ft. Over-the-Range Microwave Oven with Recirculating Venting

DIMENSIONS AND INSTALLATION INFORMATION (IN INCHES)

HOOD EXHAUST DUCT: Outside ventilation requires a **HOOD EXHAUST DUCT**. Read the following carefully.

EXHAUST CONNECTION: The hood exhaust has been designed to mate with a standard 3-1/4" x 10" rectangular duct. If a round duct is required, a rectangular-to-round transition adaptor must be used. Do not use less than a 6" diameter duct.

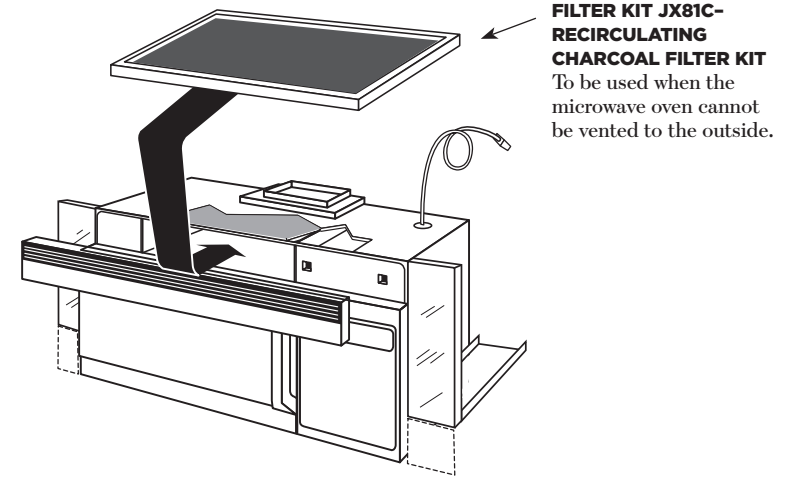
REAR EXHAUST: If a rear or horizontal exhaust is to be used, care should be taken to align exhaust with space between studs, or wall should be prepared at the time it is constructed by leaving enough space between the wall studs to accommodate exhaust.

MAXIMUM DUCT LENGTH: For satisfactory air movement, the total duct length of 3-1/4" x 10" rectangular or 6" diameter round duct should not exceed 120 equivalent feet.

ELBOWS, TRANSITIONS, WALL AND ROOF CAPS, etc., present additional resistance to airflow and are equivalent to a section of straight duct which is longer than their actual physical size. When calculating the total duct length, add the equivalent length of all transitions and adaptors plus the lengths of all straight duct sections. The chart below shows the approximate feet of equivalent length of some typical ducts.

| DUCT | EQUIVALENT FEET |
|---|-----------------|
| A. Rectangular-To-round Transition Adaptor | 5 ft. |
| B. Wall Cap | 40 ft. |
| C. 90° Elbow | 10 ft. |
| D. 45° Elbow | 5 ft. |
| E. 90° Elbow | 25 ft. |
| F. 45° Elbow | 5 ft. |
| G. Roof Cap | 24 ft. |

OPTIONAL ACCESSORIES (AVAILABLE AT ADDITIONAL COST)



For answers to your Monogram, GE Café™ Series, GE Profile™ Series or GE Appliances product questions, visit our website at geappliances.com or call GE Answer Center® Service, 800.626.2000.



Specification Revised 5/18

JNM3163RJ

GE® 1.6 cu. ft. Over-the-Range Microwave Oven with Recirculating Venting

FEATURES AND BENEFITS

1.6 cu. ft. capacity – 950 Watts (IEC-705 test procedure)

Convenience cooking controls – Operating made quick and easy

Auto and time defrost – Defrosting times and power levels are programmed automatically or manually for optimal results

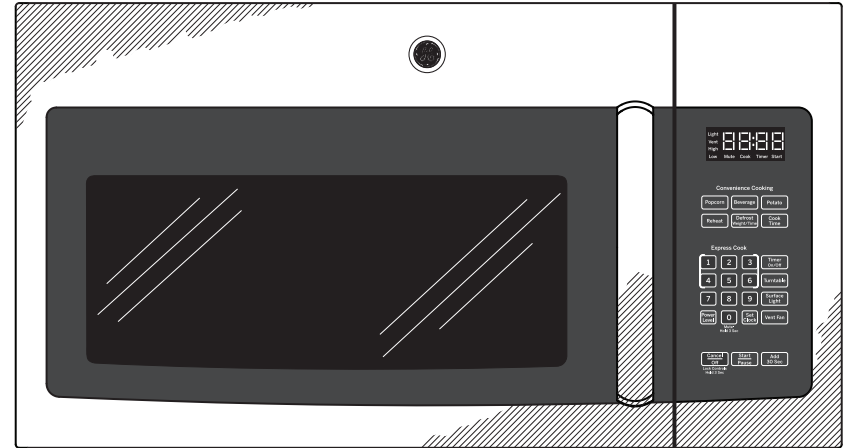
Turntable on/off – Controls turntable operation

Two-speed, 300-CFM venting system – Removes smoke, steam and odors

"Add 30 seconds" button – Add 30 seconds of microwave cooking time

10 power levels – Multiple power levels offer cooking flexibility

Model JNM3163RJSS – Stainless steel/black



For answers to your Monogram, GE Café™ Series, GE Profile™ Series or GE Appliances product questions, visit our website at geappliances.com or call GE Answer Center® Service, 800.626.2000.



Specification Revised 5/18

JVM3160RF/EF

GE® 1.6 cu. ft. Over-the-Range Microwave Oven

DIMENSIONS AND INSTALLATION INFORMATION (IN INCHES)

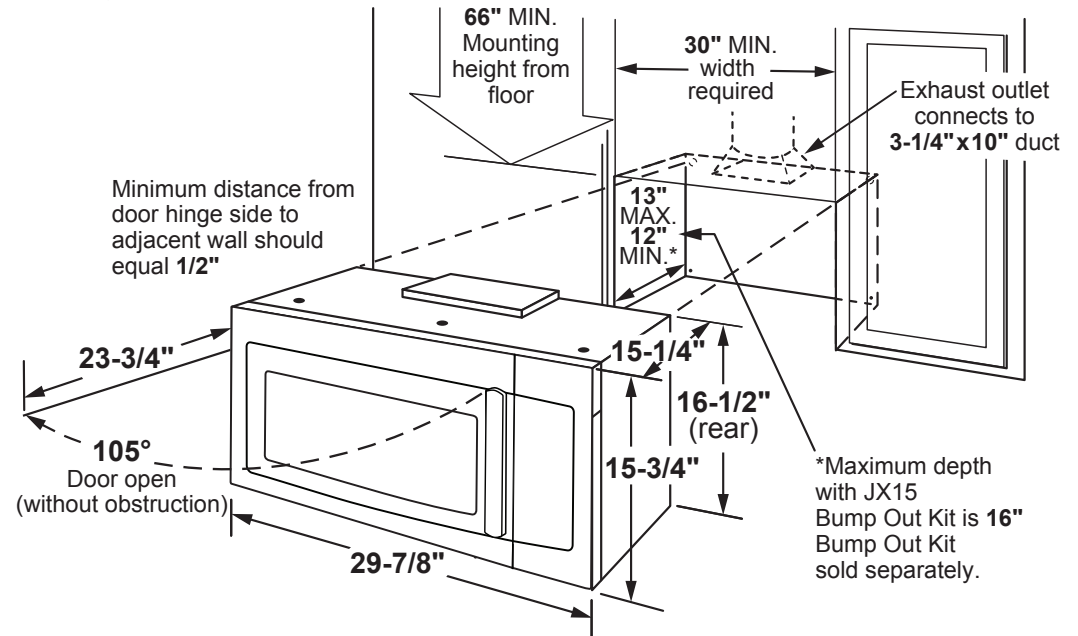
NOTE: Requires 120V grounded outlet. Electrical receptacle must be located in cabinet above microwave oven. No additional wiring, venting or cabinet rebuilding necessary in many cases. Complete detailed, easy-to-follow installation instructions and convenient full-size templates are packed with the microwave oven.

IMPORTANT INFORMATION: When installing the microwave oven over a range, allow minimum of 2" from bottom of microwave oven to top of range backguard to allow for removal of light covers.

VENTILATION OPTIONS: The microwave ovens are designed for adaptation to the following three types of ventilation:

- Outside exhaust (vertical – as shown)
- Outside exhaust (horizontal)
- Recirculating (non-vented ductless – see Filter Kit drawing)

INSTALLATION INFORMATION: This information is not intended to be used for installing unit described. Before installing, consult installation instructions packed with product/kit for current dimensional data.



For answers to your Monogram, GE Cafe™, GE Profile™ or GE Appliances product questions, visit our website at geappliances.com or call GE Answer Center® Service, 800.626.2000.



Listed by
Underwriters
Laboratories

Specification Revised 9/20

JVM3160RF/EF

GE® 1.6 cu. ft. Over-the-Range Microwave Oven

DIMENSIONS AND INSTALLATION INFORMATION (IN INCHES)

HOOD EXHAUST DUCT: Outside ventilation requires a HOOD EXHAUST DUCT. Read the following carefully.

EXHAUST CONNECTION: The hood exhaust has been designed to mate with a standard 3-1/4" x 10" rectangular duct. If a round duct is required, a rectangular-to-round transition adaptor must be used. Do not use less than a 6" diameter duct

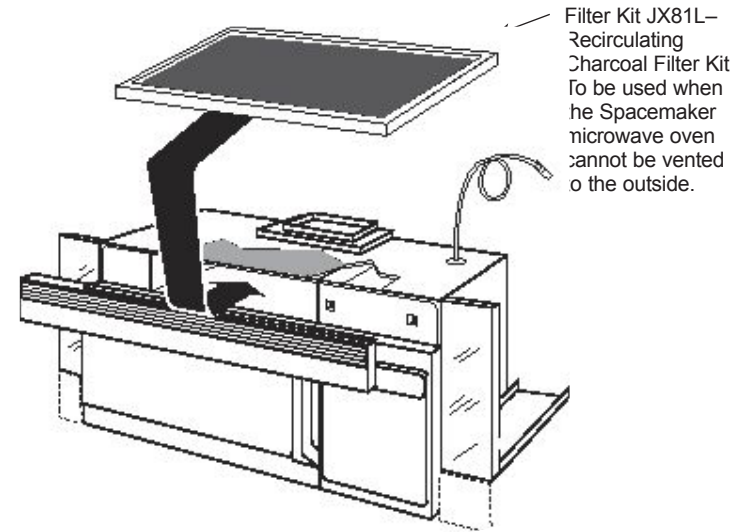
REAR EXHAUST: If a rear or horizontal exhaust is to be used, care should be taken to align exhaust with space between studs, or wall should be prepared at the time it is constructed by leaving enough space between the wall studs to accommodate exhaust.

MAXIMUM DUCT LENGTH: For satisfactory air movement, the total duct length of 3-1/4" x 10" rectangular or 6" diameter round duct should not exceed 140 equivalent feet.

ELBOWS, TRANSITIONS, WALL AND ROOF CAPS, etc., present additional resistance to airflow and are equivalent to a section of straight duct which is longer than their actual physical size. When calculating the total duct length, add the equivalent length of all transitions and adaptors plus the lengths of all straight duct sections. The chart below shows the approximate feet of equivalent length of some typical ducts.

| DUCT | EQUIVALENT FEET |
|---|-----------------|
| A. Rectangular-To-round Transition Adaptor | 5 ft. |
| B. Wall Cap | 40 ft. |
| C. 90° Elbow | 10 ft. |
| D. 45° Elbow | 5 ft. |
| E. 90° Elbow | 25 ft. |
| F. 45° Elbow | 5 ft. |
| G. Roof Cap | 24 ft. |

OPTIONAL ACCESSORIES (AVAILABLE AT ADDITIONAL COST)



For answers to your Monogram, GE Café™ Series, GE Profile™ Series or GE Appliances product questions, visit our website at geappliances.com or call GE Answer Center® Service, 800.626.2000.

JVM3160RF/EF

GE® 1.6 cu. ft. Over-the-Range Microwave Oven

FEATURES AND BENEFITS

1.6 cu. ft. capacity – 1000 Watts (IEC-705 test procedure)

Convenience cooking controls – Operating made quick and easy

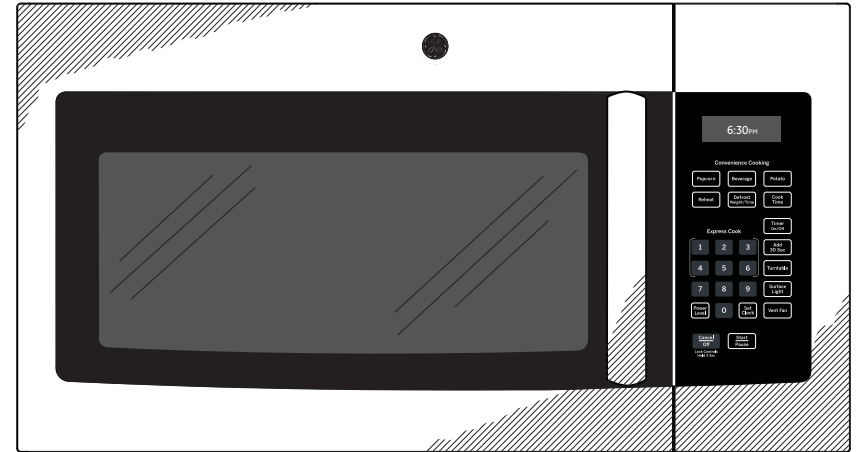
Auto and time defrost – Defrosting times and power levels are programmed automatically or manually for optimal results

Turntable on/off – Controls turntable operation

Two-speed, 300-CFM venting system – Removes smoke, steam and odors

Model JVM3160RFSS – Stainless steel/black

Model JVM3160EFES – Slate





Countertop Microwave



Model#: PEM31SFSS

GE Profile™ 1.1 Cu. Ft. Countertop Microwave Oven

Approx Dimensions (HxWxD): 12 1/8 H x 24 W x 12 7/8 D

- 1.1 cu. ft. capacity-800 Watts (IEC-705 test procedure)
- Built-in capable microwave-This countertop microwave oven is built-in capable with a sleek matching trim kit
- Optional hanging kit-Frees up counter space
- Sensor cooking controls-Automatically adjusts time and power for delicious cooking results

Also Available in:

- PEM31DFBB - Black
- PEM31FMDS - Fingerprint Resistant Black Slate
- PEM31EFES - Fingerprint Resistant Slate
- PEM31SFSS - Stainless Steel
- PEM31BMTS - Fingerprint Resistant Black Stainless
- PEM31DFWW - White



Model#: JES1657SMSS

GE® 1.6 Cu. Ft. Countertop Microwave Oven

Approx Dimensions (HxWxD): 12 7/8 H x 21 3/4 W x 17 3/4 D

- 1.6 cu. ft. capacity-1150 Watts (IEC-705 test procedure)
- Sensor cooking controls-Automatically adjusts time and power for delicious cooking results
- Weight and time defrost-Simply enter the weight of the food, and the oven automatically sets the optimal defrosting time and power level or set your desired time for defrosting
- Turntable-Rotates food throughout the cycle

Also Available in:

- JES1657DMWW - White
- JES1657SMSS - Stainless Steel
- JES1657DMBB - Black
- JES1657BMTS - Fingerprint Resistant Black Stainless



Model#: JES1460DSBB

GE® 1.4 Cu. Ft. Countertop Microwave Oven

Approx Dimensions (HxWxD): 12 1/2 H x 21 7/8 W x 16 3/8 D

- 1.4 cu. ft. capacity-1100 Watts(IEC-705 test procedure)
- Sensor cooking controls-Automatically adjusts time and power for delicious cooking results
- Weight and time defrost-Simply enter the weight of the food, and the oven automatically sets the optimal defrosting time and power level or set your desired time for defrosting
- Turntable-Rotates food throughout the cycle

Also Available in:

- JES1460DSWW - White on White
- JES1460DSBB - Black on Black

PEM31SF/EF/BM/FM

GE Profile™ Series 1.1 Cu. Ft. Countertop Microwave Oven

DIMENSIONS AND INSTALLATION INFORMATION (IN INCHES)

| EXTERIOR DIMENSIONS* (IN INCHES) | |
|----------------------------------|----------------------|
| W x H x D | 24 x 12-1/8 x 12-7/8 |

*Height includes feet. Depth does not include handle and excludes receptacle plug, + 1/2"-3/4".

OPTIONAL ACCESSORY TRIM KITS FOR GE MICROWAVE OVENS: For a custom built-in appearance, these kits allow built-in installation of the countertop microwave oven into a wall or cabinet alone, and is U. L. approved for installation over a GE single electric wall oven. These kits should not be installed over a gas wall oven.

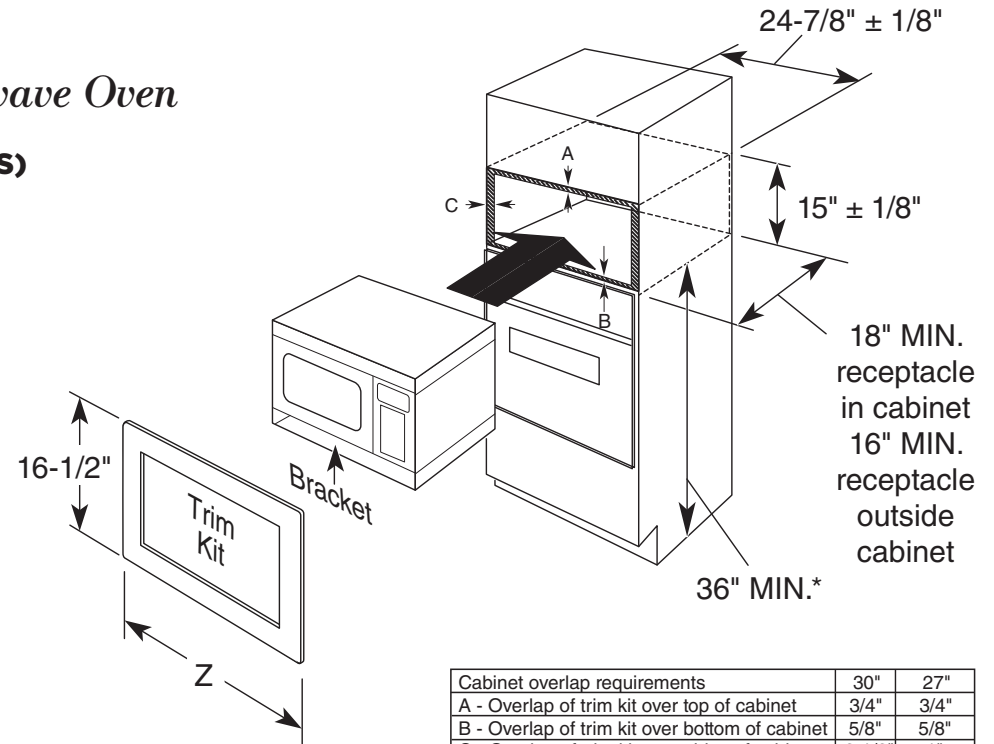
| ACCESSORY TRIM KIT | "Z" | MAX HEIGHT | TRIM KIT |
|--------------------|---------|------------|-----------|
| 27" Deluxe | 26-7/8" | 16-1/2" | JX827SFSS |
| 30" Deluxe | 29-7/8" | 16-1/2" | JX830SFSS |

INSTALLATION INFORMATION: This information is not intended to be used for installing unit described. Before installing, consult installation instructions packed with product for current dimensional data.

NOTE: UNDERCABINET INSTALLATION

Install countertop microwave ovens in just a few easy steps with the mounting template, which provides all the necessary measurements. Installation may vary depending on cabinets. These microwave ovens can be installed on practically any wood or metal cabinets.

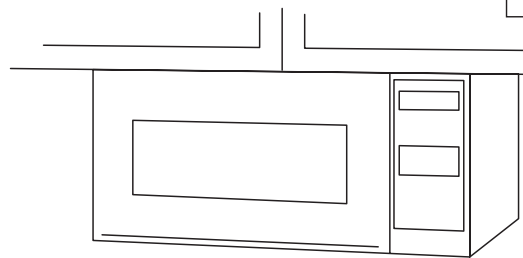
NOTE: 120V, 60-cycle, grounded power receptacle location optional on back within cabinet opening.



| Cabinet overlap requirements | 30" | 27" |
|--|--------|------|
| A - Overlap of trim kit over top of cabinet | 3/4" | 3/4" |
| B - Overlap of trim kit over bottom of cabinet | 5/8" | 5/8" |
| C - Overlap of trim kit over sides of cabinet | 2-1/2" | 1" |

*For ADA compliance, the microwave must be installed no higher than 37-7/8".

Note:
Allow an additional inch of clearance beyond trim frame on all sides



Not to be used over a thermal oven.
Undercabinet mounting kit Pub. No. JXA019K for Spacemaker II microwave oven models available at additional cost.



PEM31SF/EF/BM/FM

GE Profile™ Series 1.1 Cu. Ft. Countertop Microwave Oven

FEATURES AND BENEFITS

1.1 cu. ft. capacity – 800 Watts (IEC-705 test procedure)

Sensor cooking controls – Automatically adjusts time and power

Optional built-in trim kit – Custom appearance and built-in convenience

Optional hanging kit – Frees up counter space

Weight and time defrost – Simply enter the weight of the food, and the oven automatically sets the optimal defrosting time and power level or set your desired time or defrosting

Turntable on/off – Controls turntable operation

Control lockout – Helps prevent accidental activation

Add 30 seconds – Add 30 seconds of microwave cooking time

Kitchen timer – Minute timer helps keep you on track

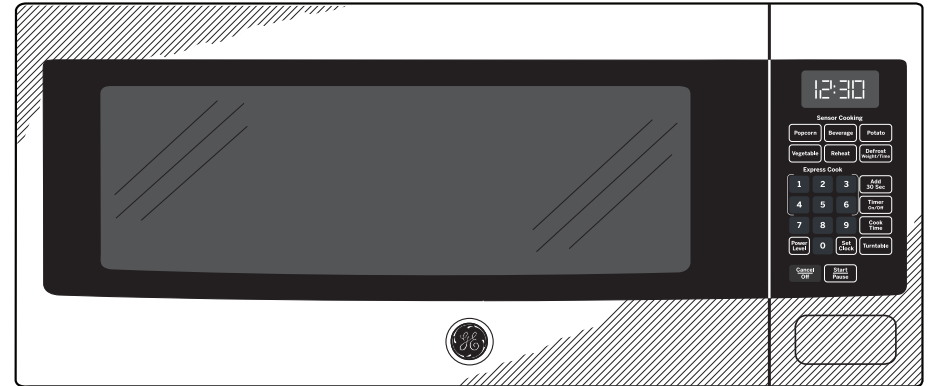
Timer on/off – Minute timer helps keep you on track

Model PEM31SFSS – Stainless steel

Model PEM31EFES – Slate

Model PEM31BMTS – Black stainless

Model PEM31FMDS –Black slate



JES1657DM/SM/BM

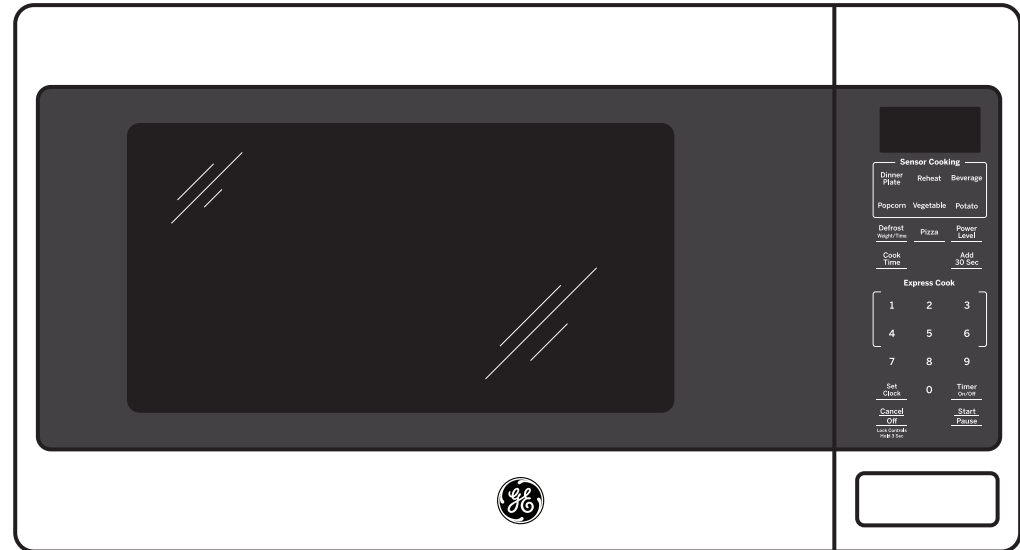
GE® 1.6 Cu. Ft. Countertop Microwave Oven

DIMENSIONS AND INSTALLATION INFORMATION (IN INCHES)

| EXTERIOR DIMENSIONS* (IN INCHES) | |
|----------------------------------|--------------------------|
| W x H x D | 21 3/4 x 12 7/8 x 17 3/4 |

*Height includes feet.

This unit designed to be placed on countertop.



For answers to your Monogram, GE Café™ Series, GE Profile™ Series or GE Appliances product questions, visit our website at geappliances.com or call GE Answer Center® Service, 800.626.2000.



Specification Created 2/18

JES1657DM/SM/BM

GE® 1.6 Cu. Ft. Countertop Microwave Oven

FEATURES AND BENEFITS

1.6 cu. ft. capacity – 1150 Watts (IEC-705 test procedure)

Sensor cooking controls – Automatically adjusts time and power

Auto and time defrost – Defrosting times and power levels are programmed automatically or manually for optimal results

Turntable – Rotates food throughout the cycle

Instant on controls – One-touch instant operation

Control lockout – Helps prevent accidental activation

Cooking complete reminder – Know when your food is ready

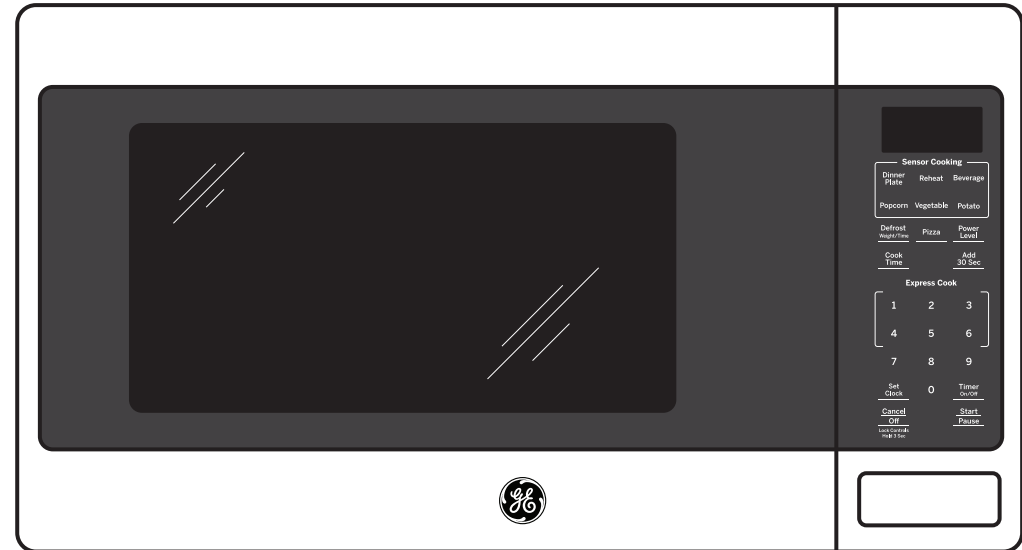
Timer on/off – Minute timer helps keep you on track

Model JES1657DMBB – Black

Model JES1657DMWW – White

Model JES1657SMSS – Stainless steel

Model JES1657BMTS – Black stainless



For answers to your Monogram, GE Café™ Series, GE Profile™ Series or GE Appliances product questions, visit our website at geappliances.com or call GE Answer Center® Service, 800.626.2000.

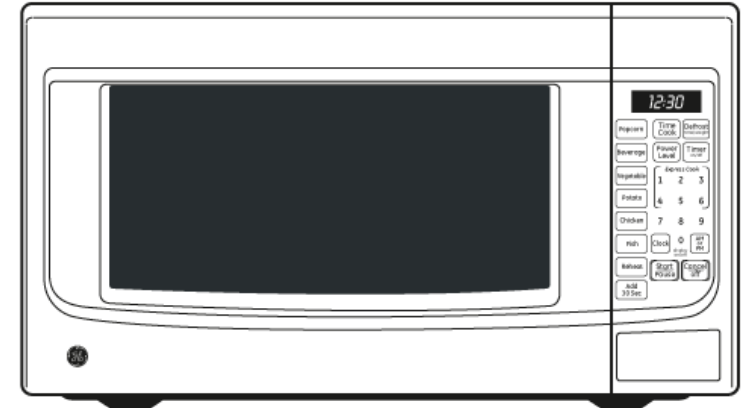
JES1460DS

GE® 1.4 Cu. Ft. Countertop Microwave Oven

DIMENSIONS AND INSTALLATION INFORMATION (IN INCHES)

| EXTERIOR DIMENSIONS* (IN INCHES) | |
|----------------------------------|--------------------------|
| W X H X D | 21-7/8 x 12-1/2 x 16-3/8 |

*Height includes feet. Depth does not include handle.



This unit designed to be placed on countertop.



GE APPLIANCES

For answers to your Monogram,® GE Profile™ or GE® appliance questions, visit our website at geappliances.com or call GE Answer Center® service, 800.626.2000.



Listed by
Underwriters
Laboratories

Specification Revised 6/15

JES1460DS

GE® 1.4 Cu. Ft. Countertop Microwave Oven

FEATURES AND BENEFITS

1.4 cu. ft. capacity – 1100 Watts (IEC-705 test procedure)

Sensor cooking controls – Automatically adjusts time and power for delicious cooking results

Weight and Time Defrost – Simply enter the weight of the food, and the oven automatically sets the optimal defrosting time and power level or set your desired time for defrosting

Turntable – Rotates food throughout the cooking cycle for even cooking results

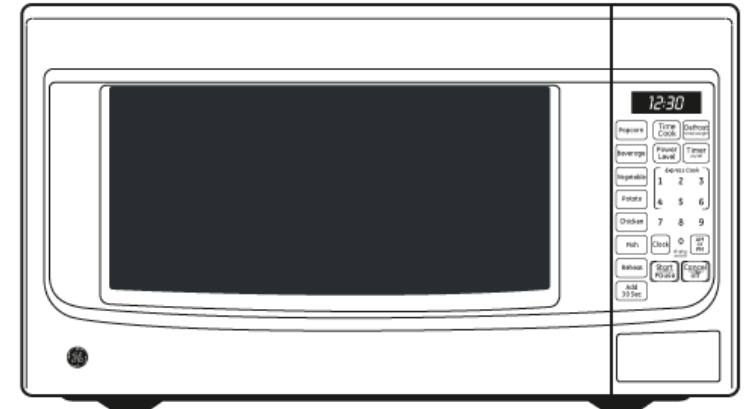
Instant on controls – Cooking and reheating happens instantly at the touch of a button

Control lockout – Provides peace of mind by locking the oven and preventing accidental activation

Timer on/off – Oven timer can be set to countdown a specific amount of minutes to help watch the time for you

Model JES1460DSWW – White

Model JES1460DSBB – Black



GE APPLIANCES

For answers to your Monogram,® GE Profile™ or GE® appliance questions, visit our website at geappliances.com or call GE Answer Center® service, 800.626.2000.



Range Hoods



Model#: JVX3300SJSS

GE® 30" Under The Cabinet Hood

Approx Dimensions (HxWxD): 5 1/2 H x 29 7/8 W x 20 D

- Easy installation-10 minutes or less by one person
- Two-speed, 200-CFM venting system-Removes smoke, grease, odors and moisture
- Front controls-Enjoy easy access and a subtle appearance
- Cooktop lighting-Illuminate cooking space and surrounding surface - bulbs included
- Convertible venting options-Select recirculating or external venting
- Vertical and rear exhaust-Exhausts from the top or rear of the hood
- Appearance (Partially enclosed bottom)-Enjoy easy access to hood interior

Also Available in:

JVX3300DJWW - White

JVX3300EJES - Fingerprint Resistant Slate

JVX3300SJSS - Stainless Steel

JVX3300DJBB - Black



Model#: JV338HBB

GE® Standard Range Hood

Approx Dimensions (HxWxD): 5 1/2 H x 29 7/8 W x 17 1/2 D

- Vented-Channels exhaust from the kitchen to the outside of the home
- Vertical and rear exhaust-Exhausts from the top or rear of the hood

Also Available in:

JV338HBB - Black on Black

JV338HWW - White on White

JVX3300EJ/SJ

GE® 30" Under the Cabinet Hood

DIMENSIONS AND INSTALLATION INFORMATION (IN INCHES)

WB02X11537 replacement grease filter and JXCF53 replacement charcoal filter are available for additional cost. Call toll-free 800.626.2000.

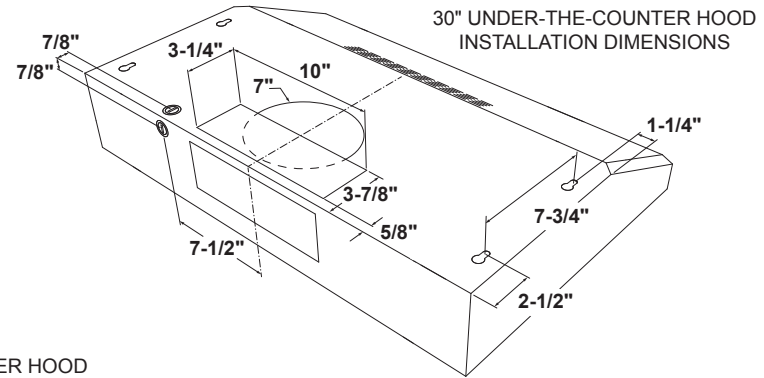
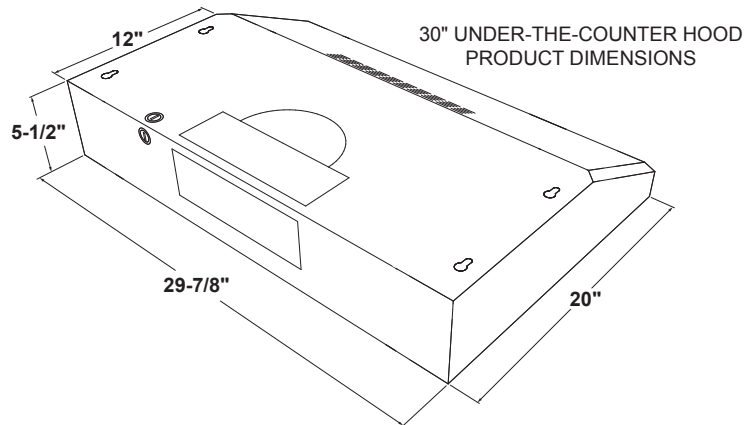
Installation Information: Before installing, consult installation instructions, packed with product, for current dimensional data.

Additional accessories:

JXS50SS 15" cabinet spacer

JXDA22 optional damper

| AMP RATING | |
|------------|-----|
| 120V | 2.5 |



Exhaust outlet connects to 3-1/4" x 10" rectangular duct. Vent top or rear. Includes rectangular damper.



For answers to your Monogram, GE Café™, GE Profile™ or GE Appliances product questions, visit our website at geappliances.com or call GE Answer Center® Service, 800.626.2000.



Specification Revised 6/20

JVX3300EJ/SJ

GE® 30" Under the Cabinet Hood

FEATURES AND BENEFITS

Easy installation – 10 minutes or less by one person

Two-speed, 200-CFM venting system – Removes smoke, grease, odors and moisture

Front controls – Enjoy easy access and a subtle appearance

Cooktop lighting - Illuminate cooking space and surrounding surface

Convertible venting options – Select recirculating or external venting

Vertical and rear exhaust – Exhausts from the top or rear of the hood

Appearance (Partially enclosed bottom) – Enjoy easy access to hood interior

Dishwasher safe filter – Filters grease and is dishwasher-safe

Model JVX3300SJSS – Stainless steel

Model JVX3300EJES – Slate



| CFM/SONES RATINGS | |
|--------------------------|---------|
| Exhaust High Speed (HS) | 200/6.5 |
| Exhaust Low Speed (LS) | 130/5.0 |



JV338H

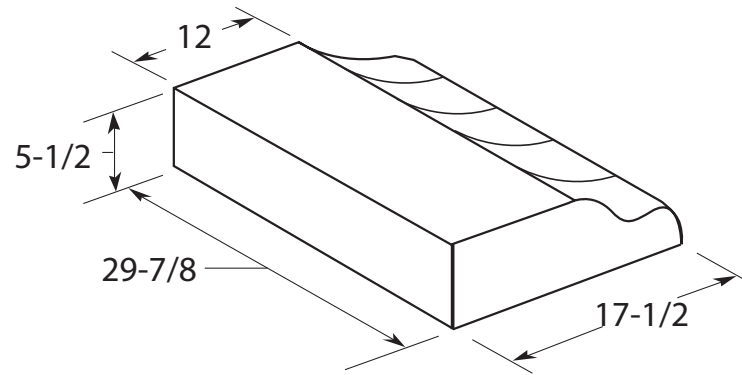
GE® Standard Range Hood

DIMENSIONS AND INSTALLATION INFORMATION (IN INCHES)

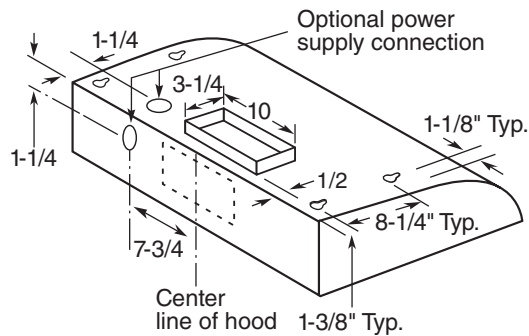
WB02X9381 replacement grease filter and WB02X10700 replacement charcoal filter are available for additional cost. Call toll-free 800.626.2002.

JXHCI Cord Kit: Allows a receptacle in the cabinet over the range to accommodate either an over-the-range microwave oven or a standard hood.

Installation Information: Before installing, consult installation instructions, packed with product, for current dimensional data. Light bulb(s) not included.

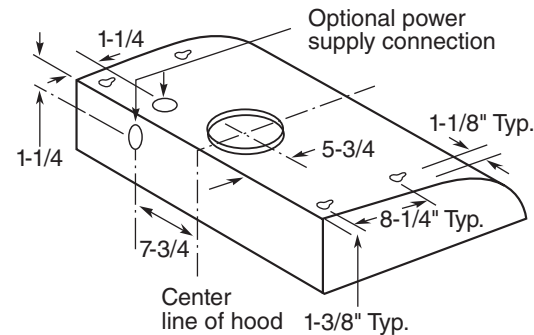


| AMP RATING | |
|------------|-----|
| 120V | 2.5 |



Refer to this drawing for rectangular exhaust option.

Exhaust outlet connects to 3-1/4" x 10" rectangular duct. Vent top or rear. Includes rectangular damper.



Refer to this drawing for round exhaust option.

Exhaust outlet connects to 7" diameter duct. Vent top only. Round damper accessory. JXDA22, available at additional cost.



For answers to your Monogram, GE Café™, GE Profile™ or GE Appliances product questions, visit our website at geappliances.com or call GE Answer Center® Service, 800.626.2000.



Specification Revised 6/20

JV338H

GE® Standard Range Hood

FEATURES AND BENEFITS

Vented – Effectively pulls smoke and vapors out of the cooking area and vents them outside through an external wall.

Vertical and rear exhaust – Provides the option of connecting duct work to either the rear or the top of the hood.

Cooktop light – Provides light to illuminate cooking surface below hood.

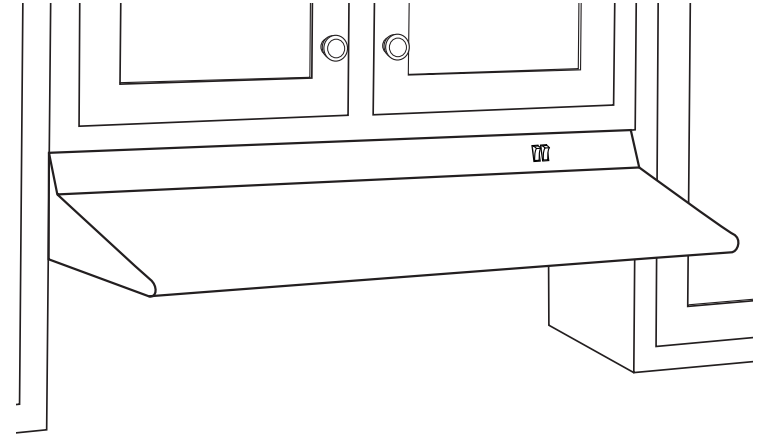
Removable grease filter – Durable filters can be removed for easy cleaning and maintenance.

Rectangular ducting – Hood is designed to fit standard rectangular duct work.

Damper Included

Model JV338HWW – White on white

Model JV338HCC – Bisque on bisque





Garbage Disposals



Model#: GFC325N

GE® 1/3 HP Continuous Feed Garbage Disposer - Corded

Approx Dimensions (HxWxD): 12 11/16 H x 5 1/2 W x 5 3/16 D

- 1/3-HP motor-Grind food faster and minimize clogging with a 1/3 HP garbage disposal that reaches its maximum spin speed in no time. This is the recommended high-speed disposal for a family of 1-2 people.
- Over 2,300 RPM-Always reliable, this over 2,300 RPM food disposal finely grinds tough foods like cooked pasta, fruit peels, rice and cereal
- Easy Installation-This DIY, easy installation food disposal only requires a few steps and has everything you need included in the box.
- Reduce Waste-This anti-jam food disposal reduces waste and keeps kitchens clean by easily grinding food scraps, making it easier to minimize food sent to landfills.
- 25-Ounce Grind Chamber Capacity-This 25-ounce grind chamber has plenty of capacity so you can grind more types of food, which reduces food waste and helps you keep your kitchen clean. This is the recommended food disposal for a family of 1-2 people.
- Galvanized Steel Grinding Impellers-This anti-jam design food disposal has durable, galvanized steel grinding components that last a long time and prevent clogs.
- Septic Safe-This septic safe food disposal works with properly maintained septic systems. Additional accessories are not needed.



Model#: GFC525N

GE® 1/2 HP Continuous Feed Garbage Disposer - Corded

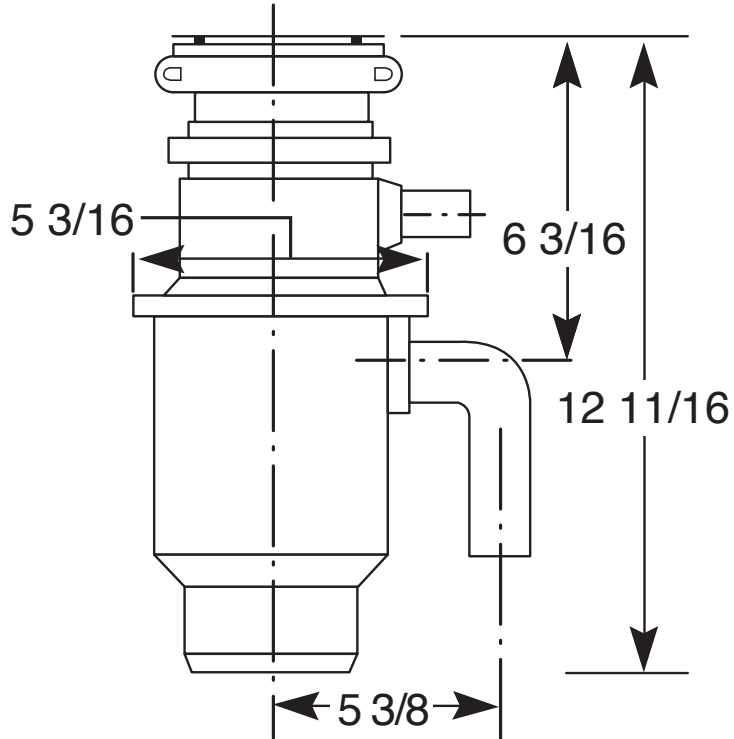
Approx Dimensions (HxWxD): 12 11/16 H x 5 1/2 W x 5 3/16 D

- 1/2 HP Motor-A reliable 1/2 HP motor helps this garbage disposal quickly reach its maximum spin speed, so it can grind food faster without jamming or clogging. This is the recommended high-speed disposal for a family of 2-4 people
- Over 2,600 RPM-Perfect for owners who cook often, this over 2,600 RPM food disposal spins at a high speed to finely grind tough foods like cooked meat, beans, seeds and potato peels.
- Easy Installation-This DIY, easy installation food disposal only requires a few steps and has everything you need included in the box.
- Reduce Waste-This anti-jam food disposal reduces waste and keeps kitchens clean by easily grinding food scraps, making it easier to minimize food sent to landfills.
- 25-Ounce Grind Chamber Capacity-This 25-ounce grind chamber has plenty of capacity so you can grind more types of food, which reduces food waste and helps you keep your kitchen clean. This is the recommended food disposal for a family of 1-2 people.
- Stainless Steel Grinding Impellers-This anti-jam garbage disposal is designed with durable, rust-resistant stainless steel grinding components that stay sharp longer than other metals.
- Septic Safe-This septic safe food disposal works with properly maintained septic systems. Additional accessories are not needed.

GFC325N

GE[®] 1/3 Horsepower Continuous-Feed Disposer

DISPOSALL[®] FOOD WASTE DISPOSER DIMENSIONS (IN INCHES)



| INLET/OUTLET DIAMETERS | |
|---------------------------------|-------|
| Dishwasher inlet diameter (in.) | 1 |
| Drain outlet diameter (in.) | 1-1/2 |

| POWER/RATINGS | |
|------------------|-------------------|
| Power Connection | Line Cord |
| Volts/Hertz/Amps | 120 V/60 Hz/4.0 A |



For answers to your GE Profile[™] Series or GE Appliances product questions, visit our website at geappliances.com or call GE Answer Center[®] Service, 800.626.2000.



Specification Revised 4/19

GFC325N

GE® 1/3 Horsepower Continuous-Feed Disposer

FEATURES AND BENEFITS

1/3 Horsepower Motor

Large-Capacity, Continuous-Feed Disposer

Over 2,300 RPM Grinding Action*

Stainless Steel Jam-Resistant, Dual-Swivel Impellers

EZ Mount installation

Line Cord Power Connection, length = 35"

Standard Sound Insulation Package

Cold Rolled Carbon Steel Armature Shaft Material

SplashGuard

Wall Switch with Sink Stopper

Manual Reset Overload Protector

Dishwasher Drain Connector

Stainless Steel Sink Flange

Galvanized Steel Turntable

2 Level Precutter

Model GFC325N

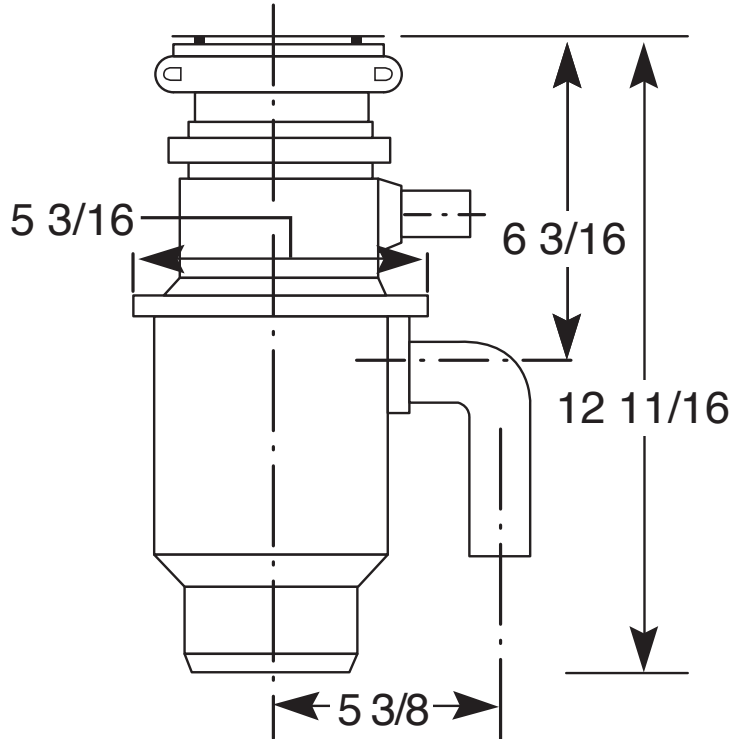
*Based on RPM testing of cleared GE and competitive models



GFC525N

GE® 1/2 Horsepower Continuous-Feed Disposer

DISPOSALL® FOOD WASTE DISPOSER DIMENSIONS (IN INCHES)



| INLET/OUTLET DIAMETERS | |
|---------------------------------|-------|
| Dishwasher inlet diameter (in.) | 1 |
| Drain outlet diameter (in.) | 1-1/2 |

| POWER/RATINGS | |
|------------------|-------------------|
| Power Connection | Line Cord |
| Volts/Hertz/Amps | 120 V/60 Hz/4.5 A |



For answers to your GE Profile™ Series or GE Appliances product questions, visit our website at geappliances.com or call GE Answer Center® Service, 800.626.2000.



Specification Revised 4/19

GFC525N

GE® 1/2 Horsepower Continuous-Feed Disposer

FEATURES AND BENEFITS

1/2 Horsepower Motor

Large-Capacity, Continuous-Feed Disposer

Over 2,600 RPM Grinding Action*

Stainless Steel Jam-Resistant, Dual-Swivel Impellers

EZ Mount installation

Line Cord Power Connection, length = 35"

Standard Sound Insulation Package

Cold Rolled Carbon Steel Armature Shaft Material

SplashGuard

Wall Switch with Sink Stopper

Manual Reset Overload Protector

Dishwasher Drain Connector

Stainless Steel Sink Flange

Galvanized Steel Turntable

2 Level Precutter

Model GFC525N

*Based on RPM testing of cleared GE and competitive models





Laundry



Model#: GTW335ASNWW

GE® 4.2 cu. ft. Capacity Washer with Stainless Steel Basket

Approx Dimensions (HxWxD):
44 H x 27 W x 27 D

- Deep Clean Cycle-Achieve the ultimate deep clean for your toughest laundry loads with 67% more cleaning power than the most commonly used cycle*. *Colors, Normal cycle
- 4.2 cu ft Capacity-Wash large items and do laundry less often with a large 4.2 cubic feet of capacity
- Water Level/Load Size-Take the guesswork out of choosing the right water level with PreciseFill or manually select any water level for maximum cleaning performance
- Deep Rinse-Ensure clothes are rinsed free of detergent, fabric softener and stubborn soils

Model#: GTD33GASKWW

GE® 7.2 cu. ft. Capacity aluminized alloy drum Gas Dryer

Approx Dimensions (HxWxD):
44 H x 27 W x 29 1/2 D

- Auto Dry-For clothes that come out feeling and looking great, this setting monitors air temperature to set the optimal drying time
- Up to 120 ft. venting capability-Provides flexible installation
- Aluminized alloy drum-Improves energy efficiency and resists corrosion
- 3 heat selections-Offer a choice of drying temperatures for personalized fabric care

Model#: GTW220ACKWW

GE® 3.8 cu. ft. capacity stainless steel basket

Approx Dimensions (HxWxD):
44 H x 27 W x 27 D

- Stainless steel basket-Long-lasting stainless steel finish resists rust and won't chip, peel or snag clothes
- Dual-Action Agitator-Achieve a thorough clean every time with an agitator that enables a reversing, powerful wash action
- PreciseFill with the option of 4 water level selections-Select your preferred load size for the desired water level or let the machine automatically sense the load and add the amount of water needed to ensure great cleaning results
- Load size-Select your preferred load size for the desired water level

Model#: GTX22EASKWW

GE® 6.2 cu. ft. capacity aluminized alloy drum electric dryer

Approx Dimensions (HxWxD):
44 H x 27 W x 26 3/4 D

- Auto Dry-For clothes that come out feeling and looking great, this setting monitors air temperature to set the optimal drying time
- Up to 120 ft. venting capability-Provides flexible installation
- Aluminized alloy drum-Improves energy efficiency and resists corrosion
- 3 heat selections-Offer a choice of drying temperatures for personalized fabric care

Model#: GTX22GASKWW

GE® 6.2 cu. ft. capacity aluminized alloy drum gas dryer

Approx Dimensions (HxWxD):
44 H x 27 W x 26 3/4 D

- Auto Dry-For clothes that come out feeling and looking great, this setting monitors air temperature to set the optimal drying time
- Up to 120 ft. venting capability-Provides flexible installation
- Aluminized alloy drum-Improves energy efficiency and resists corrosion
- 3 heat selections-Offer a choice of drying temperatures for personalized fabric care



Laundry

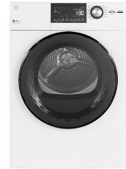


Model#: GFW148SSMWW

GE@ 24" 2.4 Cu. Ft. ENERGY STAR® Front Load Washer with Steam

Approx Dimensions (HxWxD):
33 1/4 H x 23 7/16 W x 25 5/8 D

- Plugs into Dryer or Wall-Washer plugs into GE 24" Ventless Condenser or 24" Vented dryer or properly installed 120-Volt wall receptacle for easy installation
- Stainless steel basket-Long-lasting stainless steel finish resists rust and won't chip, peel or snag clothes
- Steam-Penetrates deep into fabric fibers, loosening stains like tomato and grass, yet protecting your fabrics
- ENERGY STAR® qualified-Meets or exceeds federal guidelines for energy efficiency for year-round energy and money savings



Model#: GFD14ESSNWW

GE@ 24" 4.3 Cu.Ft. Front Load Vented Electric Dryer with Stainless Steel Basket

Approx Dimensions (HxWxD):
33 1/4 H x 23 7/16 W x 25 1/4 D

- Sensor Dry with dual thermistors-Continually monitors moisture and temperature to prevent clothing wear and tear that can result from over-drying and inconsistent heat
- 13 Dry Cycles-Delivers optimal drying results with a customized cycle for every load
- WiFi Capable-Monitor performance and checks cycle status using your mobile device. *Required ConnectPlus accessory part number PBX10W00Y0 sold separately
- Outlet for Washer-Provides an outlet for the washer for easy and flexible installation



Model#: GUD24ESSMWW

GE Unitized Spacemaker® 2.3 cu. ft. Capacity Washer with Stainless Steel Basket

Approx Dimensions (HxWxD):
74 7/8 H x 23 3/4 W x 27 3/8 D

- Rotary- electromechanical controls (dryer)-Allow fast, easy cycle selection
- 11 wash cycles-Cycles are designed to specifically handle various fabrics and soils
- 6 wash / rinse temperatures-Select the right temperature for ideal wash results
- 1 wash / spin speed combination-Speeds are matched to fabric type for great clothes care



Model#: GUD27ESSMWW

GE Unitized Spacemaker® 3.8 cu. ft. Capacity Washer with Stainless Steel Basket

Approx Dimensions (HxWxD):
75 7/8 H x 26 3/4 W x 30 7/8 D

- Rotary- electromechanical controls (dryer)-Allow fast, easy cycle selection
- 11 wash cycles-Cycles are designed to specifically handle various fabrics and soils
- 6 wash / rinse temperatures-Select the right temperature for ideal wash results
- 1 wash / spin speed combination-Speeds are matched to fabric type for great clothes care

Also Available in:

GUD27ESSMWW - White on White

GUD27ESPMDG - Diamond Gray

GTW335ASN

GE® 4.2 DOE Cu. Ft. Capacity Stainless Steel Basket Washer

DIMENSIONS AND INSTALLATION INFORMATION (IN INCHES)

CIRCUIT REQUIREMENTS: An individual, properly-grounded branch circuit, with a three-prong grounding-type receptacle, protected by a 15 or 20 amp circuit breaker or a time-delay fuse, is required.

ELECTRICAL RATING:

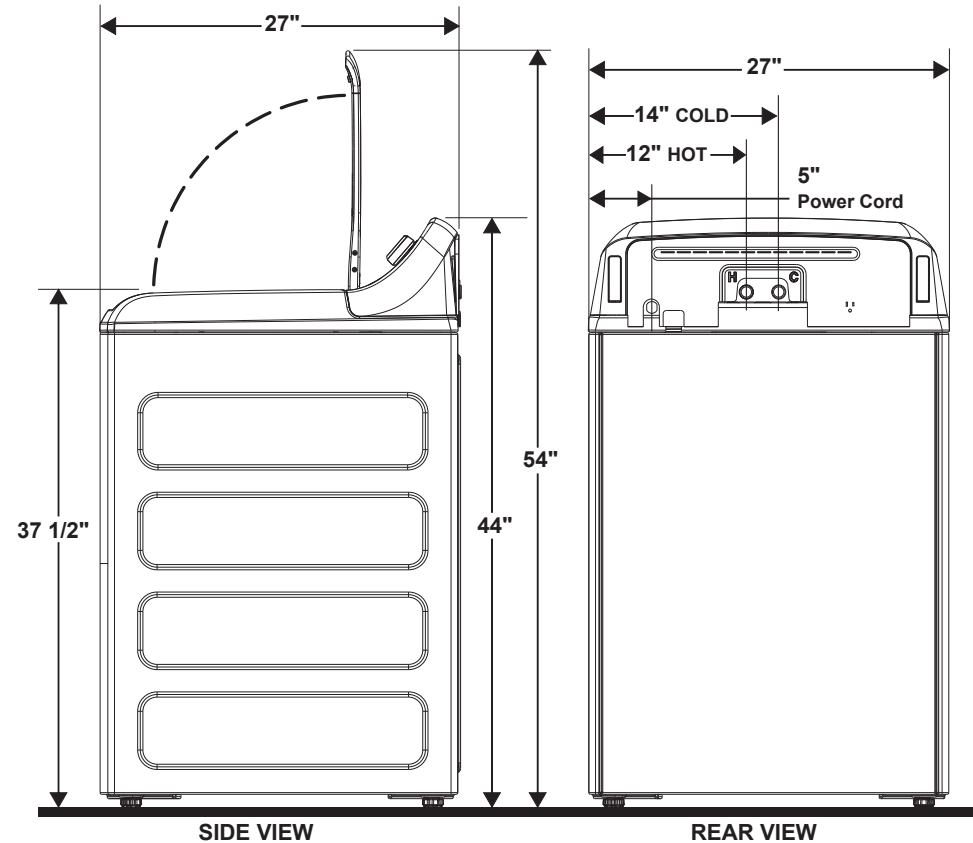
120V, 60Hz

WASHER NOTE:

Washer wall outlet must be located within 36" of service cord entry. Wall outlet must not be located behind dryer.

INSTALLATION INFORMATION:

Before installing, consult installation instructions packed with your washer.



For answers to your Monogram, GE Café™ Series, GE Profile™ Series or GE Appliances product questions, visit our website at geappliances.com or call GE Answer Center® Service, 800.626.2000.



Specification Created 1/19

GTW335ASN

GE® 4.2 DOE Cu. Ft. Capacity Stainless Steel Basket Washer

FEATURES AND BENEFITS

Deep Clean Cycle – Achieve the ultimate deep clean for your toughest laundry loads with 67% more cleaning power than the most commonly used cycle*. *Colors, Normal cycle

Capacity – Wash large items and do laundry less often with a large 4.2 cubic feet of capacity.

Water Level/Load Size – Take the guesswork out of choosing the right water level with PreciseFill or manually select any water level for maximum cleaning performance.

Deep Rinse – Ensure clothes are thoroughly rinsed free of detergent, fabric softener and other additives.

Heavy-Duty Agitator – Thoroughly clean every load thanks to a powerful washing motion.

Stainless Steel Basket – Long-lasting, durable stainless steel resists rust and won't chip, peel or snag clothes.

Made in America – This appliance is made in America and contains 70 to 90% U.S. content.

11 Wash Cycles – Choose from 11 wash cycles that accommodate every load type.

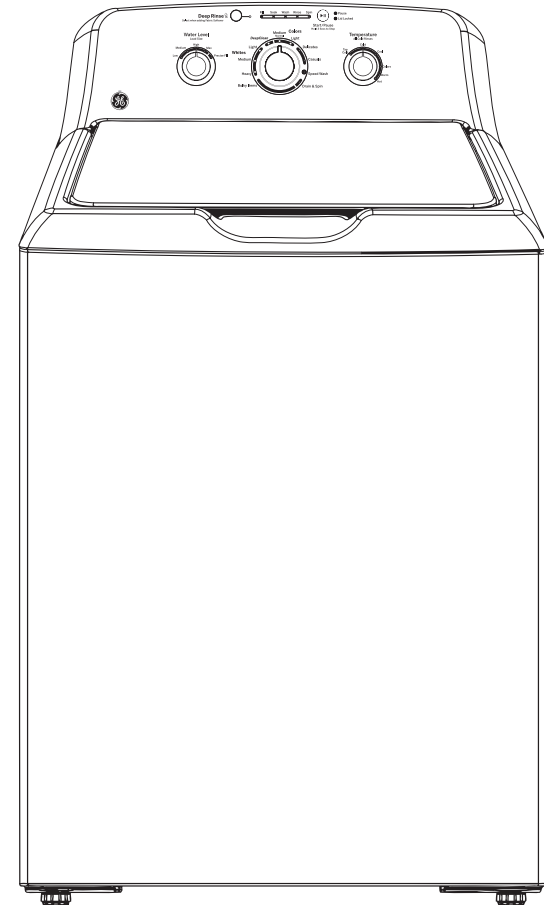
6 Water Temperatures – Pick the water temperature you prefer and wash your way.

700 RPM Spin Speed – Efficiently remove water and minimize drying time with a fast spin speed.

Bleach and Fabric Softener Dispensers – Improve results with dispensers that automatically release bleach and fabric softener at the optimal point during the wash cycle.

Cycle Status Lights – Easily track your wash cycle with lights that indicate fill, soak, wash, rinse or spin status with just a glance.

Model GTW335ASNWW – White



GTD33GASK

GE Appliances 7.2 Cu. Ft. Capacity Aluminized Alloy Drum Gas Dryer

DIMENSIONS AND INSTALLATION INFORMATION (IN INCHES)

EXHAUST OPTION: When viewed from the front of the unit, exhaust 3-way via rear, left and bottom. Dryer is shipped exhausted to the rear. Alternate exhausting knockouts are supplied.

GAS: An individual, properly-grounded branch circuit, with a three-prong grounding-type receptacle, protected by a 15 or 20 amp circuit breaker or a time-delay fuse is required.

GAS DRYER ELECTRIC RATING:

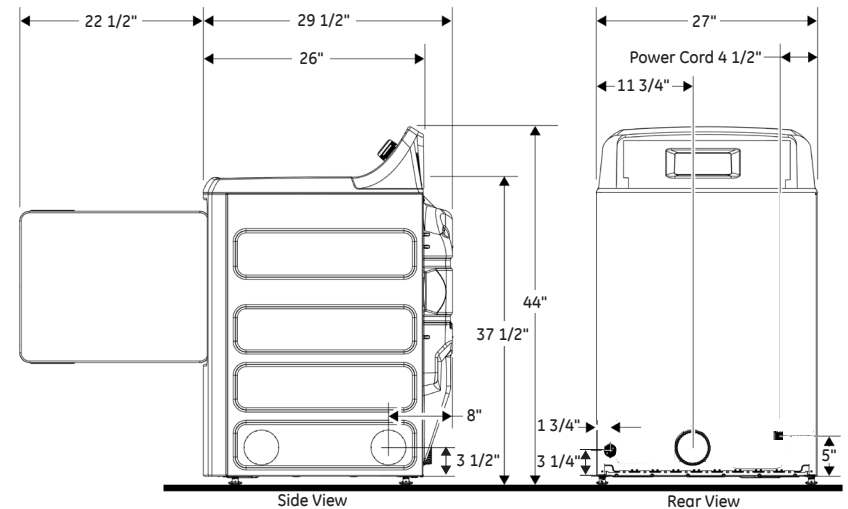
120V, 60Hz, 6A

GAS (BTU/HR): 22,000. Factory-equipped for natural gas. Tested for LP gas. LP gas supply requires a conversion kit. Check installation instructions for correct kit and have a qualified gas technician install a conversion kit. See dryer ducting information for proper installation.

NOTE: Dryer wall outlet must be located within 36" of service cord entry and accessible when dryer is mounted in position.

INSTALLATION INFORMATION:

For complete information, see installation instructions packed with your dryer.



SPECIAL INSTALLATION REQUIREMENTS

ALCOVE OR CLOSET INSTALLATION:

- If your dryer is approved for installation in an alcove or closet, it will be stated on a label on the dryer back.
- The dryer **MUST** be exhausted to the outside.
- Minimum clearances between dryer cabinet and adjacent walls or other surfaces are: 0" either side; 1" front, top and rear
- Closet doors must be louvered or otherwise ventilated and must contain a minimum of 60 sq. in. of open area equally distributed. If this closet contains both a washer and a dryer, doors must contain a minimum of 120 sq. in. of open area equally distributed.
- No other fuel-burning appliance shall be installed in the same closet with a gas dryer.

BATHROOM OR BEDROOM INSTALLATION:

- The dryer **MUST** be exhausted to the outdoors.
- The installation must conform with the local codes, or in the absence of local codes, with the National Electric Code and National Fuel Gas Code, ANSI Z223 for gas dryers.

MINIMUM CLEARANCES OTHER THAN ALCOVE OR CLOSET INSTALLATION:

- Minimum clearances to combustible surfaces are: 0" both sides; 1" rear

DRYER EXHAUSTING INFORMATION:

Use metal duct only, vertical and horizontal ducting.



For answers to your Monogram, GE Café™ Series, GE Profile™ Series or GE Appliances product questions, visit our website at geappliances.com or call GE Answer Center® Service, 800.626.2000.



Specification Revised 7/16

GTD33GASK

GE Appliances 7.2 Cu. Ft. Capacity Aluminized Alloy Drum Gas Dryer

FOR COMPLETE INFORMATION, SEE INSTALLATION INSTRUCTIONS PACKED WITH YOUR DRYER.

DUCTING MATERIALS:

For best performance, this dryer should be vented with 4" diameter all rigid metal exhaust duct. If rigid metal duct cannot be used, then UL-listed flexible metal (semi-rigid) ducting can be used (Kit WX08X10077). In special installations, it may be necessary to connect the dryer to the house vent using a flexible metal (foil-type) duct. A UL-listed flexible metal (foil-type) duct may be used **ONLY** in installations where rigid metal or flexible metal (semi-rigid) ducting cannot be used **AND** where a 4" diameter can be maintained throughout the entire length of the transition duct. Please see installation instruction packed with your dryer for complete instructions when using flexible metal (foil type) ducting.

EXHAUST LENGTH CALCULATION:

1. Determine the number of 90° turns needed for your installation. If you exhaust to the side or bottom of dryer, add one turn.
2. The maximum length of 4" rigid (aluminum or galvanized) duct which can be tolerated is shown in the table. A turn of 45° or less may be ignored. Two 45° turns within the duct length should be treated as a 90° elbow. A turn over 45° should be treated as a 90° elbow.

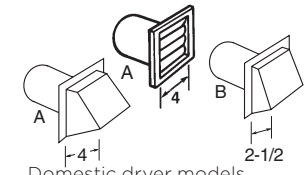
Dryers **must** be exhausted to the outside.

CAUTION: For personal safety do not terminate exhaust into a chimney, under any enclosed house floor (crawl space), or into an attic, since the accumulated lint could create a fire hazard or moisture could cause damage. Never terminate the exhaust into a common duct or plenum with a kitchen exhaust, since the combination of lint and grease could create a fire hazard.

Exhaust ducts should be terminated in a dampered wall cap to prevent back drafts, bird nesting, etc. The wall cap must also be located at least 12" above the ground or any other obstruction with the opening pointed down.

FOR MORE INFORMATION ON VENTING KITS AND ACCESSORIES, PLEASE CALL 1-800-GE-CARES.

DRYER EXHAUSTING INFORMATION— USE METAL DUCT ONLY VERTICAL AND HORIZONTAL DUCTING



| BEST PERFORMANCE | | | |
|---|---------------------|------------|----------------|
| Maximum length of 4" dia rigid metal duct | | | |
| Exhaust hood type | | | |
| Domestic dryer models | Number of 90° turns | A | B |
| | | 4" opening | 2-1/2" opening |
| Long Vent 6.1-7.4 cu. ft. capacity electric & gas (GTD33, GTD42, GTD45, GTD65, GTX22, GTX33, GTX42 and GTX65) | 0 | 120 ft. | 90 ft. |
| | 1 | 100 ft. | 75 ft. |
| | 2 | 85 ft. | 65 ft. |
| | 3 | 70 ft. | 55 ft. |
| | 4 | 60 ft. | 45 ft. |
| 5 | 55 ft. | 35 ft. | |

For every extra 90° elbow, reduce the allowable vent system length by 10 ft.
Two 45° elbows will be treated like one 90° elbow.
For the side exhaust installations, add one 90° elbow to the chart.
When calculating the total vent system length, you must add all the straight portions and elbows of the system (including the transition duct).



For answers to your Monogram, GE Café™ Series, GE Profile™ Series or GE Appliances product questions, visit our website at geappliances.com or call GE Answer Center® Service, 800.626.2000.

GTD33GASK

GE Appliances 7.2 Cu. Ft. Capacity Aluminized Alloy Drum Gas Dryer

FEATURES AND BENEFITS

Aluminized alloy drum – Improves energy efficiency and resists corrosion

3 heat selections – Offer a choice of drying temperatures for personalized fabric care.

Up to 120 ft. venting capability – Provides flexible installation

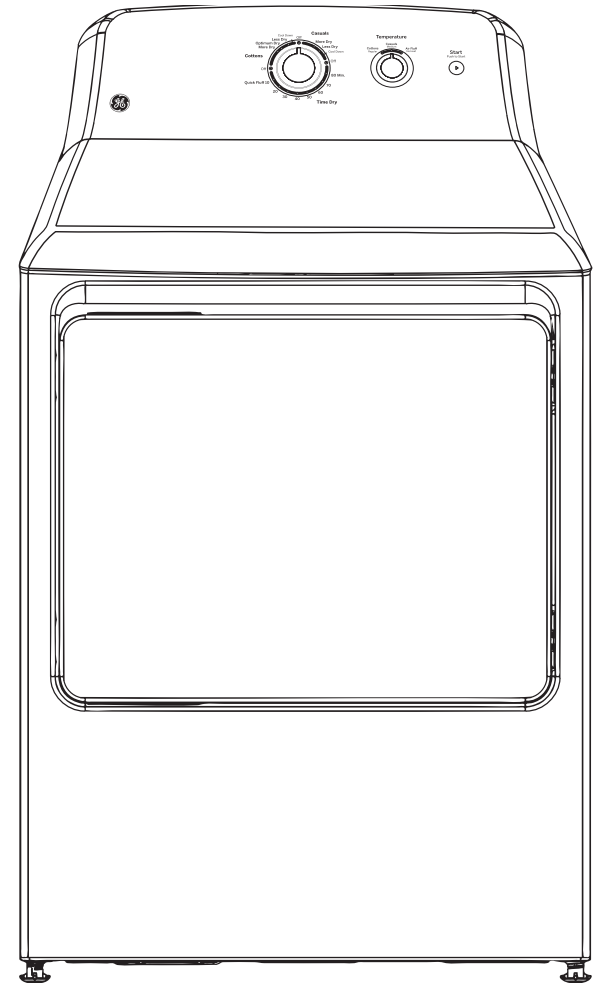
Auto Dry – For clothes that come out feeling and looking great, this setting monitors air temperature to set the optimal drying time

Rotary electromechanical controls – Make it simple to set cycles

Up-front lint filter – Makes cleaning out lint easy

Reverse-a-door – Door opening can be reversed to meet laundry room needs

Model GTD33GASKWW – White



GTW220ACK

GE Appliances 3.8 DOE Cu. Ft. Capacity Stainless Steel Basket Washer

DIMENSIONS AND INSTALLATION INFORMATION (IN INCHES)

CIRCUIT REQUIREMENTS: An individual, properly-grounded branch circuit, with a three-prong grounding-type receptacle, protected by a 15 or 20 amp circuit breaker or a time-delay fuse, is required.

ELECTRICAL RATING:

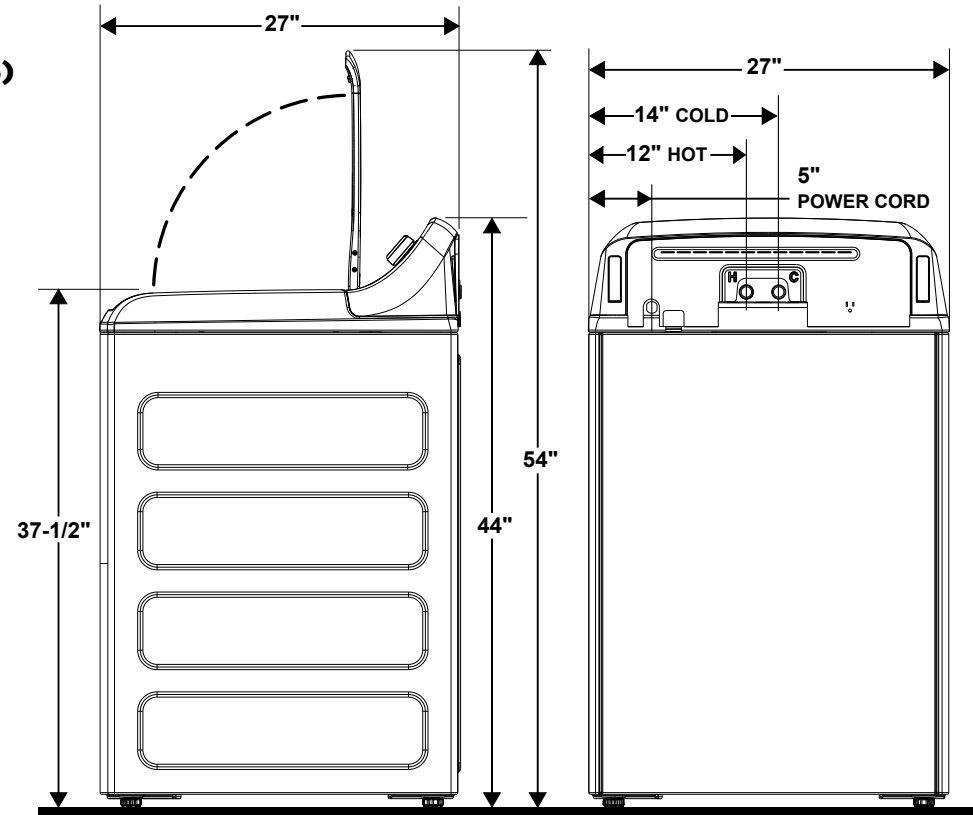
120V, 60Hz

WASHER NOTE:

Washer wall outlet must be located within 36" of service cord entry. Wall outlet must not be located behind dryer.

INSTALLATION INFORMATION:

Before installing, consult installation instructions packed with your washer.



For answers to your Monogram, GE Café™, GE Profile™ or GE Appliances product questions, visit our website at geappliances.com or call GE Answer Center® Service, 800.626.2000.



Listed by
Underwriters
Laboratories

GTW220ACK

GE Appliances 3.8 DOE Cu. Ft. Capacity Stainless Steel Basket Washer

FEATURES AND BENEFITS

Stainless steel basket – Long-lasting stainless steel finish resists rust and won't chip, peel or snag clothes

Dual-Action Agitator – Achieve a thorough clean every time with an agitator that enables a reversing, powerful wash action

PreciseFill with the option of 4 water level selections – Select your preferred load size for the desired water level or let the machine automatically sense the load and add the amount of water needed to ensure great cleaning results

Load size – Select your preferred load size for the desired water level

Rotary electronic controls with cycle status lights – Know the progress of the wash cycle with just a quick glance

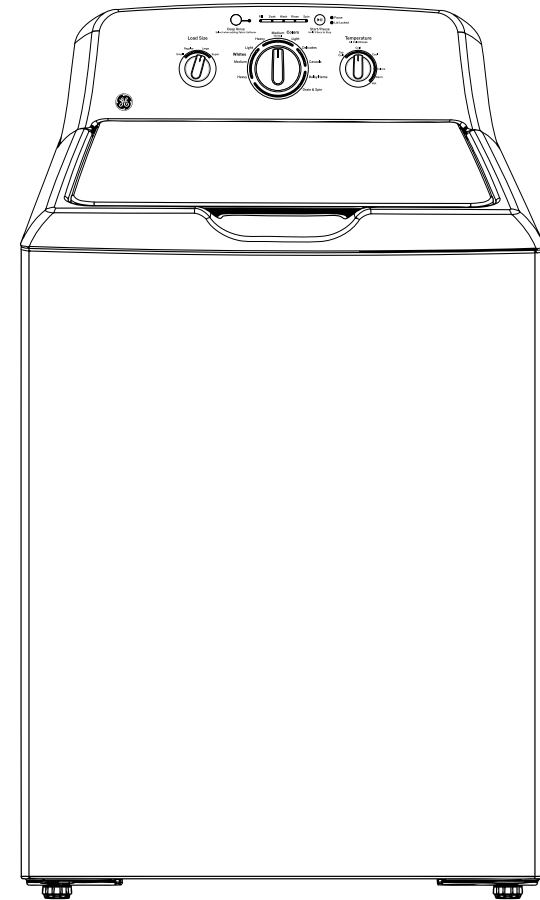
10 wash cycles – Multiple cycles are designed to specifically handle various fabrics and soils

Deep Rinse – When selected, the deep rinse cycle ensure clothes are rinsed of soap residue and fabric softener

700 RPM spin speed – Fast spin speeds remove water efficiently and minimize dry time

Inlet fill hoses included

Model GTW220ACKWW – White



GTX22EASK

GE Appliances Series 6.2 Cu. Ft. Capacity Aluminized Alloy Drum Electric Dryer

DIMENSIONS AND INSTALLATION INFORMATION (IN INCHES)

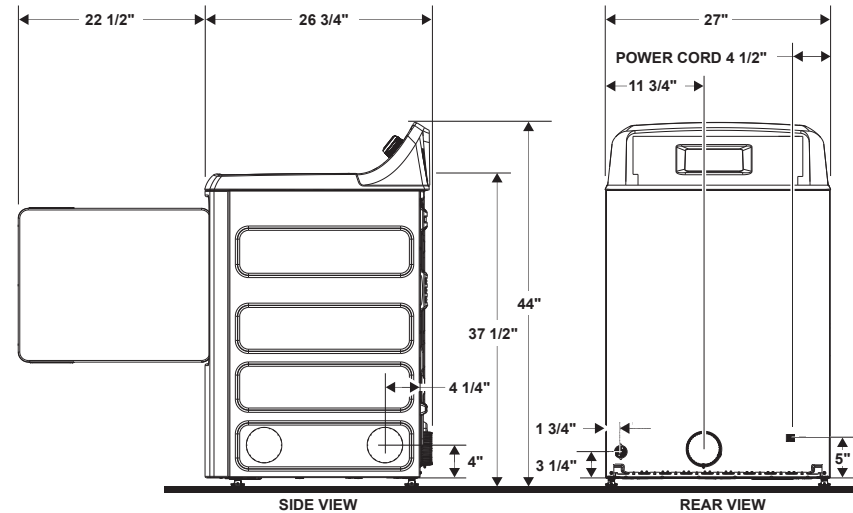
| ELECTRIC DRYER RATING: | | | |
|------------------------|-------|-----|------|
| 240V | 5600W | 24A | 60Hz |
| 208V | 4400W | 22A | 60Hz |

EXHAUST OPTION: 4-way rear, right, left and bottom

CIRCUIT REQUIREMENTS: An individual, properly-grounded branch circuit, protected by a 30-amp circuit breaker or a time-delay fuse, is required.

NOTE: Dryer wall outlet must be located within 36" of service cord entry and accessible when dryer is mounted in position.

INSTALLATION INFORMATION: For complete information, see installation instructions packed with your dryer.



SPECIAL INSTALLATION REQUIREMENTS

ALCOVE OR CLOSET INSTALLATION:

- If your dryer is approved for installation in an alcove or closet, it will be stated on a label on the dryer back.
- The dryer **MUST** be exhausted to the outside.
- Minimum clearances between dryer cabinet and adjacent walls or other surfaces are: 0" either side; 1" front, top and rear
- Closet doors must be louvered or otherwise ventilated and must contain a minimum of 60 sq. in. of open area equally distributed. If this closet contains both a washer and a dryer, doors must contain a minimum of 120 sq. in. of open area equally distributed.
- No other fuel-burning appliance shall be installed in the same closet with a gas dryer.

BATHROOM OR BEDROOM INSTALLATION:

- The dryer **MUST** be exhausted to the outdoors.
- The installation must conform with the local codes, or in the absence of local codes, with the National Electric Code and National Fuel Gas Code, ANSI Z223 for gas dryers.

MINIMUM CLEARANCES OTHER THAN ALCOVE OR CLOSET INSTALLATION:

- Minimum clearances to combustible surfaces are: 0" both sides; 1" rear

DRYER EXHAUSTING INFORMATION:

Use metal duct only, vertical and horizontal ducting.



For answers to your Monogram, GE Café™ Series, GE Profile™ Series or GE Appliances product questions, visit our website at geappliances.com or call GE Answer Center® Service, 800.626.2000.



Specification Revised 7/16

GTX22EASK

GE Appliances Series 6.2 Cu. Ft. Capacity Aluminized Alloy Drum Electric Dryer

FOR COMPLETE INFORMATION, SEE INSTALLATION INSTRUCTIONS PACKED WITH YOUR DRYER.

DUCTING MATERIALS:

For best performance, this dryer should be vented with 4" diameter all rigid metal exhaust duct. If rigid metal duct cannot be used, then UL-listed flexible metal (semi-rigid) ducting can be used (Kit WX08X10077). In special installations, it may be necessary to connect the dryer to the house vent using a flexible metal (foil-type) duct. A UL-listed flexible metal (foil-type) duct may be used **ONLY** in installations where rigid metal or flexible metal (semi-rigid) ducting cannot be used **AND** where a 4" diameter can be maintained throughout the entire length of the transition duct. Please see installation instruction packed with your dryer for complete instructions when using flexible metal (foil type) ducting.

EXHAUST LENGTH CALCULATION:

1. Determine the number of 90° turns needed for your installation. If you exhaust to the side or bottom of dryer, add one turn.
2. The maximum length of 4" rigid (aluminum or galvanized) duct which can be tolerated is shown in the table. A turn of 45° or less may be ignored. Two 45° turns within the duct length should be treated as a 90° elbow. A turn over 45° should be treated as a 90° elbow.

Dryers **must** be exhausted to the outside.

CAUTION: For personal safety do not terminate exhaust into a chimney, under any enclosed house floor (crawl space), or into an attic, since the accumulated lint could create a fire hazard or moisture could cause damage. Never terminate the exhaust into a common duct or plenum with a kitchen exhaust, since the combination of lint and grease could create a fire hazard.

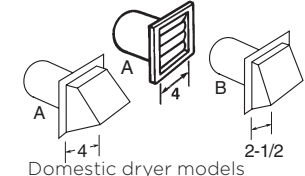
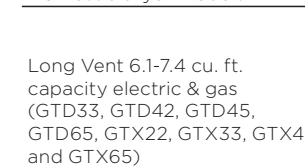
Exhaust ducts should be terminated in a dampered wall cap to prevent back drafts, bird nesting, etc. The wall cap must also be located at least 12" above the ground or any other obstruction with the opening pointed down.

FOR MORE INFORMATION ON VENTING KITS AND ACCESSORIES, PLEASE CALL 1-800-GE-CARES.



For answers to your Monogram, GE Café™ Series, GE Profile™ Series or GE Appliances product questions, visit our website at geappliances.com or call GE Answer Center® Service, 800.626.2000.

DRYER EXHAUSTING INFORMATION— USE METAL DUCT ONLY VERTICAL AND HORIZONTAL DUCTING

| | | BEST PERFORMANCE | |
|--|---------------------|---|----------------|
| | | Maximum length of 4" dia rigid metal duct | |
| | | Exhaust hood type | |
| | | A | B |
| | | 4" opening | 2-1/2" opening |
|  Domestic dryer models | Number of 90° turns | | |
| | 0 | 120 ft. | 90 ft. |
|  Long Vent 6.1-7.4 cu. ft. capacity electric & gas (GTD33, GTD42, GTD45, GTD65, GTX22, GTX33, GTX42 and GTX65) | 1 | 100 ft. | 75 ft. |
| | 2 | 85 ft. | 65 ft. |
| | 3 | 70 ft. | 55 ft. |
| | 4 | 60 ft. | 45 ft. |
| | 5 | 55 ft. | 35 ft. |

For every extra 90° elbow, reduce the allowable vent system length by 10 ft. Two 45° elbows will be treated like one 90° elbow. For the side exhaust installations, add one 90° elbow to the chart. When calculating the total vent system length, you must add all the straight portions and elbows of the system (including the transition duct).



Specification Revised 7/16

GTX22EASK

GE Appliances Series 6.2 Cu. Ft. Capacity Aluminized Alloy Drum Electric Dryer

FEATURES AND BENEFITS

Aluminized alloy drum – Improves energy efficiency and resists corrosion

3 heat selections – Offer a choice of drying temperatures for personalized fabric care.

Up to 120 ft. venting capability – Provides flexible installation

Auto Dry – For clothes that come out feeling and looking great, this setting monitors air temperature to set the optimal drying time

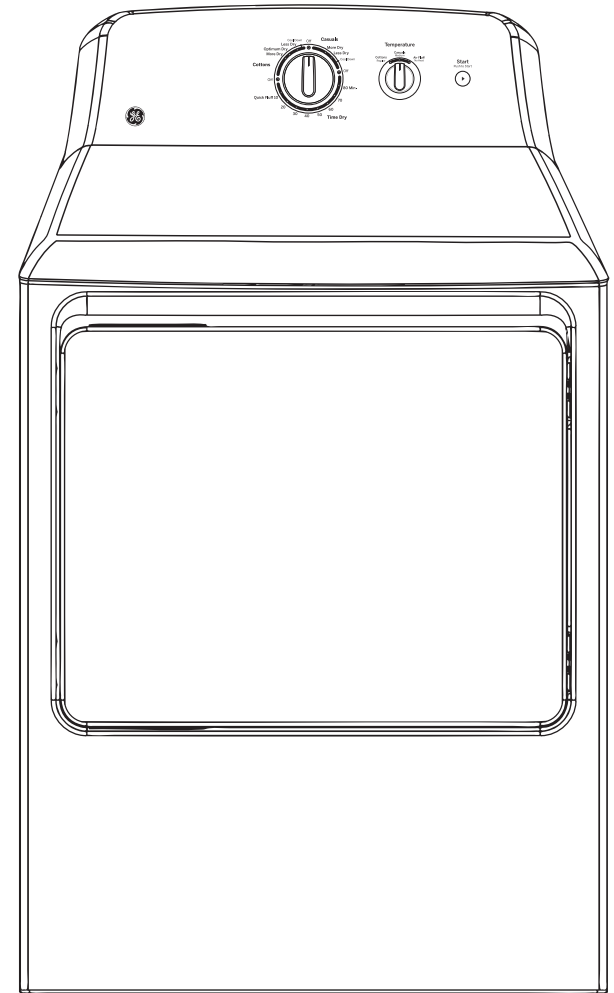
Flat Back Design – Makes it easy to install in small areas like closets and utility rooms where space is limited

Rotary electromechanical controls – Make it simple to set cycles

Up-front lint filter – Makes cleaning out lint easy

Reverse-a-door – Door opening can be reversed to meet laundry room needs

Model GTX22EASKWW – White



GTX22GASK

GE Appliances 6.2 Cu. Ft. Capacity Aluminized Alloy Drum Gas Dryer

DIMENSIONS AND INSTALLATION INFORMATION (IN INCHES)

EXHAUST OPTION: When viewed from the front of the unit, exhaust 3-way via rear, left and bottom. Dryer is shipped exhausted to the rear. Alternate exhausting knockouts are supplied.

GAS: An individual, properly-grounded branch circuit, with a three-prong grounding-type receptacle, protected by a 15 or 20 amp circuit breaker or a time-delay fuse is required.

GAS DRYER ELECTRIC RATING:

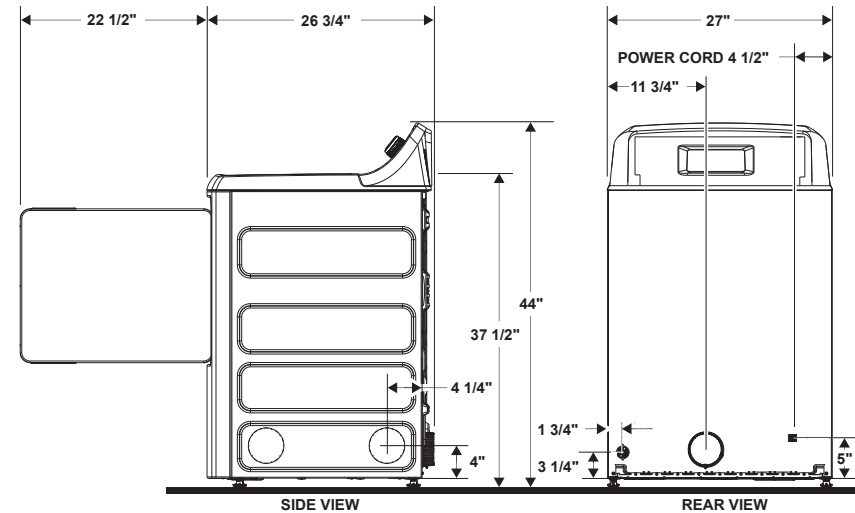
120V, 60Hz, 6A

GAS (BTU/HR): 22,000. Factory-equipped for natural gas. Tested for LP gas. LP gas supply requires a conversion kit. Check installation instructions for correct kit and have a qualified gas technician install a conversion kit. See dryer ducting information for proper installation.

NOTE: Dryer wall outlet must be located within 36" of service cord entry and accessible when dryer is mounted in position.

INSTALLATION INFORMATION:

For complete information, see installation instructions packed with your dryer.



SPECIAL INSTALLATION REQUIREMENTS

ALCOVE OR CLOSET INSTALLATION:

- If your dryer is approved for installation in an alcove or closet, it will be stated on a label on the dryer back.
- The dryer **MUST** be exhausted to the outside.
- Minimum clearances between dryer cabinet and adjacent walls or other surfaces are:
 - 0" either side; 1" front, top and rear
- Closet doors must be louvered or otherwise ventilated and must contain a minimum of 60 sq. in. of open area equally distributed. If this closet contains both a washer and a dryer, doors must contain a minimum of 120 sq. in. of open area equally distributed.
- No other fuel-burning appliance shall be installed in the same closet with a gas dryer.

BATHROOM OR BEDROOM INSTALLATION:

- The dryer **MUST** be exhausted to the outdoors.
- The installation must conform with the local codes, or in the absence of local codes, with the National Electric Code and National Fuel Gas Code, ANSI Z223 for gas dryers.

MINIMUM CLEARANCES OTHER THAN ALCOVE OR CLOSET INSTALLATION:

- Minimum clearances to combustible surfaces are: 0" both sides; 1" rear

DRYER EXHAUSTING INFORMATION:

Use metal duct only, vertical and horizontal ducting.



For answers to your Monogram, GE Café™ Series, GE Profile™ Series or GE Appliances product questions, visit our website at geappliances.com or call GE Answer Center® Service, 800.626.2000.



GTX22GASK

GE Appliances 6.2 Cu. Ft. Capacity Aluminized Alloy Drum Gas Dryer

FOR COMPLETE INFORMATION, SEE INSTALLATION INSTRUCTIONS PACKED WITH YOUR DRYER.

DUCTING MATERIALS:

For best performance, this dryer should be vented with 4" diameter all rigid metal exhaust duct. If rigid metal duct cannot be used, then UL-listed flexible metal (semi-rigid) ducting can be used (Kit WX08XI0077). In special installations, it may be necessary to connect the dryer to the house vent using a flexible metal (foil-type) duct. A UL-listed flexible metal (foil-type) duct may be used **ONLY** in installations where rigid metal or flexible metal (semi-rigid) ducting cannot be used **AND** where a 4" diameter can be maintained throughout the entire length of the transition duct. Please see installation instruction packed with your dryer for complete instructions when using flexible metal (foil type) ducting.

EXHAUST LENGTH CALCULATION:

1. Determine the number of 90° turns needed for your installation. If you exhaust to the side or bottom of dryer, add one turn.
2. The maximum length of 4" rigid (aluminum or galvanized) duct which can be tolerated is shown in the table. A turn of 45° or less may be ignored. Two 45° turns within the duct length should be treated as a 90° elbow. A turn over 45° should be treated as a 90° elbow.

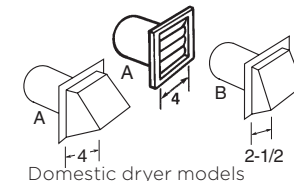
Dryers **must** be exhausted to the outside.

CAUTION: For personal safety do not terminate exhaust into a chimney, under any enclosed house floor (crawl space), or into an attic, since the accumulated lint could create a fire hazard or moisture could cause damage. Never terminate the exhaust into a common duct or plenum with a kitchen exhaust, since the combination of lint and grease could create a fire hazard.

Exhaust ducts should be terminated in a dampered wall cap to prevent back drafts, bird nesting, etc. The wall cap must also be located at least 12" above the ground or any other obstruction with the opening pointed down.

FOR MORE INFORMATION ON VENTING KITS AND ACCESSORIES, PLEASE CALL 1-800-GE-CARES.

DRYER EXHAUSTING INFORMATION— USE METAL DUCT ONLY VERTICAL AND HORIZONTAL DUCTING



| | | BEST PERFORMANCE | |
|---|--|---|----------------|
| | | Maximum length of 4" dia rigid metal duct | |
| | | Exhaust hood type | |
| | | A | B |
| | | 4" opening | 2-1/2" opening |
| Domestic dryer models | | Number of 90° turns | |
| | | 0 | 120 ft. |
| | | 1 | 100 ft. |
| | | 2 | 85 ft. |
| | | 3 | 70 ft. |
| | | 4 | 60 ft. |
| | | 5 | 55 ft. |
| Long Vent 6.1-7.4 cu. ft. capacity electric & gas (GTD33, GTD42, GTD45, GTD65, GTX22, GTX33, GTX42 and GTX65) | | | 90 ft. |
| | | | 75 ft. |
| | | | 65 ft. |
| | | | 55 ft. |
| | | | 45 ft. |
| | | | 35 ft. |

For every extra 90° elbow, reduce the allowable vent system length by 10 ft. Two 45° elbows will be treated like one 90° elbow. For the side exhaust installations, add one 90° elbow to the chart. When calculating the total vent system length, you must add all the straight portions and elbows of the system (including the transition duct).



For answers to your Monogram, GE Café™ Series, GE Profile™ Series or GE Appliances product questions, visit our website at geappliances.com or call GE Answer Center® Service, 800.626.2000.

GTX22GASK

GE Appliances 6.2 Cu. Ft. Capacity Aluminized Alloy Drum Gas Dryer

FEATURES AND BENEFITS

Aluminized alloy drum – Improves energy efficiency and resists corrosion

3 heat selections – Offer a choice of drying temperatures for personalized fabric care.

Up to 120 ft. venting capability – Provides flexible installation

Auto Dry – For clothes that come out feeling and looking great, this setting monitors air temperature to set the optimal drying time

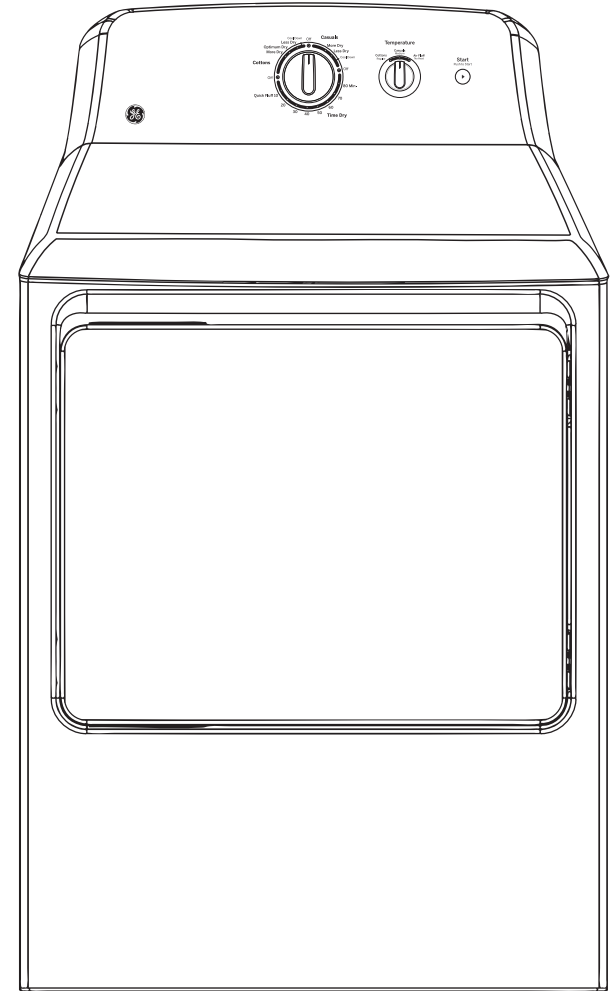
Flat Back Design – Makes it easy to install in small areas like closets and utility rooms where space is limited

Rotary electromechanical controls – Make it simple to set cycles

Up-front lint filter – Makes cleaning out lint easy

Reverse-a-door – Door opening can be reversed to meet laundry room needs

Model GTX22GASKWW – White

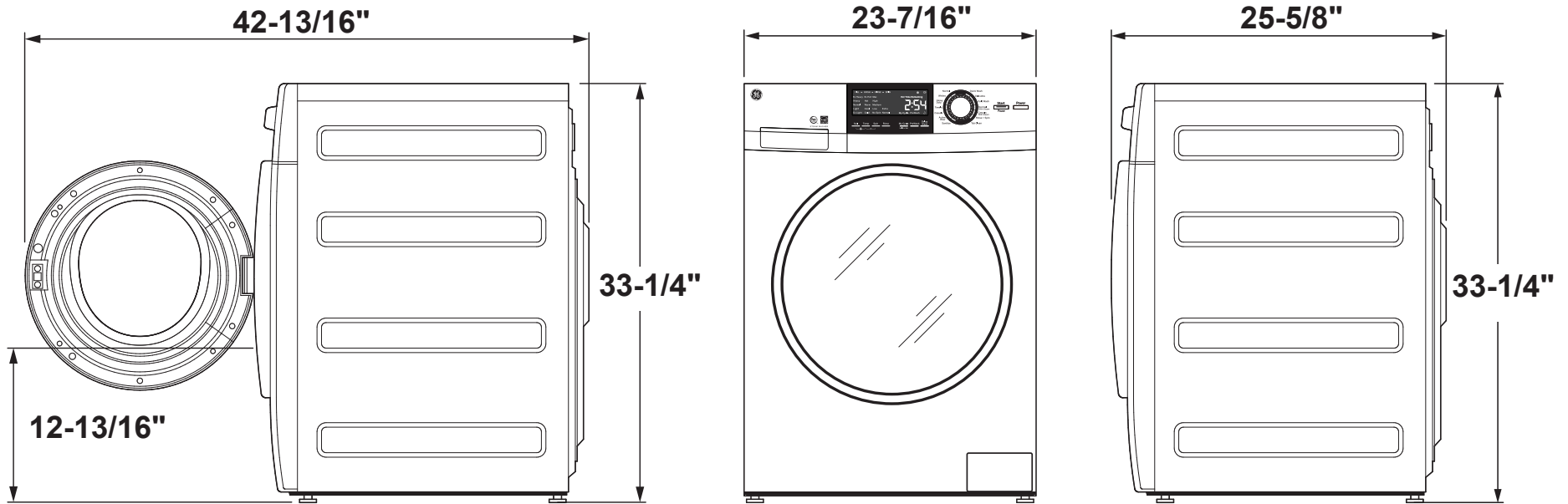


GFW148SSMWW

GE® 2.4 DOE Cu. Ft. ENERGY STAR® Front Load Washer with Steam

DIMENSIONS AND INSTALLATION INFORMATION (IN INCHES)

INSTALLATION INFORMATION: For complete information, see installation instructions packed with your washer.



For answers to your Monogram, GE Café™, GE Profile™ or GE Appliances product questions, visit our website at geappliances.com or call GE Answer Center® Service, 800.626.2000.



Specification Revised 1/21

GEFW148SSMWW

GE 2.4 DOE Cu. Ft. ENERGY STAR® Front Load Washer with Steam

SPECIAL INSTALLATION REQUIREMENTS

ADA COMPLIANCE:

- 4" ADA riser and drip pan for 24" Front Load model: GAF140SSNWW

STACKED INSTALLATION:

- Kit for stacking dryer over washer is not included with the washer.
Order part no. GFA24KITL

ALCOVE OR CLOSET INSTALLATION:

- If your dryer is approved for installation in an alcove or closet, it will be stated on a label on the dryer back.
- The dryer **MUST** be exhausted to the outside with the exception of the condensing dryer.
- Minimum clearances between dryer cabinet and adjacent walls or other surfaces are: 1" left and right sides, 1" top, 3" front and rear.
- Minimum clearances between washer cabinet and adjacent walls or other surfaces are: 1" left and right sides, 1" top, 1" front and rear.
- Closet doors must be louvered or otherwise ventilated and must contain a minimum of 60 sq. in. of open area equally distributed. If this closet contains both a washer and a dryer, doors must contain a minimum of 120 sq. in. of open area equally distributed.
- No other fuel-burning appliance shall be installed in the same closet with a gas dryer.

BATHROOM OR BEDROOM INSTALLATION:

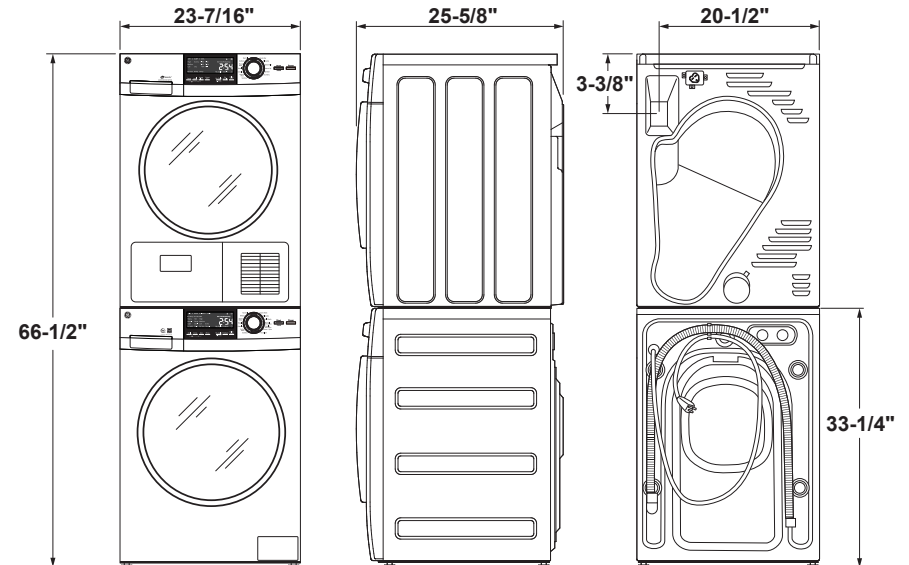
- The dryer **MUST** be exhausted to the outdoors with the exception of the condensing dryer.
- The installation must conform with the local codes, or in the absence of local codes, with the National Electric Code and National Fuel Gas Code, ANSI Z223 for gas dryers.

MINIMUM CLEARANCE OTHER THAN ALCOVE OR CLOSET INSTALLATIONS:

- Minimum clearances to combustible surfaces 0" both sides, 3" rear.

**FOR MORE INFORMATION ON VENTING KITS AND ACCESSORIES,
PLEASE CALL 1-800-GE-CARES.**

STACKED DIMENSIONS (IN INCHES)



For answers to your Monogram, GE Café™, GE Profile™ or GE Appliances product questions, visit our website at geappliances.com or call GE Answer Center® Service, 800.626.2000.



Specification Revised 1/21

GEFW148SSMWW

GE 2.4 DOE Cu. Ft. ENERGY STAR® Front Load Washer with Steam

FEATURES AND BENEFITS

Plugs into Dryer or Wall – Washer plugs into GE Condenser dryer or properly installed 120-Volt wall receptacle for easy installation

Stainless steel basket – Long-lasting stainless steel finish resists rust and won't chip, peel or snag clothes

Steam – Penetrates deep into fabric fibers, loosening stains like tomato and grass, yet protects your fabrics

ENERGY STAR® qualified – Meets or exceeds federal guidelines for energy efficiency for year-round energy and money savings

Electronic touch controls – Enjoy easy operation and cleanability with streamlined controls

14 wash cycles – Multiple cycles are designed to specifically handle various fabrics and soils

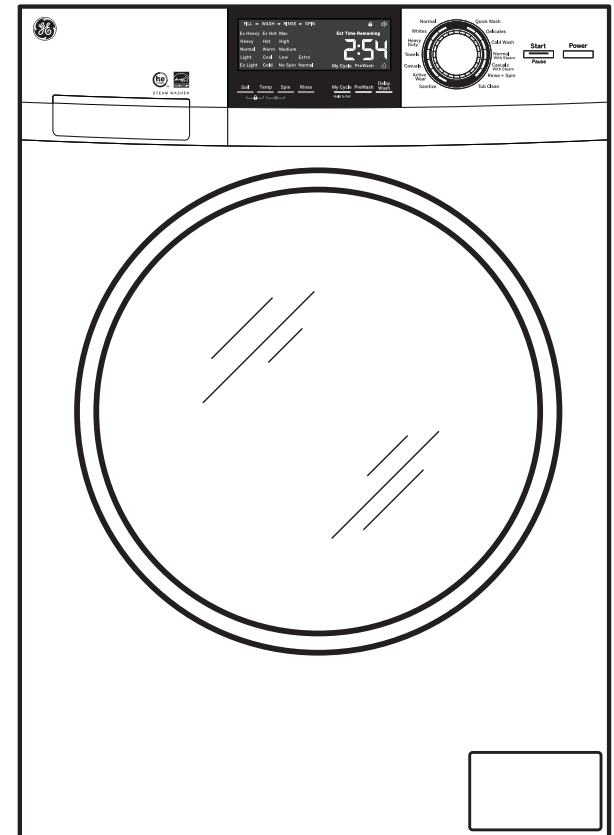
1400 RPM spin speed – Fast spin speeds remove water efficiently and minimize dry time

Inlet fill hoses included

Quick Wash – Provides a quick wash for lightly soiled items that are needed in a hurry

Internal water heater – Increases wash temperature to reduce bacteria and provide better cleaning for the really tough stains

Model GFW148SSMWW – White on white



GFD14ESSNWW

GE® 4.3 Cu.Ft. Capacity Electric Dryer

DIMENSIONS AND INSTALLATION INFORMATION (IN INCHES)

ELECTRIC DRYER RATING

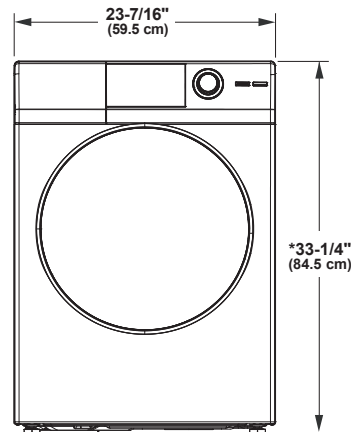
| | |
|------|------------------|
| 240V | 2800W, 12A, 60Hz |
|------|------------------|

CIRCUIT REQUIREMENTS: An individual, properly grounded branch circuit, protected by a 30-amp circuit breaker or a time-delay fuse, is required.

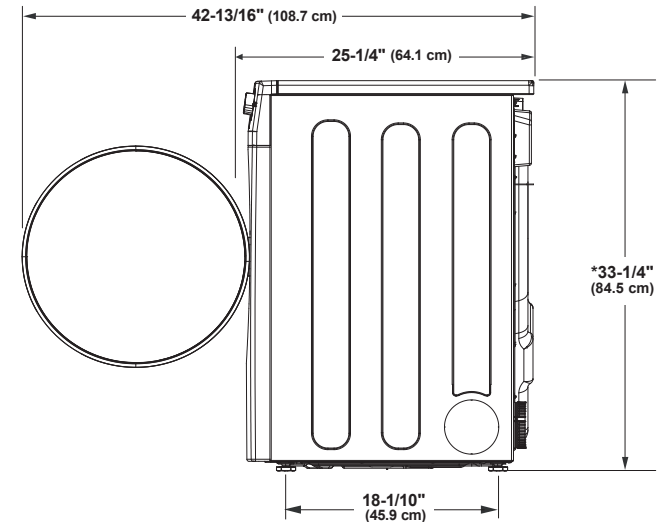
NOTE: Dryer wall outlet must be located within 36" of service cord entry and accessible when dryer is mounted in position.

INSTALLATION INFORMATION: For complete information, see installation instructions packed with your dryer.

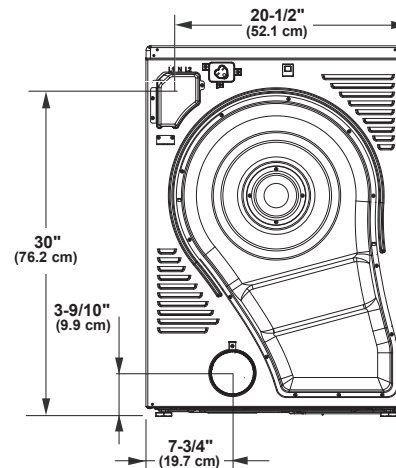
Front View



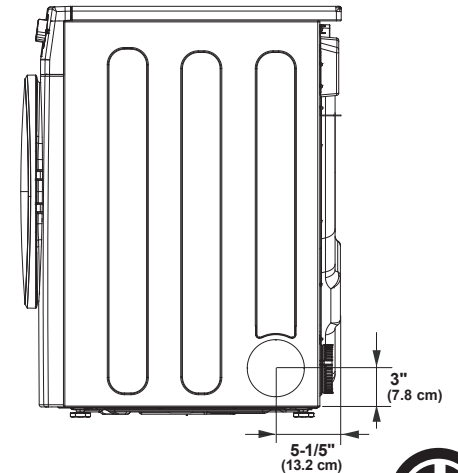
Side View



Back View



Side View



For answers to your Monogram, GE Café™, GE Profile™ or GE Appliances product questions, visit our website at geappliances.com or call GE Answer Center® Service, 800.626.2000.



Specification Revised 10/21

GFD14ESSNWW

GE® 4.3 Cu.Ft. Capacity Electric Dryer

SPECIAL INSTALLATION REQUIREMENTS:

ADA Compliance: 4" ADA riser and drip pan for 24" frontload model: GAF140SSNWW

ALCOVE OR CLOSET INSTALLATION:

Stacking Kit - GFA24KITL (not included)

If your dryer is approved for installation in an alcove or closet, it will be stated on a label on the dryer back.

Minimum clearances between dryer cabinet and adjacent walls or other surfaces are: 0" either side, 1" front and rear, 1" top.

Minimum clearances between washer cabinet and adjacent walls or other surfaces are: 1" left and right sides, 1" top, 1" front and rear.

Closet doors must be louvered or otherwise ventilated and must contain a minimum of 60 sq. in. of open area equally distributed. If this closet contains both a washer and a dryer, doors must contain a minimum of 120 sq. in. of open area equally distributed.

No other fuel-burning appliance shall be installed in the same closet with a gas dryer.

BATHROOM OR BEDROOM INSTALLATION:

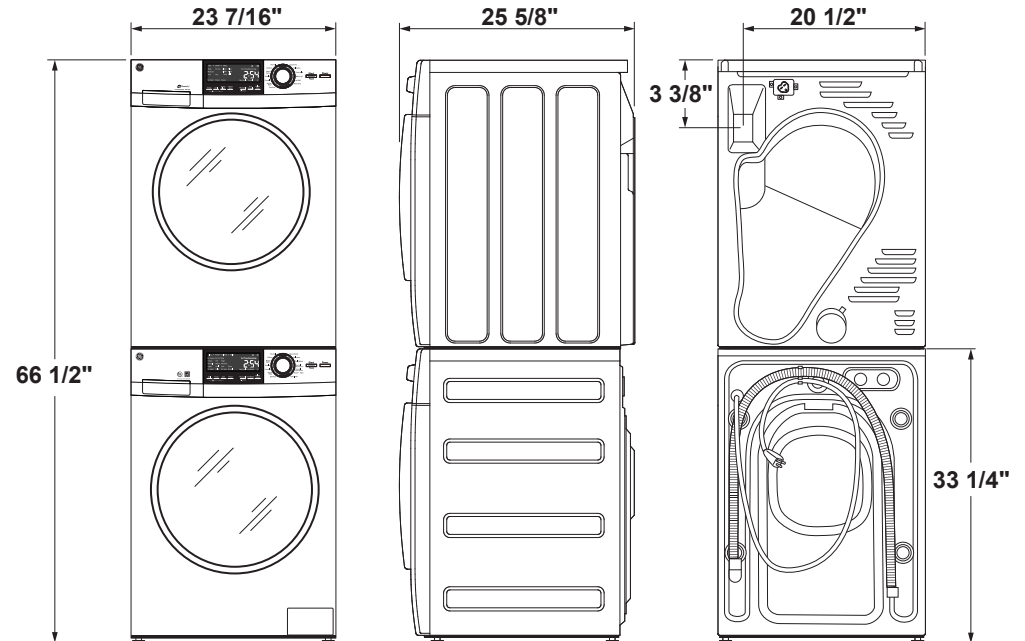
The installation must conform with the local codes, or in the absence of local codes, with the National Electric Code and National Fuel Gas Code, ANSI Z223 for gas dryers.

MINIMUM CLEARANCE OTHER THAN ALCOVE OR CLOSET INSTALLATIONS:

Minimum clearances to combustible surfaces 0" both sides, 3" rear.

FOR MORE INFORMATION ON VENTING KITS AND ACCESSORIES, PLEASE CALL 1-800-GE-CARES.

STACKED DIMENSIONS (IN INCHES)



For answers to your Monogram, GE Café™, GE Profile™ or GE Appliances product questions, visit our website at geappliances.com or call GE Answer Center® Service, 800.626.2000.



Specification Revised 10/21

GFD14ESSNWW

GE® 4.3 Cu.Ft. Capacity Electric Dryer

DRYER EXHAUSTING INFORMATION - METAL DUCT ONLY

FOR COMPLETE INFORMATION, SEE INSTALLATION INSTRUCTIONS PACKED WITH YOUR DRYER.

DUCTING MATERIALS: For best performance, this dryer should be vented with 4" diameter all rigid metal exhaust duct. If rigid metal duct cannot be used, then UL-listed flexible metal (semi-rigid) ducting can be used (Kit WX08X10077). In special installations, it may be necessary to connect the dryer to the house vent using a flexible metal (foil-type) duct. A UL-listed flexible metal (foil-type) duct may be used **ONLY** in installations where rigid metal or flexible metal (semi-rigid) ducting cannot be used **AND** where a 4" diameter can be maintained throughout the entire length of the transition duct. Please see installation instruction packed with your dryer for complete instructions when using flexible metal (foil type) ducting.

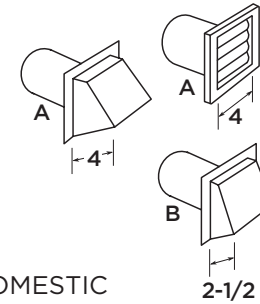
EXHAUST LENGTH CALCULATION:

- Determine the number of 90° turns needed for your installation. If you exhaust to the side or bottom of dryer, add one turn.
- The maximum length of 4' rigid (aluminum or galvanized) duct which can be tolerated is shown in the table.
 - A turn of 45° or less may be ignored. Two 45° turns within the duct length should be treated as a 90° elbow.
 - A turn over 45° should be treated as a 90° elbow.

Dryers **must** be exhausted to the outside.

CAUTION: For personal safety do not terminate exhaust into a chimney, under any enclosed house floor (crawl space), or into an attic, since the accumulated lint could create a fire hazard or moisture could cause damage. Never terminate the exhaust into a common duct or plenum with a kitchen exhaust, since the combination of lint and grease could create a fire hazard.

Exhaust ducts should be terminated in a dampered wall cap to prevent back drafts, bird nesting, etc. The wall cap must also be located at least 12" above the ground or any other obstruction with the opening pointed down.



| DOMESTIC DRYER MODELS | NUMBER OF 90° TURNS | BEST PERFORMANCE | |
|-----------------------------|---------------------|--|------------------------|
| | | MAXIMUM LENGTH OF 4" DIA. RIGID METAL DUCT | |
| | | EXHAUST HOOD TYPE | |
| | | A 4" OPENING | B 2-1/2" OPENING |
| 4.0 CU. FT. CAPACITY MODELS | 0 | 90 FT. | 60 FT. |
| ALL ELECTRIC DRYERS | 1 | 60 FT. | 45 FT. |
| | 2 | 45 FT. | 35 FT. |
| | 3 | 35 FT. | 25 FT. |

For every extra 90° elbow, reduce the allowable vent system length by 10 ft.

Two 45° elbows will be treated like one 90° elbow. For the side exhaust installations, add one 90° elbow to the chart. The total vent system length includes all the straight portions and elbows of the system (transition duct included).



FOR MORE INFORMATION ON VENTING KITS AND ACCESSORIES, PLEASE CALL 1-800-GE-CARES.

For answers to your Monogram, GE Café™, GE Profile™ or GE Appliances product questions, visit our website at geappliances.com or call GE Answer Center® Service, 800.626.2000.



GFD14ESSNWW

GE® 4.3 Cu.Ft. Capacity Electric Dryer

FEATURES AND BENEFITS

HE Sensor Dry – Keep your clothes looking and feeling their best. Dual thermistors continually monitor temperature with a sensor bar that measures moisture to prevent over-drying

13 Dry Cycles – Delivers optimal drying results with a customized cycle for every load

WiFi Capable – Monitor performance and checks cycle status using your mobile device.
*Required ConnectPlus accessory part number PVX10W00Y0 sold separately.

Outlet for Washer – Provides an outlet for the washer for easy and flexible installation

My Cycle Settings – Dry clothes with the settings you prefer on any cycle, rather than the defaults, and store your settings for later use

ENERGY STAR® qualified – Meets or exceeds federal guidelines for energy efficiency for year-round energy and money savings

Delay start – Lets you do the laundry on your terms

Extended Tumble – Tumble clothes without heat to help prevent creasing and wrinkling

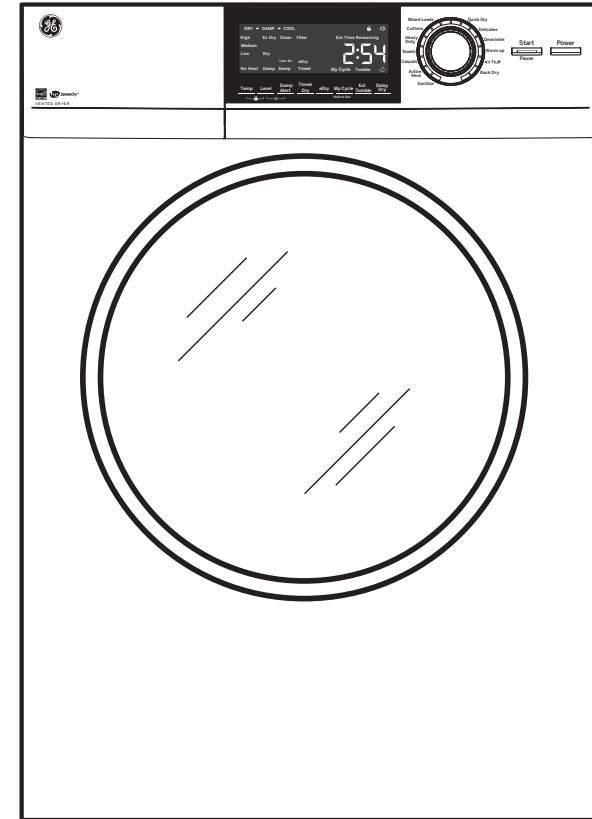
Quick Dry – Quickly dries items and small loads for families on the go

4 temperature selections – Pick the drying temperature you prefer for enhanced drying performance and fabric care

Cycle countdown display with LED indicators – Know exactly how much time is left for each cycle with bright display and lights

Stainless steel drum – Long-lasting, durable stainless steel resists rust and won't chip, peel or snag clothes

Model GFD14ESSNWW – White on white



GUD24ESSM/24GSSM

GE® Unitized Spacemaker® 2.3 DOE Cu. Ft. Stainless Steel Washer and 4.4 Cu. Ft. Dryer

DIMENSIONS AND INSTALLATION INFORMATION (IN INCHES)

ELECTRICAL REQUIREMENTS:

GUD24ESSM Electric Dryer – This appliance should be connected to an individual, properly-grounded branch circuit with 120/240V single-phase 60 Hz electrical service and should be protected by 30-amp time-delay fuses or circuit breakers. This appliance is manufactured with neutral connected to the frame. Power cord should be purchased separately.

NOTE: These appliances are not approved for 120-volt operation.

GAS REQUIREMENTS:

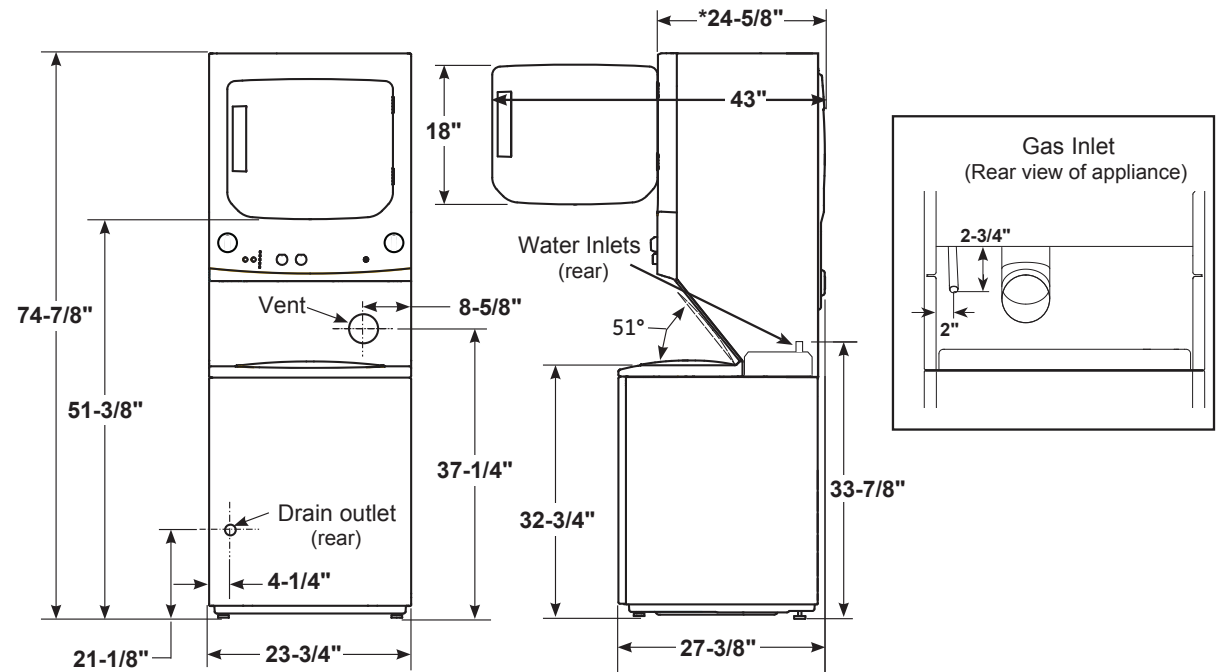
GUD24GSSM Gas Dryer – This appliance should be connected to an individual branch circuit with a three-prong grounding-type receptacle and 120-volt single-phase 60 Hz electrical service and should be protected by 15- or 20-amp time-delay fuses or circuit breakers. This appliance is equipped with a 6-foot long flexible U.L. listed 20-amp power cord to match a 15-amp receptacle.

GAS RATED input 10,500 BTU/HR. Factory equipped for natural gas. Tested for LP gas.

Dryers must be exhausted to the outside.

INSTALLATION INFORMATION: For complete information, see installation instructions packed with the product.

Installation Instructions 24" NOMINAL PRODUCT DIMENSIONS



* Dimension represents door closed including handle and knobs.

NOTE: With feet set at mid position, feet can be adjusted +/- 3/8".



For answers to your Monogram, GE Café™, GE Profile™ or GE Appliances product questions, visit our website at geappliances.com or call GE Answer Center® Service, 800.626.2000.



Specification Revised 1/21

GUD24ESSM/24GSSM

GE® Unitized Spacemaker® 2.3 DOE Cu. Ft. Stainless Steel Washer and 4.4 Cu. Ft. Dryer

DIMENSIONS AND INSTALLATION INFORMATION (IN INCHES)

For complete information, see installation instructions packed with your dryer.

DUCTING MATERIALS: This dryer MUST be vented with 4" diameter all rigid metal exhaust duct.

EXHAUST LENGTH CALCULATION:

1. Determine the number of 90° turns needed for your installation. If you exhaust to the side or bottom of dryer, add one turn.
2. The maximum length of 4" rigid (aluminum or galvanized) duct which can be tolerated is shown in the table.

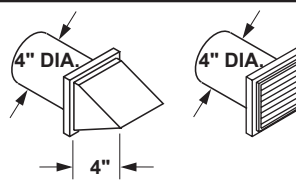
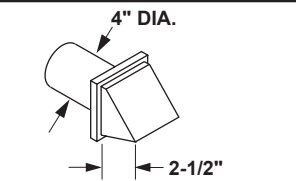
For every extra 90° elbow, reduce the allowable vent system length by 10 ft. Two 45° elbows will be treated like one 90° elbow. For the side exhaust installations, add one 90° elbow to the chart. The total vent system length includes all the straight portions and elbows of the system (transition duct included).

Dryers must be exhausted to the outside.

CAUTION: For personal safety do not terminate exhaust into a chimney, under any enclosed house floor (crawl space), or into an attic, since the accumulated lint could create a fire hazard or moisture could cause damage. Never terminate the exhaust into a common duct or plenum with a kitchen exhaust, since the combination of lint and grease could create a fire hazard.

Exhaust ducts should be terminated in a dampered wall cap to prevent back drafts, bird nesting, etc. The wall cap must also be located at least 12" above the ground or any other obstruction with the opening pointed down.

GUD24 DRYER EXHAUST LENGTH*

| RECOMMENDED MAXIMUM LENGTH | | |
|----------------------------|---|---|
| Exhaust Hood Types | | |
| | Recommended | Use only for short run installations |
| |  |  |
| No. of 90° Elbows | Rigid Metal | Rigid Metal |
| 0 | 43 Feet | 36 Feet |
| 1 | 33 Feet | 26 Feet |
| 2 | 24 Feet | 16 Feet |



For answers to your Monogram, GE Café™, GE Profile™ or GE Appliances product questions, visit our website at geappliances.com or call GE Answer Center® Service, 800.626.2000.



Specification Revised 1/21

GUD24ESSM/24GSSM

GE® Unitized Spacemaker® 2.3 DOE Cu. Ft. Stainless Steel Washer and 4.4 Cu. Ft. Dryer

DIMENSIONS AND INSTALLATION INFORMATION (IN INCHES)

Special Installation Requirements

ALCOVE OR CLOSET INSTALLATION:

- If your dryer is approved for installation in an alcove or closet, it will be stated on a label on the dryer back.
- The dryer MUST be exhausted to the outside.
- Minimum clearances between dryer cabinet and adjacent walls or other surfaces are: 0" both sides and rear, 1" front and top
- Minimum vertical space from floor to overhead cabinets, ceilings, etc. is 75-1/2".
- Closet doors must be louvered or otherwise ventilated and must contain a minimum of 60 sq. in. of open area equally distributed. If this closet contains both a washer and a dryer, doors must contain a minimum of 120 sq. in. of open area equally distributed.
- No other fuel-burning appliance shall be installed in the same close with a gas dryer.

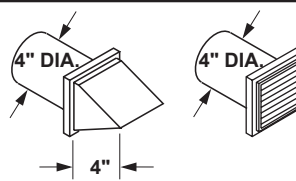
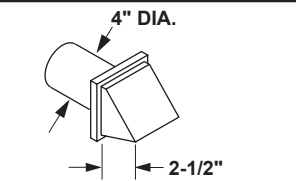
BATHROOM OR BEDROOM INSTALLATION:

- The dryer MUST be exhausted to the outdoors.
- The installation must conform with the local codes, or in the absence of local codes, with the National Electric Code and National Fuel Gas Code, ANSI Z223 for gas dryers.

MINIMUM CLEARANCES OTHER THAN ALCOVE OR CLOSET INSTALLATION:

- Minimum clearances to combustible surfaces:
0" both sides and rear
1" front and top

GUD24 DRYER EXHAUST LENGTH*

| RECOMMENDED MAXIMUM LENGTH | | |
|----------------------------|---|---|
| Exhaust Hood Types | | |
| | Recommended | Use only for short run installations |
| |  |  |
| No. of 90° Elbows | Rigid Metal | Rigid Metal |
| 0 | 43 Feet | 36 Feet |
| 1 | 33 Feet | 26 Feet |
| 2 | 24 Feet | 16 Feet |



For answers to your Monogram, GE Café™, GE Profile™ or GE Appliances product questions, visit our website at geappliances.com or call GE Answer Center® Service, 800.626.2000.



Specification Revised 1/21

GUD24ESSM/24GSSM

GE® Unitized Spacemaker® 2.3 DOE Cu. Ft. Stainless Steel Washer and 4.4 Cu. Ft. Dryer

FEATURES AND BENEFITS

Rotary-electromechanical controls (dryer) – Allow fast, easy cycle selection

11 wash cycles – Cycles are designed to specifically handle various fabrics and soils

6 wash/rinse temperatures – Select the right temperature for ideal wash results

1 wash/spin speed combinations – Speeds are matched to fabric type for great clothes care

Auto-load sensing – Washer will automatically measure the load size and add just the right amount of water

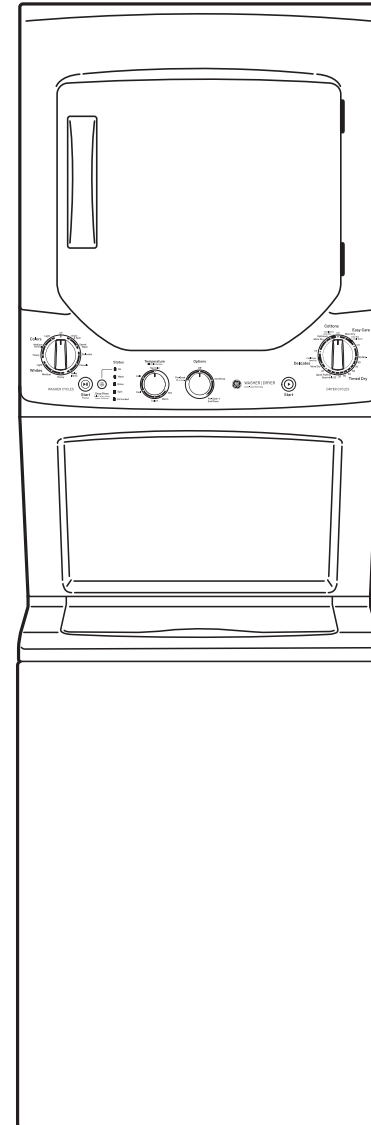
Rotary-electronic controls (washer) – Simplify cycle selection

Bleach and fabric softener dispensers – Solutions are automatically mixed with wash water for clean, bright, soft-to-the-touch results

Cycle status lights – Easily see where your load is in the cleaning process

Model GUD24ESSMWW – White on white (Electric)

Model GUD24GSSMWW – White on white (Gas)



GUD27ESSM/ESPM GUD27GSSM/GSPM

GE® Unitized Spacemaker® 3.8 DOE Cu. Ft. Stainless Steel Washer and 5.9 Cu. Ft. Dryer

DIMENSIONS AND INSTALLATION INFORMATION (IN INCHES)

ELECTRICAL REQUIREMENTS:

GUD27ESSM Electric Dryer – This appliance should be connected to an individual, properly-grounded branch circuit with 120/240V or 120/208V single-phase 60 Hz electrical service and should be protected by 30-amp time-delay fuses or circuit breakers KW Rating per voltage (240/208). This appliance is manufactured with neutral connected to the frame. Power cord should be purchased separately.

GAS REQUIREMENTS:

GUD27GSSM Gas Dryer – This appliance should be connected to an individual branch circuit with 120-volt single-phase 60 Hz electrical service and should be protected by 20-amp time-day fuses or circuit breakers. This appliance is equipped with a 4-foot long flexible U.S. listed 20-amp power cord to match a 20-amp receptacle.

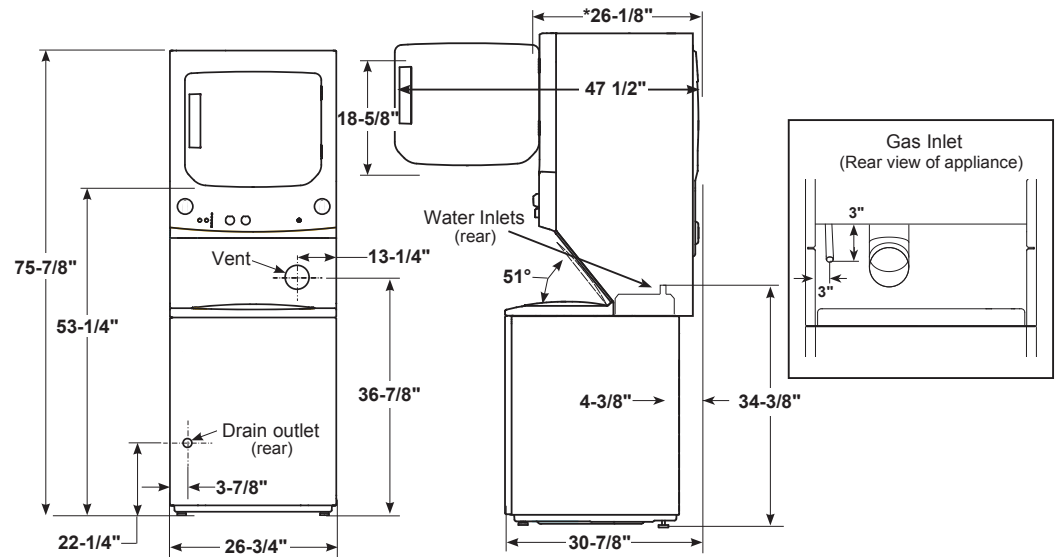
NOTE: Gas Rated input 20,000 BTU/HR. Factory equipped for natural gas. Tested for LP gas. LP gas supply requires a conversion kit. Have a qualified gas technician install a conversion kit before use.

Dryers must be exhausted to the outside.

INSTALLATION INFORMATION: For complete information, see installation instructions packed with the product.

Installation Instructions

27" NOMINAL PRODUCT DIMENSIONS



* Dimension represents door closed including handle and knobs.

NOTE: With feet set at mid position, feet can be adjusted +/- 3/8".



For answers to your Monogram, GE Cafe™, GE Profile™ or GE Appliances product questions, visit our website at geappliances.com or call GE Answer Center® Service, 800.626.2000.



Specification Revised 1/21

GUD27ESSM/ESPM GUD27GSSM/GSPM

GE® Unitized Spacemaker® 3.8 DOE Cu. Ft. Stainless Steel Washer and 5.9 Cu. Ft. Dryer

DIMENSIONS AND INSTALLATION INFORMATION (IN INCHES)

For complete information, see installation instructions packed with your dryer.

DUCTING MATERIALS:

For best performance, this dryer should be vented with 4" diameter all rigid metal exhaust duct. If rigid metal duct cannot be used, then UL-listed flexible metal (semi-rigid) ducting can be used (Kit WX08X10077). In special installations, it may be necessary to connect the dryer to the house vent using a flexible metal (foil-type) duct. A UL-listed flexible metal (foil-type) duct may be used ONLY in installations where rigid metal or flexible metal (semi-rigid) ducting cannot be used AND where a 4" diameter can be maintained throughout the entire length of the transition duct. Please see installation instruction packed with your dryer for complete instructions when using flexible metal (foil type) ducting.

EXHAUST LENGTH CALCULATION:

1. Determine the number of 90° turns needed for your installation. If you exhaust to the side or bottom of dryer, add one turn.
2. The maximum length of 4" rigid (aluminum or galvanized) duct which can be tolerated is shown in the table.

For every extra 90° elbow, reduce the allowable vent system length by 10 ft. Two 45° elbows will be treated like one 90° elbow. For the side exhaust installations, add one 90° elbow to the chart. The total vent system length includes all the straight portions and elbows of the system (transition duct included)..

Dryers must be exhausted to the outside.

CAUTION: For personal safety do not terminate exhaust into a chimney, under any enclosed house floor (crawl space), or into an attic, since the accumulated lint could create a fire hazard or moisture could cause damage. Never terminate the exhaust into a common duct or plenum with a kitchen exhaust, since the combination of lint and grease could create a fire hazard.

Exhaust ducts should be terminated in a dampered wall cap to prevent back drafts, bird nesting, etc. The wall cap must also be located at least 12" above the ground or any other obstruction with the opening pointed down.

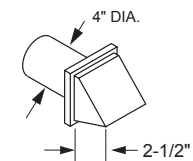
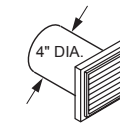
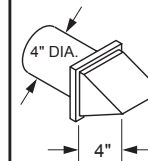
GUD27 DRYER EXHAUST LENGTH

RECOMMENDED MAXIMUM LENGTH

Exhaust Hood Types

Recommended

Use only for short run installations



| No. of 90° Elbows | Rigid Metal | Rigid Metal |
|-------------------|-------------|-------------|
| 0 | 56 Feet | 42 Feet |
| 1 | 48 Feet | 34 Feet |
| 2 | 40 Feet | 26 Feet |
| 3 | 32 Feet | 18 Feet |



For answers to your Monogram, GE Café™, GE Profile™ or GE Appliances product questions, visit our website at geappliances.com or call GE Answer Center® Service, 800.626.2000.



Specification Revised 1/21

GUD27ESSM/ESPM GUD27GSSM/GSPM

GE® Unitized Spacemaker® 3.8 DOE Cu. Ft. Stainless Steel Washer and 5.9 Cu. Ft. Dryer

DIMENSIONS AND INSTALLATION INFORMATION (IN INCHES)

Special Installation Requirements

ALCOVE OR CLOSET INSTALLATION:

- If your dryer is approved for installation in an alcove or closet, it will be stated on a label on the dryer back.
- The dryer MUST be exhausted to the outside.
- Minimum clearances between dryer cabinet and adjacent walls or other surfaces are: 0" both sides and rear, 1" front and top
- Minimum vertical space from floor to overhead cabinets, ceilings, etc. is 76-1/2".
- Closet doors must be louvered or otherwise ventilated and must contain a minimum of 60 sq. in. of open area equally distributed. If this closet contains both a washer and a dryer, doors must contain a minimum of 120 sq. in. of open area equally distributed.
- No other fuel-burning appliance shall be installed in the same close with a gas dryer.

BATHROOM OR BEDROOM INSTALLATION:

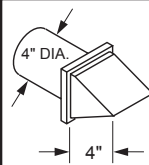
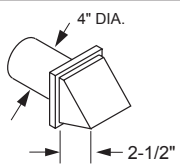
- The dryer MUST be exhausted to the outdoors.
- The installation must conform with the local codes, or in the absence of local codes, with the National Electric Code and National Fuel Gas Code, ANSI Z223 for gas dryers.

MINIMUM CLEARANCES OTHER THAN ALCOVE OR CLOSET INSTALLATION:

- Minimum clearances to combustible surfaces:
0" both sides and rear
1" front and top

GUD27 DRYER EXHAUST LENGTH

RECOMMENDED MAXIMUM LENGTH

| | Exhaust Hood Types | |
|-------------------|---|---|
| | Recommended | Use only for short run installations |
| |  |  |
| No. of 90° Elbows | Rigid Metal | Rigid Metal |
| 0 | 56 Feet | 42 Feet |
| 1 | 48 Feet | 34 Feet |
| 2 | 40 Feet | 26 Feet |
| 3 | 32 Feet | 18 Feet |



For answers to your Monogram, GE Café™, GE Profile™ or GE Appliances product questions, visit our website at geappliances.com or call GE Answer Center® Service, 800.626.2000.



Specification Revised 1/21

GUD27ESSM/ESPM GUD27GSSM/GSPM

GE® Unitized Spacemaker® 3.8 DOE Cu. Ft. Stainless Steel Washer and 5.9 Cu. Ft. Dryer

FEATURES AND BENEFITS

Rotary-electromechanical controls (dryer) – Allow fast, easy cycle selection

11 wash cycles – Cycles are designed to specifically handle various fabrics and soils

6 wash/rinse temperatures – Select the right temperature for ideal wash results

1 wash/spin speed combinations – Speeds are matched to fabric type for great clothes care

Auto-load sensing with 4 water levels – Washer will automatically measure the load size and add just the right amount of water, or choose your own

Rotary-electronic controls (washer) – Simplify cycle selection

Bleach and fabric softener dispensers – Solutions are automatically mixed with wash water for clean, bright, soft-to-the-touch results

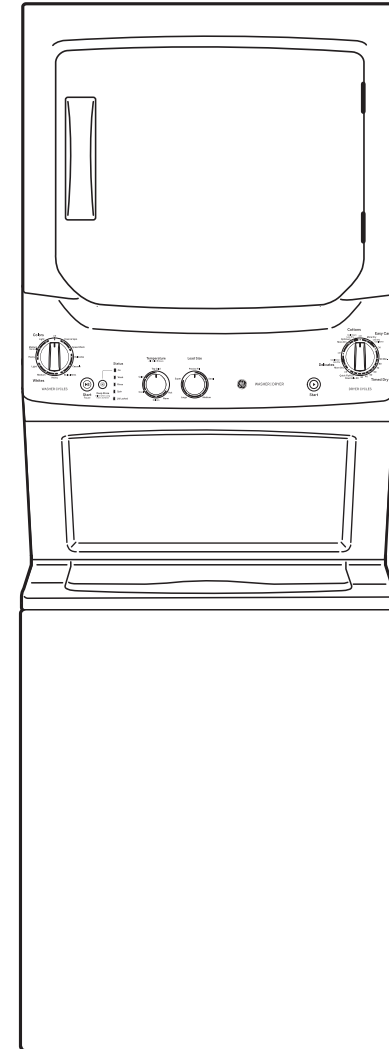
Cycle status lights – Easily see where your load is in the cleaning process

Model GUD27ESSMWW – White on white (Electric)

Model GUD27GSSMWW – White on white (Gas)

Model GUD27ESPMDG – Diamond Gray

Model GUD27GSPMDG – Diamond Gray





GE APPLIANCES
a Haier company

WARRANTY INFORMATION

DISCOVER OUR APPLIANCE BRANDS

MONOGRAM

C A F É



Profile™

Haier

Hotpoint.

LIMITED WARRANTY INFORMATION

(SEE WRITTEN WARRANTY FOR COMPLETE DETAILS)



The condensed list below is a convenient overview of the written warranties offered on various Monogram appliances described in this document for products manufactured on or after January 1, 2006. For complete warranty details on a specific Monogram model, visit Monogram.com or contact your nearest Monogram reseller, or call Monogram Factory Service, toll-free, 800-432-2737.

PRO RANGE

| FOR THE PERIOD OF | MONOGRAM WILL REPLACE |
|----------------------------|--|
| Limited two-year warranty | For two years from date of original purchase, we will provide, free of charge, parts and service labor in your home to repair or replace any part of the appliance that fails because of a manufacturing defect. |
| Limited five-year warranty | For five years from the date of original purchase, we will provide, free of charge, replacement gas surface burners if they fail in normal household use. (The grill, griddle and oven burners are not included.) You pay for the service trip to your home and all service labor charges. |
| Limited lifetime warranty | For the lifetime of the gray porcelain enamel oven racks, we will provide, free of charge, replacement racks if they fail in normal household use. You pay for the service trip to your home and all service labor charges. |

RANGETOP & COOKTOPS

| FOR THE PERIOD OF | MONOGRAM WILL REPLACE |
|----------------------------|--|
| Limited two-year warranty | For two years from date of original purchase, we will provide, free of charge, parts and service labor in your home to repair or replace any part of the appliance that fails because of a manufacturing defect. |
| Limited five-year warranty | For five years from the date of original purchase, we will provide, free of charge, replacement gas surface burners if they fail in normal household use. (The grill and griddle are not included.) You pay for the service trip to your home and all service labor charges. |

WALL OVENS

| FOR THE PERIOD OF | MONOGRAM WILL REPLACE |
|---------------------------|--|
| Limited two-year warranty | For two years from date of original purchase, we will provide, free of charge, parts and service labor in your home to repair or replace any part of the appliance that fails because of a manufacturing defect. |

ADVANTIUMS

| FOR THE PERIOD OF | MONOGRAM WILL REPLACE |
|----------------------------|---|
| Limited two-year warranty | Any part of the oven which fails due to a defect in materials or workmanship. During this limited two-year warranty, Monogram will also provide, free of charge, all labor and related service costs to replace the defective part. |
| Limited five-year warranty | The magnetron tube, if the magnetron tube fails due to a defect in materials or workmanship. During this five-year limited warranty, you will be responsible for any labor or in-home service costs. |

MICROWAVES

| FOR THE PERIOD OF | MONOGRAM WILL REPLACE |
|---|---|
| Limited two-year warranty | For two years from the date of the original purchase, Monogram will replace any part of the microwave oven which fails due to a defect in materials or workmanship. During this limited two-year warranty, Monogram will also provide, free of charge, all labor and related service to replace the defective part. |
| Limited third through fifth-year warranty | For the third through fifth years from the date of the original purchase, Monogram will replace the magnetron tube, if the magnetron tube fails due to a defect in materials or workmanship. During this third through fifth-year limited warranty, you will be responsible for any labor or in-home service costs. |

HOODS

| FOR THE PERIOD OF | MONOGRAM WILL REPLACE |
|---------------------------|---|
| Limited two-year warranty | For two years from date of original purchase, we will provide, free of charge, parts and service labor in your home to repair or replace any part of the unit that fails because of a manufacturing defect. |

WARMING DRAWER

| FOR THE PERIOD OF | MONOGRAM WILL REPLACE |
|---------------------------|--|
| Limited two-year warranty | Any part of the warming drawer which fails due to a defect in materials or workmanship. During this limited two-year warranty, Monogram will provide, free of charge, all labor and in-home service to replace the defective part. |

HEARTH OVEN

| FOR THE PERIOD OF | MONOGRAM WILL REPLACE |
|---------------------------|---|
| Limited two-year warranty | For two years from date of original purchase, we will provide, free of charge, parts and service labor in your home to repair or replace any part of the oven that fails because of a manufacturing defect. |

REFRIGERATION

| FOR THE PERIOD OF | MONOGRAM WILL REPLACE |
|---|--|
| Limited two-year warranty | For two years from date of original purchase, we will provide, free of charge, parts and service labor in your home to repair or replace any part of the refrigerator or freezer that fails because of a manufacturing defect. |
| Limited five-year warranty | For five years from date of original purchase, we will provide, free of charge, parts and service labor in your home to repair or replace any part of the sealed refrigerating system (the compressor, condenser, evaporator and all connecting tubing) that fails because of a manufacturing defect. |
| Limited additional sixth-through twelfth-year warranty on the sealed system | For the sixth through twelfth year from the date of the original purchase, we will provide, free of charge, replacement parts for any part of the sealed refrigerating system (the compressor, condenser, evaporator and all connecting tubing) that fails because of a manufacturing defect. You pay for the service trip to your home and for service labor charges. |
| Limited thirty-day warranty on water filter cartridge (Water filter, if included) | From the date of the original purchase we will provide, free of charge, replacement parts for any part of the water filter cartridge that fails because of a manufacturing defect. During this limited thirty-day warranty, we will also provide, free of charge, a replacement water filter cartridge. |

UNDERCOUNTER

| FOR THE PERIOD OF | MONOGRAM WILL REPLACE |
|---|--|
| Limited two-year warranty | For two years from date of original purchase, we will provide, free of charge, parts and service labor in your home to repair or replace any part of the unit that fails because of a manufacturing defect. |
| Limited third through fifth-year warranty | For the third through fifth years from date of original purchase, we will provide, free of charge, parts and service labor in your home to repair or replace any part of the sealed refrigerating system (the compressor, condenser, evaporator and all connecting tubing) that fails because of a manufacturing defect. |

ICEMAKERS

| FOR THE PERIOD OF | MONOGRAM WILL REPLACE |
|--------------------|--|
| One Year Warranty | Any part of the ice machine which fails due to a defect in materials or workmanship. During the limited one-year warranty, GE Appliances will also provide, free of charge, all labor and related service to replace the defective part. |
| Five Year Warranty | Any part of the sealed refrigeration system. During the limited five-year sealed refrigerating system warranty, GE Appliances will also provide, free of charge, all labor and related service to replace the defective part in the sealed refrigerating system. |

DISHWASHER

| FOR THE PERIOD OF | MONOGRAM WILL REPLACE |
|-----------------------------|--|
| Limited two-year warranty | Any part of the dishwasher which fails due to a defect in materials or workmanship. During this limited two-year warranty, Monogram will also provide, free of charge, all labor and in-home service to replace the defective part. |
| Three to Five Year Warranty | The dishwasher rack and/or the electronic control module, if these should fail due to a defect in materials or workmanship. During this three to five year limited warranty, you will be responsible for any labor or in-home service costs. |
| Limited lifetime warranty | The stainless steel tub or door liner, if it fails to contain water due to a defect in materials or workmanship. During this limited lifetime warranty, Monogram will also provide, free of charge, all labor and in-home service to replace the defective part. |

EXCLUSION OF IMPLIED WARRANTIES – Your sole and exclusive remedy is product repair as provided in this Limited Warranty. Any implied warranties, including the implied warranties of merchantability or fitness for a particular purpose, are limited to one year or the shortest period allowed by law.

This warranty is extended to the original purchaser and any succeeding owner for products purchased for home use within the USA. In Alaska, the One-Year Warranty excludes the cost of shipping, or service calls to your home. Some states do not allow the exclusion or limitation of incidental or consequential damages. This warranty gives you specific legal rights, and you may also have other rights which vary from state to state. To know what your legal rights are, consult your local or state consumer affairs office or your state's Attorney General.

Limited Warranty Information

(SEE WRITTEN WARRANTY FOR COMPLETE DETAILS)



The condensed list below is a convenient overview of the written warranties offered on various Café™ appliances described in this document for products manufactured on or after January 1, 2006. For complete warranty details on a specific Café model, visit Café.com or contact your nearest Café reseller, or call Café Factory Service, toll free, 800-432-2737.

Refrigerators, Wine and Beverage Centers, 50 lb./Refrigerator Ice Makers

ALL CAFÉ MODELS

| For the period of | Café will replace |
|---|--|
| One year From the date of the original purchase | Any part in the refrigerator which fails due to a defect in materials or workmanship. During this limited one-year warranty , Café will provide, free of charge , all labor and related service costs to replace the defective part. |
| Five years From the date of the original purchase | Any part of the sealed refrigerating system (the compressor, condenser, evaporator and all connecting tubing) which fails due to a defect in materials or workmanship. During this limited five-year sealed refrigerating system warranty , Café will also provide, free of charge , all labor and related service costs to replace the defective part. |

Ice Makers

FOR REFRIGERATORS

| For the period of | Café will replace |
|---|--|
| One year From the date of the original purchase | Any part in the ice maker which fails due to a defect in materials or workmanship. During this limited one-year warranty , Café will provide, free of charge , all labor and related service costs to replace the defective part. |

Ranges, Cooktops, Wall Ovens, Warming Drawers and Hoods

ALL CAFÉ MODELS

| For the period of | Café will replace |
|---|--|
| One year From the date of the original purchase | Any part in the cooking product which fails due to a defect in materials or workmanship. During this limited one-year warranty Café will provide, free of charge , all labor and related service costs to replace the defective part. |

Speedcook Ovens with Advantium® Technology

ALL CAFÉ MODELS

| For the period of | Café will choose to replace or service |
|---|---|
| One year From the date of the original purchase | Any part of the oven which fails due to a defect in materials or workmanship. During this limited one-year warranty , Café will provide, free of charge , all labor and related service costs to replace the defective part. |
| Five years From the date of the original purchase | The magnetron tube , if the magnetron tube fails due to a defect in the materials or workmanship. During this five-year limited warranty , you will be responsible for any labor or in-home service costs. |

Over-The-Range, Drawer, and Countertop Microwave Ovens

ALL CAFÉ MODELS

| For the period of | Café will choose to replace or service |
|---|---|
| One year From the date of the original purchase | Any part in the microwave which fails due to a defect in materials or workmanship. During this limited one-year warranty , Café will also provide, free of charge , all labor and in-home service costs to replace the defective part. |
| Five years From the date of the original purchase | The magnetron tube , if the magnetron tube fails due to a defect in the materials or workmanship. During this five-year limited warranty , you will be responsible for any labor or in-home service costs. |

Dishwashers and Compactors

ALL CAFÉ MODELS

| For the period of | Café will replace |
|---|---|
| One year From the date of the original purchase | Any part in the dishwasher which fails due to a defect in materials or workmanship. During this limited one-year warranty , Café will provide, free of charge , all labor and related service costs to replace the defective part. |

Parts and Accessories

| For the period of | Café will replace |
|---|---|
| One year From the date of the original purchase | Any part or accessory which fails due to a defect in materials or workmanship. During this limited one-year warranty , Café will provide, free of charge , all labor and related service costs to replace the defective part or accessory. |

For each product listed

What Café will not cover:

- Service trips to your home to teach you how to use the product
- Improper installation
- Replacement of house fuses or resetting of circuit breakers
- Failure of the product if it is abused, misused or used for anything other than the intended purpose or used commercially
- Damage to product caused by accident, fire, floods or acts of God
- Incidental or consequential damage caused by possible defects with this appliance

EXCLUSION OF IMPLIED WARRANTIES - Your sole and exclusive remedy is product repair as provided in this Limited Warranty. Any implied warranties, including the implied warranties of merchantability or fitness for a particular purpose, are limited to one year or the shortest period allowed by law.

This warranty is extended to the original purchaser and any succeeding owner for products purchased for home use within the USA. In Alaska, the One-Year Warranty excludes the cost of shipping, or service calls to your home. Some states do not allow the exclusion or limitation of incidental or consequential damages. This warranty gives you specific legal rights, and you may also have other rights which vary from state to state. To know what your legal rights are, consult your local or state consumer affairs office or your state's Attorney General.

LIMITED WARRANTY INFORMATION

(SEE WRITTEN WARRANTY FOR COMPLETE DETAILS.)



The condensed list below is a convenient overview of the written warranties offered on various GE Appliances & GE Profile appliances described in this document for products manufactured on or after January 1, 2006. For complete warranty details on a specific GE Appliances or GE Profile model, visit geappliances.com, contact your nearest GE Appliances/GE Profile reseller, or call GE Appliances Factory Service, 800.GE.CARES (800-432-2737).

REFRIGERATORS, FREEZERS, WINE AND BEVERAGE CENTERS

| For the period of | GE Appliances will replace |
|--|--|
| One year From the date of the original purchase | Any part in the refrigerator which fails due to a defect in materials or workmanship. During this limited one-year warranty , GE Appliances will provide, free of charge , all labor and related service costs to replace the defective part. |
| Five years From the date of the original purchase (GE Profile models ONLY) | Any part of the sealed refrigerating system (the compressor, condenser, evaporator and all connecting tubing) which fails due to a defect in materials or workmanship. During this limited five-year sealed refrigerating system warranty , GE Appliances will also provide, free of charge , all labor and related service costs to replace the defective part on GE Profile™ appliances only. |

ICEMAKERS

For Refrigerators

| For the period of | GE Appliances will replace |
|---|--|
| One year From the date of the original purchase | Any part in the icemaker which fails due to a defect in materials or workmanship. During this limited one-year warranty , GE Appliances will provide, free of charge , all labor and related service costs to replace the defective part. |

WATER FILTERS

| For the period of | GE Appliances will replace |
|--|---|
| 30 days From the date of the original purchase | Any part of the water filter cartridge which fails due to a defect in materials or workmanship during this limited thirty-day warranty .* |

RANGES, COOKTOPS, WALL OVENS, WARMING DRAWERS AND HOODS

| For the period of | GE Appliances will replace |
|---|---|
| One year From the date of the original purchase | Any part in the cooking product which fails due to a defect in materials or workmanship. During this limited one-year warranty GE Appliances will provide, free of charge , all labor and related service costs to replace the defective part. |

SPEEDCOOK FIVE-IN-ONE OVENS WITH ADVANTIUM® TECHNOLOGY

| For the period of | GE Appliances will choose to replace or service |
|---|---|
| One year From the date of the original purchase | Any part of the oven which fails due to a defect in materials or workmanship. During this limited one-year warranty , GE Appliances will provide, free of charge , all labor and related services costs to replace the defective part. |
| Five years From the date of the original purchase | The magnetron tube , if the magnetron tube fails due to a defect in the materials or workmanship. During this five-year limited warranty , you will be responsible for any labor or in-home service costs. |

OVER-THE RANGE AND COUNTERTOP MICROWAVES

| For the period of | GE Appliances will choose to replace or service |
|---|--|
| One year From the date of the original purchase | In the event of service , GE Appliances will provide any part of the microwave which fails due to a defect in materials or workmanship. During this limited one-year warranty , GE Appliances will also provide, free of charge , all labor and related service costs to replace the defective part when the unit is serviced. |

DISHWASHERS AND COMPACTORS

| For the period of | GE Appliances will replace |
|---|---|
| One year From the date of the original purchase | Any part in the dishwasher or compactor which fails due to a defect in materials or workmanship. During this limited one-year warranty , GE Appliances will provide, free of charge , all labor and related service costs to replace the defective part. |

DISPOSERS

| For the period of | GE Appliances will replace |
|--|---|
| One year From the date of the original purchase | Models GFC320 and GFC325: The entire disposer if there is a defect in materials or workmanship relating to functional parts only (appearance parts are excluded). During this limited one-year warranty , GE Appliances will also provide, free of charge , all labor charges related to replacing the original disposer along with the replacement disposer within the first year. |
| Additional one year From the date of the original purchase | Models GFC520V, GFC525V: If there is a defect in materials or workmanship relating to functional parts only (appearance parts are excluded). During this one-year extended limited warranty period , you will be responsible for all installation charges related to the replacement disposer. |
| Additional two years From the date of the original purchase | Models GFC530V, GFC535V: If there is a defect in materials or workmanship relating to functional parts only (appearance parts are excluded). During this two-year extended limited warranty period , you will be responsible for all installation charges related to the replacement disposer. |
| Additional four years From the date of the original purchase | Models GFC720V, GFB760V: If there is a defect in materials or workmanship relating to functional parts only (appearance parts are excluded). During this four-year extended limited warranty period , you will be responsible for all installation charges related to the replacement disposer. |
| Additional six years From the date of the original purchase | Model GFC1020V: If there is a defect in materials or workmanship relating to functional parts only (appearance parts are excluded). During this six-year extended limited warranty period , you will be responsible for all installation charges related to the replacement disposer. |
| Three years From the date of the original purchase | Model GREEN05P: The entire disposer if there is a defect in materials or workmanship relating to functional parts only (appearance parts are excluded). During this limited three-year warranty , GE Appliances will also provide, free of charge , all labor charges related to replacing the original disposer along with the replacement disposer within the first year. |

*If your GE Appliances part fails because of a manufacturing defect within thirty days from the date of original purchase for use, we will give you a new or, at our option, a rebuilt part without charge. Return the defective part to the parts supplier from whom it was purchased together with a copy of the "proof of purchase" for the part. If the part is defective and shows no signs of abuse, it will be exchanged. The warranty does not cover the failure of parts which are damaged while in your possession, are abused, or have been installed improperly. It does not cover the cost of returning the part to the supplier from whom it was purchased nor does it cover the cost of labor to remove or install it to diagnose the fault. It does not cover parts used in products in commercial use except in the case of air conditioning equipment. In no event shall GE Appliances be liable for consequential damages. Warrantor: GE Appliances

GE Appliances has a policy of continuous improvement of its products and reserves the right to change materials and specifications without notice.

(continued on next page)

ELECTRIC WATER HEATER

| For the period of | GE Appliances will replace |
|---|---|
| One year From the date of the original purchase | Any part in the Water Heater which fails due to a defect in materials or workmanship. During this limited one-year warranty , GE Appliances will reimburse registered service providers, or will reimburse consumers for documented out of pocket costs for parts and/or labor for professional service at a predetermined rate as found on the GE Appliances Website GEAppliances.com/water heater , unless service provided to replace defective parts is determined to be a result of improper installation or maintenance. |
| Second through Eighth, Tenth or Twelfth Year From the date of the original purchase | Any part of the Water Heater which fails due to a defect in materials or workmanship. During this limited second through the end of the warranty period , labor and related service to replace the defective part are not included. <small>*Warranty is based on the 6th and 7th digit of model number located on rating plate (e.g.: GE50T08BAM has a part warranty of 8 years).</small> |

TANKLESS ELECTRIC WATER HEATERS

| For the period of | GE Appliances will replace |
|---|--|
| Five years From the date of the original purchase | We will replace: The entire water heater if there is a defect in materials or workmanship relating to functional parts only. During this warranty period , labor and related service to install the new water heater or remove the defective water heater is not covered under this warranty . The replacement unit is warranted for the remainder of your water heater's original five-year warranty period . The replacement unit may either be a new unit or a refurbished unit. |

ATMOSPHERIC GAS WATER HEATER

| For the period of | GE Appliances will replace |
|---|---|
| One year From the date of the original purchase | We will replace: Any factory specified part of the water heater which fails due to a defect in materials or workmanship. During this limited one-year warranty , we will also provide, free of charge, all labor and related service to replace the defective part. For the period of second through eighth, tenth or twelfth year from the date of the original purchase. We will replace: Any part of the water heater which fails due to a defect in materials or workmanship. During this limited second through the end of the warranty period, labor and related service to replace the defective part are not included. <small>*Warranty is based on the 6th and 7th digit of model number located on rating plate (e.g.: GE50T08BAM has a part warranty of 8 years).</small> |

SOLAR WATER HEATER

| For the period of | GE Appliances will replace |
|--|---|
| One year From the date of the original purchase | Any part in the Water Heater which fails due to a defect in materials or workmanship. During this limited one-year warranty , GE Appliances will reimburse registered service providers, or will reimburse consumers for documented out-of-pocket costs for parts and/or labor for professional service at a predetermined rate as found on the GE Appliances Website GEAppliances.com/water heater , unless service provided to replace defective parts is determined to be a result of improper installation or maintenance. |
| Second through Fifth Year From the date of the original purchase | Any part in the Water Heater which fails due to a defect in materials or workmanship. During this limited second through year five warranty period , labor and related service to replace the defective part are not included. |
| Sixth through Tenth Year From the date of the original purchase | 50% of the cost of any part , of the water heater which fails due to defect in materials or workmanship. During this sixth through the end of the warranty period , labor and related service to replace the defective part are not included. <small>Warranty is based on the 6th and 7th digit of model number located on rating plate (e.g.: GE50T10BAM has a part warranty of 10 years).</small> |

WATER SOFTENERS

| For the period of | GE Appliances will replace |
|--|--|
| One year From the date of the original purchase | Any part of the Water Softening System which fails due to a defect in materials or workmanship. During this limited one-year warranty , GE Appliances will provide, free of charge , all labor and related service costs to replace the defective part. |
| Second through third year From the date of the original purchase | Electronic Monitor , if the Electronic Monitor fails due to a defect in materials or workmanship. During this additional two-year limited warranty , you will be responsible for any labor and related service costs. |
| Second through tenth year From the date of the original purchase | Cabinet (Brine Tank) and Resin Tank , if either of these parts fail due to a defect in materials or workmanship. During this additional nine-year limited warranty , you will be responsible for any labor and related service costs. |

WASHERS

| For the period of | GE Appliances will replace |
|--|---|
| One year From the date of the original purchase | Any part in the washer which fails due to a defect in materials or workmanship. During this limited one-year warranty , GE Appliances will provide, free of charge , all labor and related service costs to replace the defective part. |
| Ten years From the date of the original purchase | Models GFW850, GTW840/845, GTW720/725, GTW680/685, GFW650, GFW550 and GFW510: The motor , if it should fail due to a defect in materials or workmanship. During this additional nine-year limited warranty , you will be responsible for any labor and related service costs. |

TOP LOAD WASHERS

| For the period of | GE Appliances will replace |
|--|---|
| One year From the date of the original purchase | Any part of the washer which fails due to a defect in materials or workmanship. During this limited one-year warranty , we will also provide, free of charge , all labor and related service to replace the defective part. |
| Warranties for GTW525 model only: | |
| Five years From the date of the original purchase | Any part of the washer which fails due to a defect in materials or workmanship. During this limited five-year warranty , we will also provide, free of charge , all labor and related service to replace the defective part. |
| Ten years From the date of the original purchase | The motor , if it should fail due to a defect in materials or workmanship. During this additional nine-year limited warranty , you will be responsible for any labor and related service costs. |
| Lifetime of Product From the date of the original purchase | The stainless steel basket , if it should fail due to rust or corrosion of the stainless steel. During this additional LIFETIME limited warranty you will be responsible for any labor and related service costs. |

DRYERS

| For the period of | GE Appliances will replace |
|---|---|
| One year From the date of the original purchase | Any part in the dryer which fails due to a defect in materials or workmanship. During this limited one-year warranty , GE Appliances will provide, free of charge , all labor and related service costs to replace the defective part. |

REVERSE OSMOSIS FILTRATION SYSTEMS

| For the period of | GE Appliances will replace |
|---|---|
| One year From the date of the original purchase | Any part of the Reverse Osmosis Filtration System (excluding filters) which fails due to a defect in materials or workmanship. During this limited one-year warranty , GE Appliances will provide, free of charge , all labor and related service costs to replace the defective part. |

LIMITED WARRANTY INFORMATION (continued)
(SEE WRITTEN WARRANTY FOR COMPLETE DETAILS.)



DUAL-STAGE AND SINGLE-STAGE WATER FILTRATION AND WHOLE HOUSE FILTRATION

| For the period of | GE Appliances will replace |
|---|---|
| One year From the date of the original purchase | Any part of the Water Filtration System (excluding filters) which fails due to a defect in materials or workmanship. During this limited one-year warranty , GE Appliances will provide, free of charge , all labor and related service costs to replace the defective part. |

DUAL-STAGE AND SINGLE-STAGE WATER FILTRATION AND WHOLE HOUSE FILTRATION

All GE models starting with GX

| For the period of | GE Appliances will replace |
|---|---|
| One year From the date of the original purchase | Any part of the Water Filtration System (excluding filters) which fails due to a defect in materials or workmanship. During this limited one-year warranty , you will be responsible for any labor and related service costs. |

DUAL-STAGE AND SINGLE-STAGE WATER FILTRATION AND WHOLE HOUSE FILTRATION

GE models: UNFCTFBL, UCRING, UCWRENCH, HHRING & HHWRNCH

| For the period of | GE Appliances will replace |
|--|---|
| 30 days From the date of the original purchase | Any part of the water filtration accessory that fails due to a defect in materials or workmanship. During this limited 30-day warranty , you will be responsible for any labor and related service costs. |

AIR CONDITIONERS

Window

| For the period of | GE Appliances will replace |
|---|--|
| One year From the date of the original purchase | Replacement, repair, or refund of the original retail price for any product which fails due to a defect in materials or workmanship. If the unit is exchanged, the replacement unit is warranted for the remainder of your product's original one-year warranty period. GE Appliances will, at its sole discretion, replace the product with a product of the same or comparable functionality and quality or refund the original retail price. |

DEHUMIDIFIERS

| For the period of | GE Appliances will replace |
|---|--|
| One year From the date of the original purchase | Replacement, repair, or refund of the original retail price for any product which fails due to a defect in materials or workmanship . If the unit is exchanged, the replacement unit is warranted for the remainder of your product's original one-year warranty period. GE Appliances will, at its sole discretion, replace the product with a product of the same or comparable functionality and quality or refund the original retail price. |

AIR CONDITIONERS

24" Through-the-Wall

| For the period of | GE Appliances will replace |
|--|---|
| Two years From the date of the original purchase | Any part of the air conditioner which fails due to a defect in materials or workmanship. During this limited one-year warranty , GE Appliances will provide, free of charge , all labor and related service costs to replace the defective part. |

AIR CONDITIONERS

Zoneline® and Vertical Zoneline

| For the period of | GE Appliances will replace |
|---|--|
| One year From the date of the original purchase | Any part of the air conditioner which fails due to a defect in materials or workmanship. During this limited one-year warranty , GE Appliances will provide, free of charge , all labor and related service costs to replace the defective part. |
| Five years From the date of the original purchase | Sealed Refrigerating System , if any part of the Makeup Air Module or Sealed Refrigerating System (the compressor, condenser, evaporator, and all connecting tubing) should fail due to a defect in materials or workmanship. During this limited five-year warranty , GE Appliances will provide, free of charge , all labor and related service costs to replace the defective part. |
| Second through fifth year (Zoneline only) From the date of the original purchase | Fan Motors, Switches, Thermostat, Heater, Heater Protectors, Compressor Overload, Solenoids, Circuit Boards, Auxiliary Controls, Thermistors, Frost Controls, Freeze Sentinel, ICR Pump, Capacitors, Varistors and Indoor Blower Bearing , if any of these parts should fail due to a defect in materials or workmanship. During this additional four-year limited warranty , you will be responsible for any labor and related service costs. |
| Second through fifth year (vertical Zoneline only) From the date of the original purchase | Fan Motors, Switches, Thermostat, Heater, Heater Protectors, Compressor Overload, Solenoids, Circuit Boards, Auxiliary Controls, Thermistors, Frost Controls, Freeze Sentinel , if any of these parts should fail due to a defect in materials or workmanship. During this additional four-year limited warranty , the customer will be responsible for any labor and related service costs. |

AIR CONDITIONERS

26" Built-In

| For the period of | GE Appliances will replace |
|---|---|
| Two years From the date of the original purchase | Any part in the air conditioner which fails due to a defect in materials or workmanship. During this limited two-year warranty , GE Appliances will provide, free of charge , all labor and related service costs to replace the defective part. |
| Five years From the date of the original purchase | Any part of the Sealed Refrigerating System (compressor, condenser, evaporator, reversing valve and all connecting tubing) which fails due to a defect in materials or workmanship. During this three-year additional warranty , GE Appliances will provide, free of charge , all labor and related service costs to replace the defective part. |

PORTABLE AIR CONDITIONER UNITS

| For the period of | GE Appliances will replace |
|---|---|
| One year From the date of the original purchase | Replacement, repair or refund of the original retail price for any product which fails due to a defect in materials or workmanship . If the unit is exchanged, the replacement unit is warranted for the remainder of your product's original one-year warranty period. GE will, at its sole discretion, replace the product with a product of the same or comparable functionality and quality or refund the original retail price . |



PARTS AND ACCESSORIES

| For the period of | GE Appliances will replace |
|---|--|
| One year From the date of the original purchase | If your GE Appliances part fails because of a manufacturing defect within one year from the date of original purchase , we will provide a new or, at our option, rebuilt part without charge. Return the defective part to the vendor from whom it was purchased with a copy of the "proof of purchase." If the part is defective it will be exchanged. This warranty does not cover parts which are improperly installed, damaged, abused or used for other than the intended purpose. It does not include cost of returning the part to the vendor from which it was purchased, labor to remove, install or diagnose the failure, parts used in commercial applications, incidental or consequential damage caused by possible defects with the parts. Excludes water filters which offer 30-day warranty. |

FOR EACH PRODUCT LISTED

| What GE Appliances will not cover: |
|---|
| <ul style="list-style-type: none"> ■ Service trips to your home to teach you how to use the product. ■ Improper installation. ■ Replacement of house fuses or resetting of circuit breakers. ■ Failure of the product if it is abused, misused or used for anything other than the intended purpose or used commercially. ■ Damage to product caused by accident, fire, floods or acts of God. ■ Incidental or consequential damage caused by possible defects with this appliance. |

EXCLUSION OF IMPLIED WARRANTIES - Your sole and exclusive remedy is product repair as provided in this Limited Warranty. Any implied warranties, including the implied warranties of merchantability or fitness for a particular purpose, are limited to one year or the shortest period allowed by law.

This warranty is extended to the original purchaser and any succeeding owner for products purchased for home use within the USA. In Alaska, the One-Year Warranty excludes the cost of shipping, or service calls to your home. Some states do not allow the exclusion or limitation of incidental or consequential damages. This warranty gives you specific legal rights, and you may also have other rights which vary from state to state. To know what your legal rights are, consult your local or state consumer affairs office or your state's Attorney General.

LIMITED WARRANTY INFORMATION

(SEE WRITTEN WARRANTY FOR COMPLETE DETAILS.)



The condensed list below is a convenient overview of the written warranties offered on various Haier appliances described in this document for products manufactured on or after January 1, 2006. For complete warranty details on a specific Haier model, visit Haierappliances.com, contact your nearest Haier supplier, or call Haier Customer Care, toll-free, 1-877-337-3639.

REFRIGERATION

REFRIGERATORS

ALL HAIER MODELS

| For the period of | Haier will replace |
|--|---|
| One year from the date of the original purchase | Any part in the refrigerator which fails due to a defect in materials or workmanship. During the limited one-year warranty , Haier will provide, free of charge , all labor and related service costs to replace the defective part. |

COOKING

RANGES, COOKTOPS, WALL OVENS, AND HOODS

ALL HAIER MODELS

| For the period of | Haier will replace |
|--|--|
| One year from the date of the original purchase | Any part in the cooking product which fails due to a defect in materials or workmanship. During the limited one-year warranty , Haier will provide, free of charge , all labor and related service costs to replace the defective part. |

OVER-THE-RANGE MICROWAVE OVEN

ALL HAIER MODELS

| For the period of | Haier will choose to repair or replace |
|--|---|
| One year from the date of the original purchase | Any part of the microwave oven which fails due to a defect in materials or workmanship. During this limited one-year warranty , Haier will also provide, free of charge , all labor and related service costs to replace the defective part. |

DISHWASHERS

DISHWASHER

ALL HAIER MODELS

| For the period of | Haier will replace |
|--|---|
| One year from the date of the original purchase | Any part in the dishwasher which fails due to a defect in materials or workmanship. During the one-year warranty , Haier will provide, free of charge , all labor and related service costs to replace the defective part. |

CLOTHES CARE

COMPACT DRYER

ALL HAIER MODELS

| For the period of | Haier will replace |
|--|--|
| One year from the date of the original purchase | Any part in the dryer which fails due to a defect in materials or workmanship. During the one-year warranty , Haier will provide, free of charge , all labor and related service costs to replace the defective part. |

WASHER/DRYER COMBINATION

ALL HAIER MODELS

| For the period of | Haier will replace |
|--|--|
| One year from the date of the original purchase | Any part in the washer/dryer which fails due to a defect in materials or workmanship. During the one-year warranty , Haier will provide, free of charge , all labor and related service costs to replace the defective part. |
| Five years from the date of the original purchase | Any part of the cabinet assembly which fails due to a defect in materials or workmanship. During the five-year warranty , Haier will provide, free of charge , the cabinet assembly should the cabinet rust through. You will be responsible for any labor and related service costs. |
| Ten years from the date of the original purchase | The inner stainless steel drum if it should fail due to a defect in materials or workmanship. During the ten-year limited warranty , Haier will provide, free of charge , the inner stainless steel wash tub. You will be responsible for any labor and related service costs. |

COMFORT PRODUCTS

AIR CONDITIONERS

WINDOW

| For the period of | Haier will replace |
|--|---|
| One year from the date of the original purchase | Replacement, repair, or refund of the original retail price for any product which fails due to a defect in materials or workmanship. If the unit is exchanged, the replacement unit is warranted for the remainder of your product's original one-year warranty period. GE Appliances will, at its sole discretion, replace the product with a product of the same or comparable functionality and quality or refund the original retail price. |

THROUGH-THE-WALL

| For the period of | Haier will replace |
|--|---|
| One year from the date of the original purchase | Replacement, repair, or refund of the original retail price for any product which fails due to a defect in materials or workmanship. If the unit is exchanged, the replacement unit is warranted for the remainder of your product's original one-year warranty period. GE Appliances will, at its sole discretion, replace the product with a product of the same or comparable functionality and quality or refund the original retail price. |

PORTABLE

| For the period of | Haier will replace |
|--|---|
| One year from the date of the original purchase | Replacement, repair, or refund of the original retail price for any product which fails due to a defect in materials or workmanship. If the unit is exchanged, the replacement unit is warranted for the remainder of your product's original one-year warranty period. GE Appliances will, at its sole discretion, replace the product with a product of the same or comparable functionality and quality or refund the original retail price. |

DEHUMIDIFIERS

| For the period of | Haier will replace |
|--|---|
| One year from the date of the original purchase | Replacement, repair, or refund of the original retail price for any product which fails due to a defect in materials or workmanship. If the unit is exchanged, the replacement unit is warranted for the remainder of your product's original one-year warranty period. GE Appliances will, at its sole discretion, replace the product with a product of the same or comparable functionality and quality or refund the original retail price. |

LIMITED WARRANTY INFORMATION

(SEE WRITTEN WARRANTY FOR COMPLETE DETAILS.)



The condensed list below is a convenient overview of the written warranties offered on various Hotpoint® appliances described in this document for products manufactured on or after January 1, 2006. For complete warranty details on a specific appliance model, visit hotpoint.com, contact your nearest Hotpoint appliance reseller. Hotpoint is backed by GE Appliances Service and serviced by GE Appliance technicians. You can call GE Appliance Service at 1-800-GECares (1-800-432-2737)

REFRIGERATORS

| FOR THE PERIOD OF | HOTPOINT WILL REPLACE |
|--|--|
| One year From the date of the original purchase | Any part in the refrigerator which fails due to a defect in materials or workmanship. During this limited one-year warranty, Hotpoint will provide, free of charge, all labor and related service costs to replace the defective part. |

RANGES

| FOR THE PERIOD OF | HOTPOINT WILL REPLACE |
|--|---|
| One year From the date of the original purchase | Any part in the cooking product which fails due to a defect in materials or workmanship. During this limited one-year warranty, Hotpoint will provide, free of charge, all labor and related service costs to replace the defective part. |

MICROWAVE OVENS

| FOR THE PERIOD OF | HOTPOINT WILL REPLACE |
|--|---|
| One year From the date of the original purchase | Any part in the microwave which fails due to a defect in materials or workmanship. During this limited one-year warranty, Hotpoint will provide, free of charge, all labor and related service costs to replace the defective part. |

DISHWASHERS

| FOR THE PERIOD OF | HOTPOINT WILL REPLACE |
|--|--|
| One year From the date of the original purchase | Any part in the dishwasher which fails due to a defect in materials or workmanship. During this limited one-year warranty, Hotpoint will provide, free of charge, all labor and related service costs to replace the defective part. |

WASHERS

| FOR THE PERIOD OF | HOTPOINT WILL REPLACE |
|--|--|
| One year From the date of the original purchase | Any part in the washer which fails due to a defect in materials or workmanship. During this limited one-year warranty, Hotpoint will provide, free of charge, all labor and related service costs to replace the defective part. |

DRYERS

| FOR THE PERIOD OF | HOTPOINT WILL REPLACE |
|--|---|
| One year From the date of the original purchase | Any part in the dryer which fails due to a defect in materials or workmanship. During this limited one-year warranty, Hotpoint will provide, free of charge, all labor and related service costs to replace the defective part. |

COMFORT PRODUCTS

| FOR THE PERIOD OF | HOTPOINT WILL REPLACE |
|--|--|
| One year From the date of the original purchase | Any part of the air conditioner which fails due to a defect in materials or workmanship. During this limited one-year warranty, Hotpoint will provide, free of charge, all labor and related service costs to replace the defective part. |
| Five years From the date of the original purchase | Any part of the sealed refrigerating system (the compressor, condenser, evaporator and all connecting tubing) which fails due to a defect in materials or workmanship. During this limited five-year warranty, Hotpoint will provide, free of charge, all labor and related service costs to replace the defective part. |

PARTS AND ACCESSORIES

| FOR THE PERIOD OF | HOTPOINT WILL REPLACE |
|--|---|
| One year From the date of the original purchase | If your GEA part fails because of a manufacturing defect within one year from the date of original purchase, we will provide a new or, at our option, rebuilt part without charge. Return the defective part to the vendor from whom it was purchased with a copy of the "proof of purchase." If the part is defective it will be exchanged. This warranty does not cover parts which are improperly installed, damaged, abused or used for other than the intended purpose. It does not include cost of returning the part to the vendor from which it was purchased, labor to remove, install or diagnose the failure, parts used in commercial applications, incidental or consequential damage caused by possible defects with the parts. |

EXCLUSION OF IMPLIED WARRANTIES — Your sole and exclusive remedy is product repair as provided in this Limited Warranty. Any implied warranties, including the implied warranties of merchantability or fitness for a particular purpose, are limited to one year or the shortest period allowed by law.

GE is a trademark of the General Electric Company.
Manufactured under trademark license.

GE Appliances has a policy of continuous improvement
of its products and reserves the right to change
materials and specifications without notice.