



National Church Residences

Master Provisions

CMRO/ Reno Provisions
NCR@Ferguson.com

TABLE OF CONTENTS

PLUMBING	3
BATH ACCESSORIES	52
ELECTRICAL	76
INTERIOR LIGHTING	109
BLINDS	138
APPLIANCES	140
DOOR HARDWARE	160
ADA	168

PLUMBING



PROFLO PFXC3107ZBN
 CCY LF 1.5 1HDL KITC FCT L/SPRY BN
 *ADA Compliant



PROFLO PFXC4117ZBN
 CCY LF 1.5 1HDL KITC FCT W/SPRY BN
 *ADA Compliant



PROFLO PFSR332264
 33X22X6 4H 22 GA 2B SS SNK *BEALETN
 *Center Set Drain - Review Sink Hole per
 Faucet Style Specified



PROFLO PFSR252264A
 *TRN 25X22X6 4H 22 GA 1B SS SNK *BE
 *Center Set Drain - Review Sink Hole per
 Faucet Style Specified



DAYTON DGE233214
 33X22 4H 2B SS TM KITC SINK *DAYTON
 *ADA Compliant w/Rear-Center Drain



IPSCORPORA I82234
 WHIT 36 BASIN GUARD UNDER SINK ENC

PLUMBING



PROFLO PFXC7017ZBN
CCY LF 1.5 1HDL KITC FCT W/ PD BN
*Community Room Only



ELKAY EECTSRAD33226TBG1
33X22 2B DM KITC SINK *CRSTWN POSA
*Community Room Only



WESTCRAFT WC12HPWC
1/2HP APARTMENT GARBAGE DISP



PROFLO PF1431SS
STD SS BSKT STRN



CSBINTERNA CGBWH
REP GARBAGE DISP STPR 5/PK



IPSCORPORA I86162
CNTR DRN MTL WMOB W/ VLV

PLUMBING



PROFLO PFWSC3017ZBN
CCY LF 1.2 1HDL LEV LAV FCT W/PU BN



PROFLO PFX146324
LF 3/8 C X 1/2 FIP 20 SS SINK CONN



PROFLO PF20174WH
20X17 4CC VC DI LAV *ROCKAWAY WHIT
*Drop-In Spec



PROFLO PF1812UWH
18X12 0H VC UC LAV *NORRIS WHIT
*Under-Mount Spec



PROFLO PF5514WH
20X18 3H ADA WM 4 CC LAV WHIT
*ADA Compliant - Wall Mount Spec



IPSCORPORA I82205
LAV SHIELD

PLUMBING



PROFLO PFCT103HEWH
 CCY 1.28 COMP ADA HET W/SEAT WR WH
 *ADA Compliant



AMSTANDARD A4519A104020
 @ CCY 1.28 CLST TANK *EDGEME WHIT
 *ADA Compliant - Where Space Restraints
 Require Round Front



AMSTANDARD A3519B101020
 @ RF CLST BOWL *EDGEME WHIT
 *ADA Compliant - Where Space Restraints
 Require Round Front



PROFLO PFX146472
 LF 3/8 C X 7/8 12 SS CLST CONN



PROFLO PF7611GZBN
 CCY 1HDL LEV 1.75 T&S TRIM BN



PROFLO PFSH303GZBN
 CCY 1.5 GPM SHWRHD BN
 *To be specified project if needed

PLUMBING



PROFLO PF4001
CRMC T&S VLV MIP & SWT W/ STOPS
*Specific to Replacement Proflo Trim Kit



MOEN M52224GBM15CBN
1.56 GPM 24 SLDBR G/BAR SHWR
*ADA Compliant w/Grab Bar



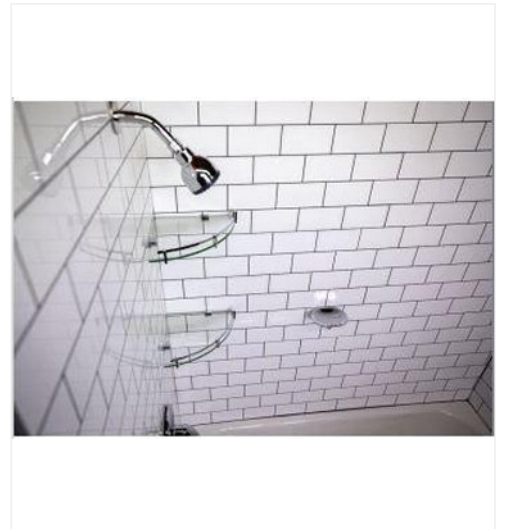
MOEN M114348BN
@ HH SHR BRKT BN



PROFLO PF7600SZBN
1HDL LEV VLV ONLY TRIM BN



PROFLO PFB14CLWH
60X30 LH STL BATH TUB *FOLSOM WHIT
*Renovation Only - To Designate Left or Right



ALERISLIMI AATSP36607001SS089
TUB KIT 4X16 SUB GLWH 36X60X70 9PC
*Renovation Only - Tub Wall Kit Replacement

PLUMBING



PROFLO PFSBS6030RWH
60X30 RH STL SHWR FLR *BANNACK WH
*Designate Left or Right



CLARIONBATHWARE CMP6036NSWH
60" SHW W/ 7" THRESHOLD BASIC
*Base Model - No ADA or ANSI Accessories
Included
**Reinforced Backing is Included



SWANCORP SVP6030CTL010
60X30X15 TUB ONLY LEFT



SWANCORP SVP6062CBW010
60X62 BCK WALL
*No Reinforced Backing



SWANCORP SVP2462CSW010
24X62 SIDE WALL SET
*No Reinforced Backing



AQUATICIND A2603SMTMLWH
60X32 LH T&S WHIT
*Base Model - To Include Reinforced Backing
on Back & Side Walls

PFSR3322 Series

Stainless Steel Sinks



Product Features

- Stainless steel double bowl sink
- Self-rimming
- Sink clips included for counter tops up to 3/4" thick
- Available with 3 or 4 faucet holes
- 20 or 22 gauge
- Overall Size 33" x 22"
- Bowl Size 14" x 15-3/4"
- Bowl depth 6-1/8", 7-1/8" or 8-1/8"
- Drain diameter 3 1/2"
- Minimum cabinet size 36"
- Under spray coating and pads for sound deadening and insulation
- 6" bowls are ADA compliant when installed to ADA guidelines



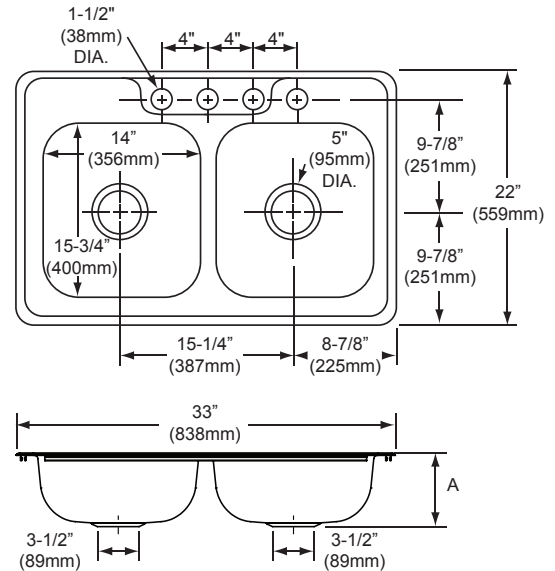
PFSR332264

Model Numbers

- PFSR332263** 33X22 3H 6.0 22 GA 2B SS SINK ADA compliant
- PFSR332264** 33X22 4H 6.0 22 GA 2B SS SINK ADA compliant
- PFSR332273** 33X22 3H 7.0 20 GA 2B SS SINK
- PFSR332274** 33X22 4H 7.0 20 GA 2B SS SINK
- PFSR332283** 33X22 3H 8.0 20 GA 2B SS SINK
- PFSR332284** 33X22 4H 8.0 20 GA 2B SS SINK

MODEL	DEPTH "A"	
	IN	MM
PFSR33226	6-1/8"	154 mm
PFSR33227	7-1/8"	179 mm
PFSR33228	8-1/8"	205 mm

Product Specifications



* All measurements are nominal. Please verify before actual installation.

Available Parts

- PFCLIP** Box of 10 clips for self rimming sinks for counter tops up to 1-1/2" thick.
- PFG1112** Sink basin grid

Warranty and Codes

This PROFLO stainless steel sink carries a 2- year limited warranty. In an effort to continually improve our products, we will make design changes from time to time. We reserve the right to ship newly designed product to fill any order unless it is agreed in writing to do otherwise. Sink complies with ASME A112.19.3-2008 CSA B45.4-08.



PFSR25226 Series

Bealeton Stainless Steel Sinks



Product Features

- 22 gauge stainless steel
- Self-rimming
- Available with 3 or 4 faucet holes
- Sink clips included
- Overall size: 25"x22-1/16"
- Bowl size: 21 3/8"x15 11/16"
- Bowl depth: 6"
- Drain deameter: 3-1/2"
- Under spray coating and pads for sound deadening and insulation



PFSR252263A

Model Numbers

PFSR252263A 25" x 22-1/16" 3H 6.0 22GA 1B SS SINK
PFSR252264A 25" x 22-1/16" 4H 6.0 22GA 1B SS SINK

Warranty and Codes

This PROFLO stainless steel sink carries a 2- year limited warranty. In an effort to continually improve our products, we will make design changes from time to time. We reserve the right to ship newly designed product to fill any order unless it is agreed in writing to do otherwise.

Sink complies with ASME A112.19.3-2008 / CSA B45.4-08.

Distributed Exclusively by Ferguson and Wolseley Canada
© 2019 Ferguson Enterprises, LLC. All Right Resered



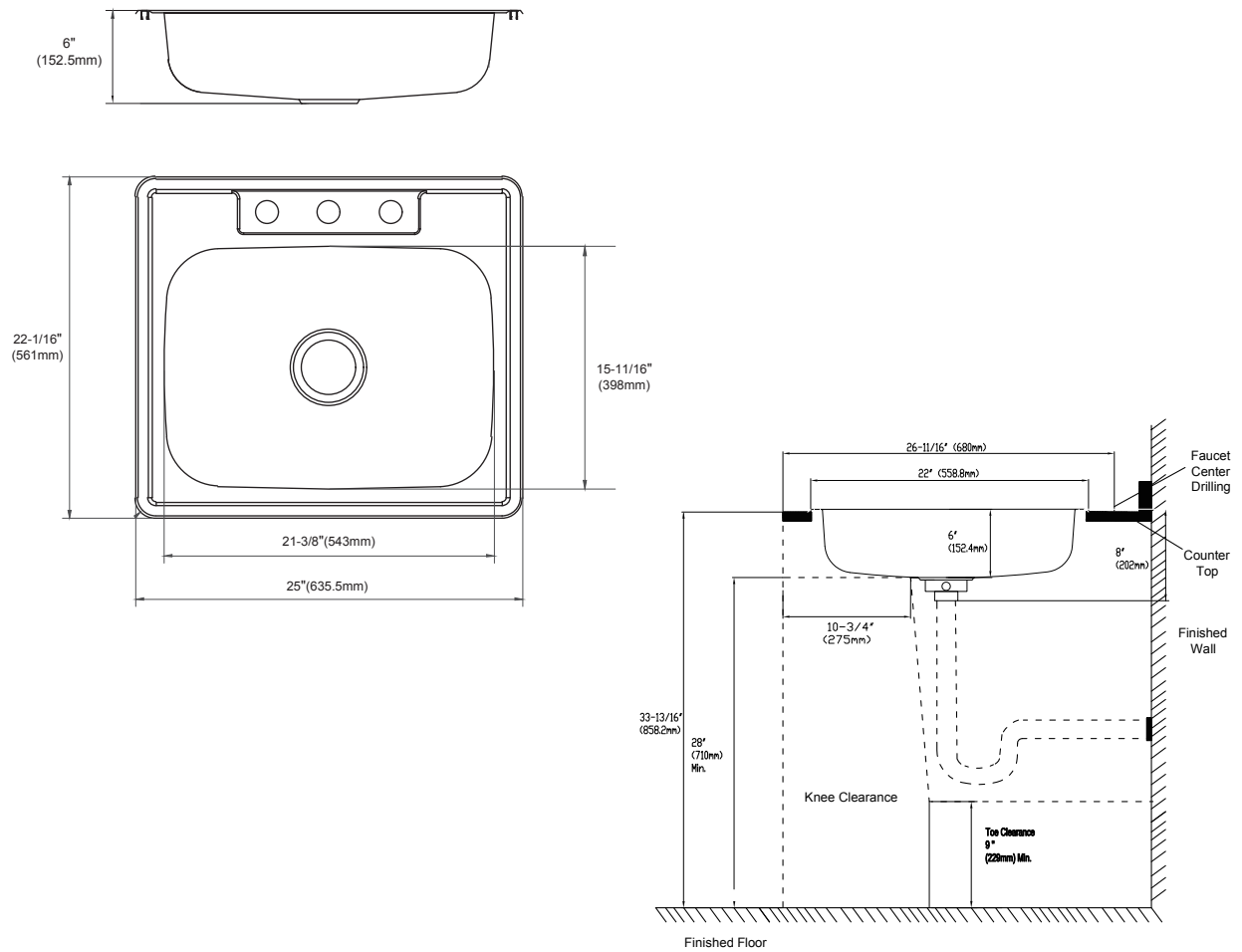
FG 07/2019

PFSR25226 Series

Bealeton Stainless Steel Sinks



Product Specifications



* All measurements are nominal. Please verify before actual installation.

Distributed Exclusively by Ferguson and Wolseley Canada
 © 2019 Ferguson Enterprises, LLC. All Right Resered



FG 07/2019

DAYTON® SPECIFICATIONS

Dayton® Stainless Steel Double Bowl Top Mount Sink Mount Sink Model(s) GE23321

PRODUCT SPECIFICATIONS

Dayton® Stainless Steel Double Bowl Top Mount Sink. Overall dimensions are 33" x 21-1/4" x 5-3/8". Sink is manufactured from 22 gauge 300 series Stainless Steel with a Satin finish, Rear Center drain placement and Bottom only spray.

Installation Type:	Top Mount
Material:	300 series Stainless Steel
Finish:	Satin
Gauge:	22
Sound Deadening:	Bottom only spray
Number of Bowls:	2
Sink Dimensions:	33" x 21-1/4" x 5-3/8"
Bowl 1 Dimensions:	14" x 15-3/4" x 5-1/4"
Bowl 2 Dimensions:	14" x 15-3/4" x 5-1/4"
Drain Size:	3-1/2" (89mm)
Drain Location:	Rear Center
Minimum Cabinet Size:	36"
Mounting Hardware:	Part # 64090012 included for countertops up to 3/4" (19mm) thick
Cutout Template #:	1000001288

Template is available for download at [elkay.com](#)

Cutout Dimensions for Top Mount Installation:

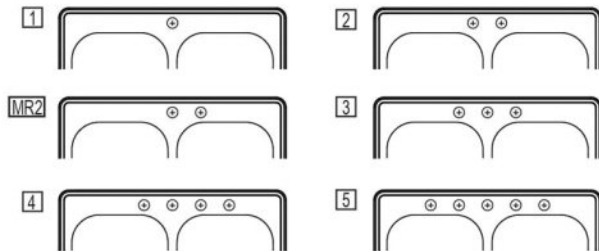
32-3/8" x 20-5/8" (822mm x 524mm) with 1-1/2" (38mm) corner radius



This sink is compliant to ADA and ANSI/ICC A117.1 accessibility requirements when installed according to the requirements outlined in these standards.

Hole Drilling Configurations:

1-1/2" (38mm) Diameter Faucet Holes on 4" (102mm) Centers



AMERICAN PRIDE. A LIFETIME TRADITION.

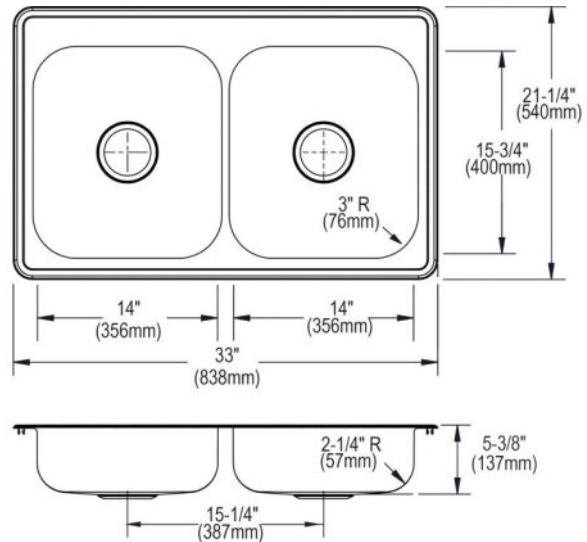
Like your family, the Elkay family has values and traditions that endure. For almost a century, Elkay has been a family-owned and operated company, providing thousands of jobs that support our families and communities.



Sinks are listed by IAPMO® as meeting the applicable requirements of the Uniform Plumbing Code®, International Plumbing Code®, and National Plumbing Code of Canada.

Product Compliance: ADA
BUY AMERICAN ACT
ASME A112.19.3/CSA B45.4

[Clean and Care Manual \(PDF\)](#)
[Installation Instructions \(PDF\)](#)
[Limited Lifetime Warranty \(PDF\)](#)



PART: _____ QTY: _____
PROJECT: _____
CONTACT: _____
DATE: _____
NOTES: _____
APPROVAL: _____

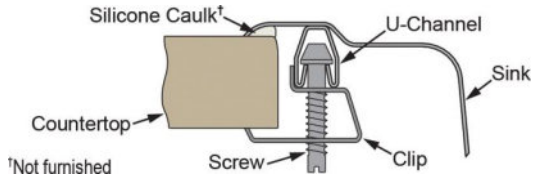
In keeping with our policy of continuing product improvement, Elkay reserves the right to change product specifications without notice. Please visit [elkay.com](#) for the most current version of Elkay product specification sheets. This specification describes an Elkay product with design, quality, and functional benefits to the user. When making a comparison of other producers' offerings, be certain these features are not overlooked.

PLUMBING

DAYTON® SPECIFICATIONS

Dayton® Stainless Steel Double Bowl Top
Mount Sink
Model(s) GE23321

Installation Profile:



OPTIONAL ACCESSORIES

Cutting Board:	CB1516
Drain:	LK35L
Hardware:	LK364, LK463
Rinsing Basket:	LKWRB1316SS, LKWERBSS
Sinkmate:	LKSM17, LKSMHOOK, LKSMSPONGE, LKSMHSL

In keeping with our policy of continuing product improvement, Elkay reserves the right to change product specifications without notice. Please visit elkay.com for the most current version of Elkay product specification sheets. This specification describes an Elkay product with design, quality, and functional benefits to the user. When making a comparison of other producers' offerings, be certain these features are not overlooked.

PLUMBING



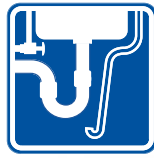
**Clean design
and durable
protection for
ADA-compliant
sinks and
lavatories
installed into
countertops**



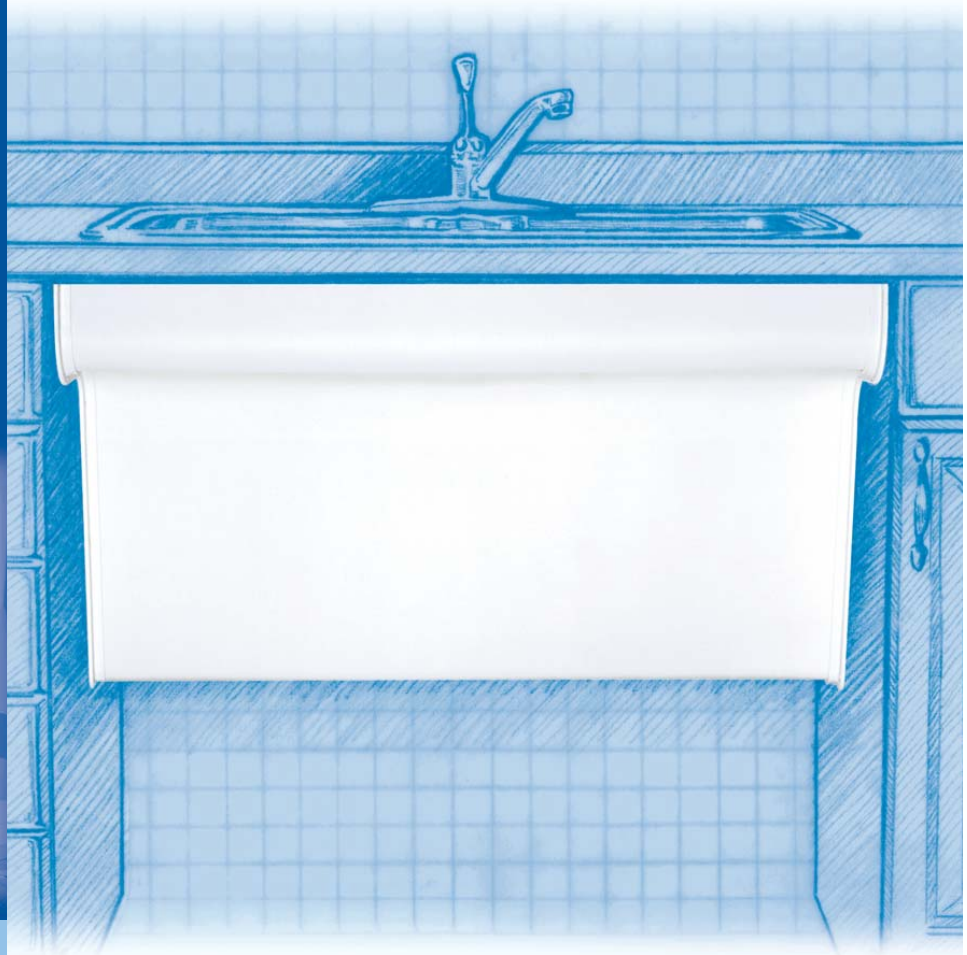
Interior designers appreciate the versatility of BASIN GUARD for easy application in homes, schools, commercial businesses, hotels, and more.

Since 1990, the TRUEBRO® product line has concentrated its efforts on "Making America Accessible" by creating products that address ADA-mandated undersink wheelchair accessibility.

Specifying TRUEBRO is your assurance of protecting people with disabilities while providing quality, durability, and improved aesthetics.



BASIN GUARD®
UNDERSINK PROTECTIVE ENCLOSURES



BASIN GUARD® is the latest design in undersink protection from TRUEBRO. This smooth, attractive enclosure conceals unsightly piping and mechanical connections, and still maintains ADA mandated knee and foot clearance. BASIN GUARD can be installed under kitchen, classroom, and lavatory sinks where counter tops and sidewalls are present. Bottom opening allows for easy service access.



PLUMBING



Features and Benefits:

ADA-conforming design protects wheelchair users from scalding and sharp, abrasive surfaces.

When installed, all plumbing and mechanical components are concealed.

36" and 42" enclosures are easy to specify, stock and install.

The BASIN GUARD may be used with virtually any ADA-compliant sink or restroom lavatory where countertops and sidewalls are present. Such sinks are commonly specified in H.U.D. housing, elderly housing, condominiums, hotels, motels, and schools with in-classroom sinks.

High-impact, UV-protected vinyl maximizes product life cycle.

The BASIN GUARD is molded from impact-resistant, stain-resistant, and chemical-resistant protective vinyl for durability, safety, and long life.

"Front shield" design protects undersink components from tampering.

Durable, heavy-duty enclosure conceals all continuous-waste piping, electronic faucet connections, dishwasher connections, garbage disposals, mixing valves, trap primers, and instantaneous hot water heaters.

Strict code compliance minimizes risk.

The BASIN GUARD complies with ADA article 4.19.4, California Plumbing Code 1504.2.1, ANSI A117.1, BOCA P 1203.4, and other state and local regulations. BASIN GUARD also has a flammability resistance, tested in accordance with Underwriters Laboratories for the UL 94 standard with a V-0 rating.



Available in white or beige (as shown above).

Suggested Specification:

ADA-compliant wheelchair accessible lavatories with countertops and sidewalls shall be equipped with the molded TRUEBRO, INC. BASIN GUARD undersink protective enclosure (Model #36 for 36" wide or #42 for 42" wide), Color: beige or white.

10/10

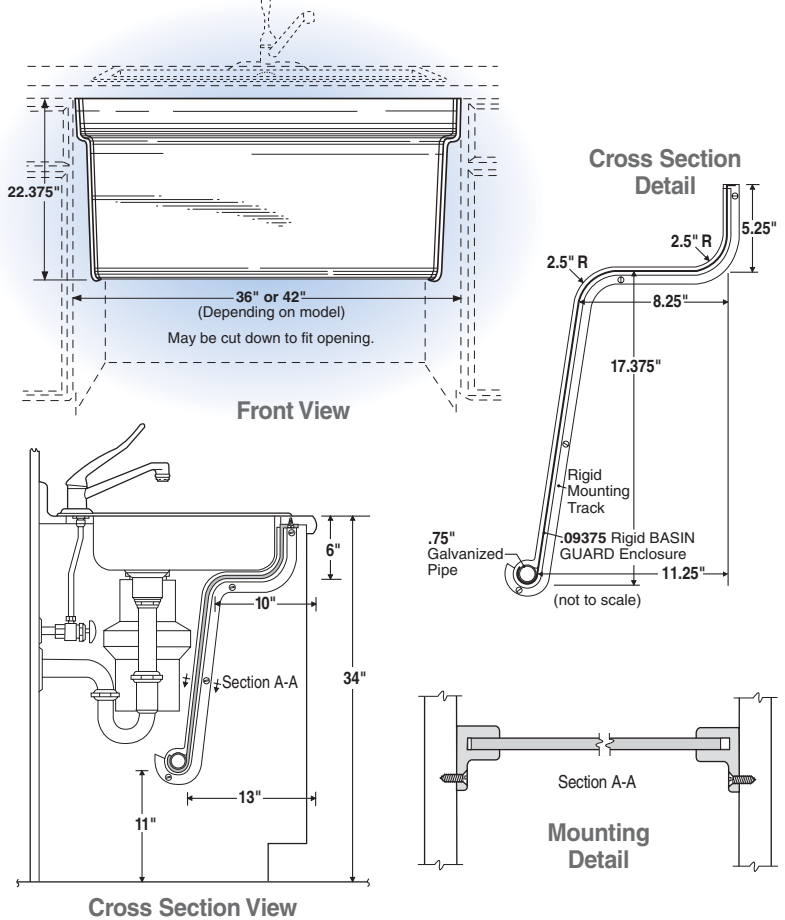
Specifications:

Material	Rigid high-impact, stain-resistant PVC
Nominal Wall	.093" constant
Finish	Fine haircell
UV Protection	Will not fade or discolor
Durability	Virtually indestructible
Fasteners	Eight (8) – #6 X 1/2" screws
Color	White or beige
Paintability	Apply acrylic enamel or latex paint
Flammability	UL-94 V-0, 5VB

Models:

#36	36" wide – available in white or beige
#42	42" wide – available in white or beige

Specifications may change without notice.



500 Distribution Parkway, Collierville, TN 38017
 1-800-888-8312 • 901-853-5001 • FAX: 901-853-5008
 watertite@ipscorp.com • www.ipscorp.com/truebro



BASIN GUARD CLASSIFIED BY UNDERWRITERS LABORATORIES, INC.* IN ACCORDANCE WITH ADA article 4.19.4.22FF

U.S. and Canadian Patents:
 77,065, D375,154

SPEC

PFXC7017

ORVIS SINGLE HANDLE PULL-DOWN KITCHEN FAUCET



Product Features

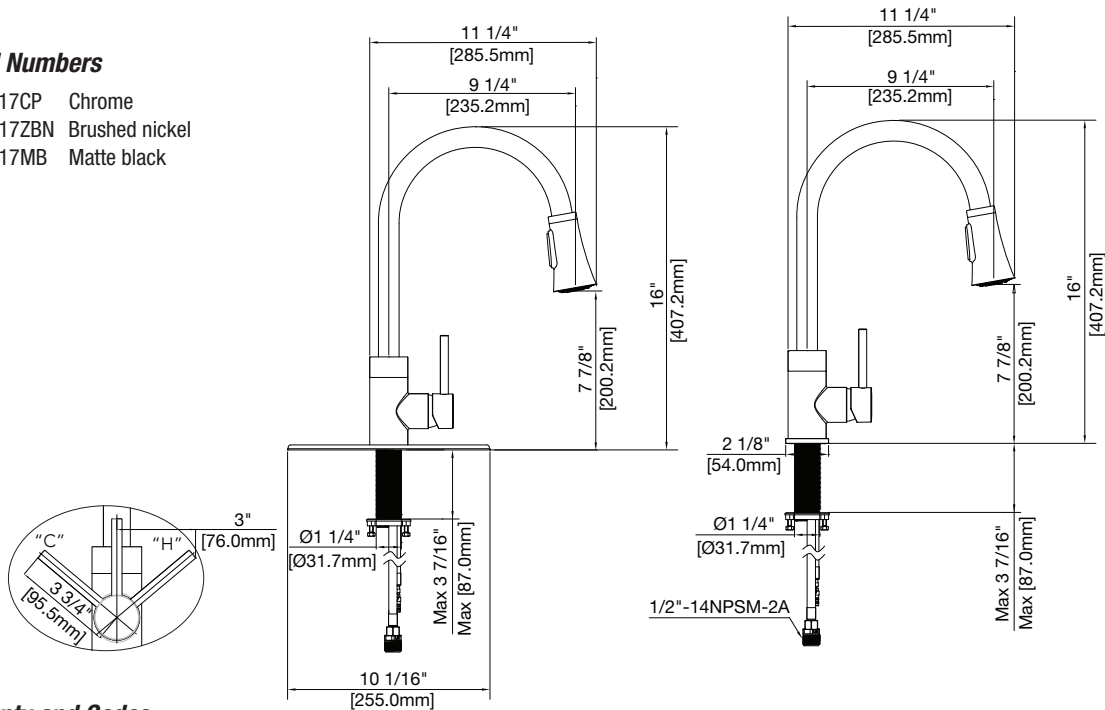
- Ceramic disc cartridge
- Metal handle
- NSF/ANSI/CAN61: $Q \leq 1$
- 3-Function sprayer -stream, full spray & pause with 360° swivel
- Single hole or 3-hole sink Installation
- Optional deck plate
- Max. flow rate: 1.5 gpm at 60 psi
- Lifetime limited warranty
- Certified to ASME A112.18.1 / CSA B125.1
- cUPC/IAPMO listed
- ADA compliant



PFXC7017CP

Model Numbers

- PFXC7017CP Chrome
- PFXC7017ZBN Brushed nickel
- PFXC7017MB Matte black



Warranty and Codes

This product comes complete with installation, operating, care and maintenance instructions. This PROFLO faucet carries a limited lifetime warranty when installed in residential applications. The warranty is five years in commercial applications.

*Compliant with lead content requirements of California AB 1953.

Distributed Exclusively by Ferguson and Wolsley Canada
©2022 Ferguson Enterprises, Inc. All Rights Reserved.

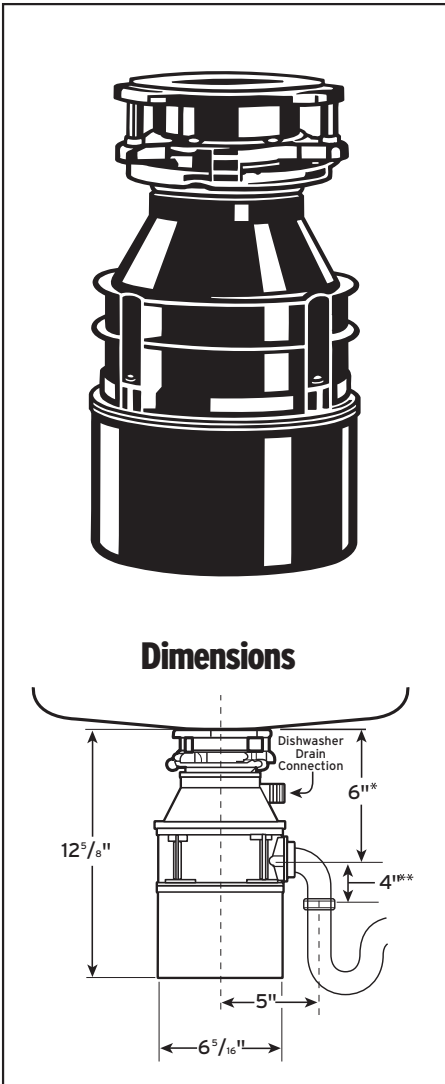


FERGUSON.COM/PROFLO

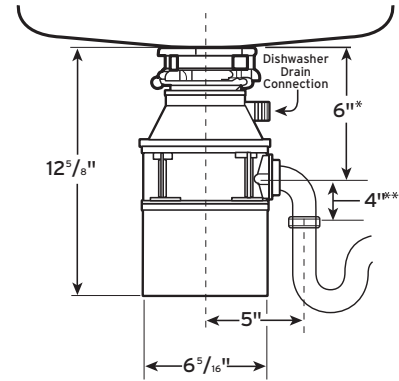
06/01/22 Rev.A

FWD-2

1/2 Horsepower Food Waste Disposer



Dimensions



* Distance from bottom of sink to center line of disposer outlet.
Add 1/2" when stainless steel sinks are used.
** Length of tailpipe from center line of disposer outlet to end of tailpipe.
NOTE: Plumb waste line to prevent standing water in disposer motor housing.

Submittal Sheet

- 1-year limited warranty*
- Plastic grind chamber
- Galvanized steel grinding elements with two stainless steel 360° swivel lugs
- Stainless steel sink flange with positive seal 1-piece plastic stopper
- Overload protector manual reset
- Permanently lubricated upper and lower bearings
- Quick Lock® mounting for fast, easy installation
- Exclusive cushioned anti-splash baffle
- Dishwasher drain connection

Specifications

Type of Feed	Continuous
On/Off Control	Wall Switch
Motor	Single Phase
HP	1/2
Volts	120
HZ	60
RPM	1725
Amp. (Avg. Load)	6.3
Time Rating	Intermittent
Lubrication	Permanently Lubricated Upper & Lower Bearings
Shipping Weight (Approx.)	14 lbs. 3 oz.
Unit Finish	Waterborne Brown Enamel
Overall Height	11-3/8"
Grind Chamber Capacity	26 oz.
Motor Protection	Manual Reset Overload
Average Water Usage	Approx. 1 Gallon Per Person Per Day
Average Electrical Usage	3-4 KWH per Year
Drain Connection	1-1/2" Cushioned Slip Joint
Dishwasher Drain Connection	Yes

Sample Specification

Food Waste Disposer(s) shall be FWD-2, continuous feed, with 1/2 H.P. motor, galvanized steel grinding elements with two stainless steel 360° swivel lugs. Warranty - 1-year limited.

* The complete FWD warranty is included in the Care & Use Booklet packed with each unit.



Food waste disposers can provide an environmentally responsible alternative to transporting food waste to landfills. And they can help reduce greenhouse gas emissions. At capable wastewater treatment plants, food waste can be recycled to produce renewable energy. Additionally, capable wastewater treatment plants can process food waste into fertilizer. (Check the plant in your area.)

www.insinkerator.com/green

Job Specifications



Quick Lock® is a registered trademark of Emerson Electric Co.



H732-12A-64-10

Printed in U.S.A.

© 2012 InSinkEerator, a business unit of Emerson Electric Co. All Rights Reserved.



Basket Strainers Stainless Steel

Model Numbers

- PF1431BRSS** Stainless steel basket strainer with brass nuts
- PF1431SS** Stainless steel basket strainer
- PF1431SSB** Replacement basket
- PF1432SS** Stainless steel deep cup basket strainer
- PF1435SS** Stainless steel basket strainer

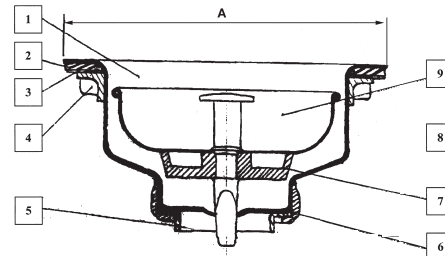


PF1431SS

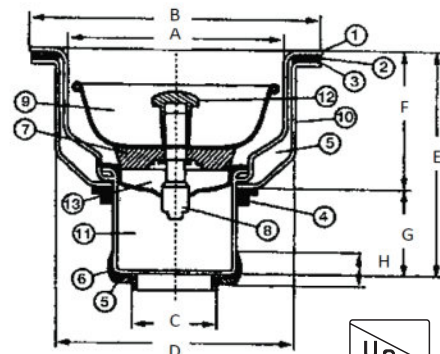
NO.	Part Name	PF1431SS	PF1431SSB	PF1431BRSS	PF1432SS	PF1435SS
1	Body	SS 430	N/A	SS 430	SS 430	SS 430
2	Washer	Rubber	N/A	Rubber	Rubber	Rubber
3	Washer	Paper	N/A	Paper	Paper	Paper
4	Lock Nut	Zinc	N/A	Brass	Zinc	Zinc
5	Tailpiece Washer	Plastic	N/A	Plastic	Plastic	Plastic
6	Slip Nut	Zinc	N/A	Brass	Zinc	Zinc
7	Stopper	Rubber	Rubber	Rubber	Rubber	Rubber
8	Post	Plastic CP	Plastic CP	Plastic CP	Zinc CP	Plastic cp
9	Basket	SS 430	SS 430	SS 430	SS 430	SS 430
10	Cup	N/A	N/A	N/A	Galvanized Steel	Galvanized Steel
11	Shank	N/A	N/A	N/A	SS 430	SS430

Product Specifications

PF1431SS



PF1432SS



Drawing #1	A
PF1431SS	4-1/2"
PF1431BRSS	4-1/2"
PF1435SS	4-1/2"

Drawing #2	A	B	C	D	E	F	G	H
PF1432SS	3-3/16	4-3/8	1-5/16	3-1/2	3-9/16	2	1-9/16	1/2

Warranty and Codes

This PROFLO product carries a 1-year limited warranty.

Distributed Exclusively by Ferguson, Stock Building Supply and Wolseley Canada

© 2019 Ferguson Enterprises, LLC. All Rights Reserved



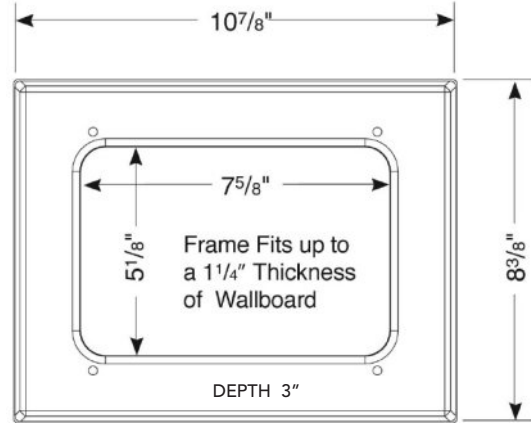
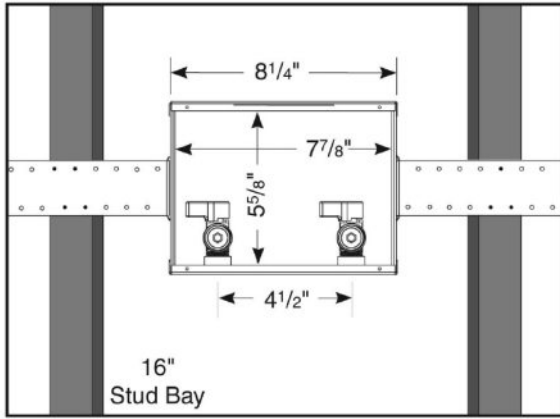
CAP 07/19-A

PLUMBING

SPECIFICATION SUBMITTAL SHEET



CENTER DRAIN WHITE POWDER COATED WMOB with Quarter Turn Valves



Specifications:

Furnish and install center drain white powder coated metal washing machine outlet box. Unit shall be Guy Gray product code as manufactured by IPS Corporation

Box Material:

White Powder Coat on Cold Rolled Steel Finish
20 gauge box with 20 gauge face plate

Valve & Drain Option:

Top mount Qtr. Turn Valve kit with 1/2" Sweat/MIP or Wirsbo. Kit includes valves, locknuts and o-rings. 2" slipnut drain kit included.

Item #	Product Description	Model #	Quantity
82161	1/2" Qtr Turn Sweat Valve TM Installed, 2" Slipnut Drain Kit	MWB21	5
82162	1/2" Qtr Turn Wirsbo® Top Mount Installed, 2" Slipnut Drain Kit	MWB22	5
86162	1/2" Qtr Turn Sweat Valve TM Installed, Arrester, 2" Slipnut Drain Kit	MWB26	5



500 Distribution Parkway, Collierville, TN 38017, USA ■ TEL: 800-888-8321 ■ Fax: 901-853-8312 ■ www.ipscorp.com

SPEC

PFWSC3017

SINGLE HANDLE LAVATORY FAUCET



Product Features

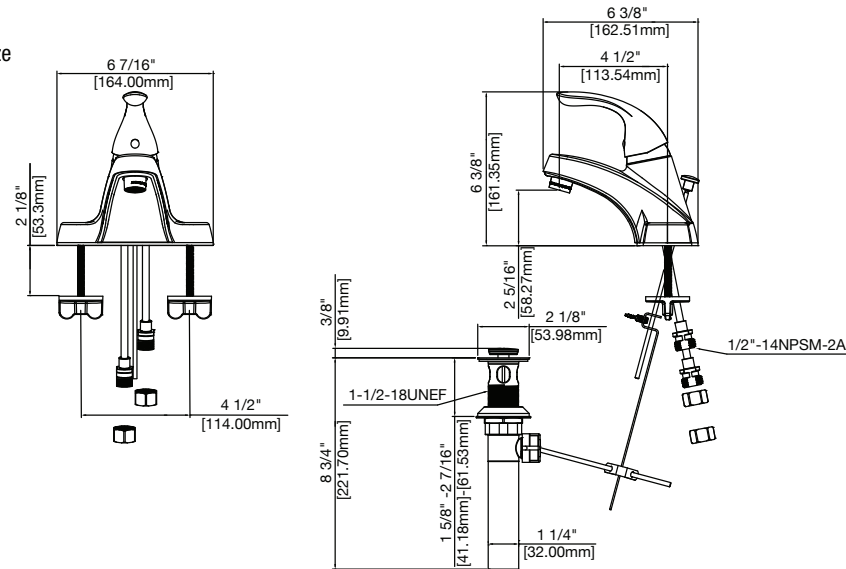
- Ceramic disc cartridge
- Metal handle
- With 50/50 pop-up drain
- 3-hole 4" on-center installation
- Max. flow rate: 1.2 gpm at 60 psi
- ADA compliant
- cUPC/IAPMO listed
- NSF/ANSI/CAN61: $Q \leq 1$
- Certified to ASME A112.18.1 / CSA B125.1
- WaterSense certified



PFWSC3017CP

Model Numbers

PFWSC3017CP	Chrome
PFWSC3017ORB	Oil rubbed bronze
PFWSC3017ZBN	Brushed nickel



Warranty and Codes

This product comes complete with installation, operating, care and maintenance instructions. This PROFLO faucet carries a limited lifetime warranty when installed in residential applications. The warranty is five years in commercial applications.

*Compliant with lead content requirements of California AB 1953.

Distributed Exclusively by Ferguson and Wolseley Canada
©2022 Ferguson Enterprises, Inc. All Rights Reserved.



FERGUSON.COM/PROFLO

05/27/22 Rev.A

Specifications

PROFLO

PFX146 Stainless Steel and PVC Faucet Reinforced Flexible Connectors



Product Features

- Working Temperature: 40°F – 140°F
- Working Pressure: Up to 125 PSI maximum
- Internal Hose: Reinforced PVC
- Outer Wire Braid: 304 stainless steel (not applicable to PVC connectors PFX146022, PFX146023, PFX146024)
- Barb: Low lead brass alloy
- Metal Nuts: Nickel-plated brass alloy
- Ferrule: Nickel-plated brass alloy
- Washer: Santoprene rubber

Installation Instructions

- For use with water in accessible locations only
- Metal Nuts: Hand-tighten plus 1/4 turn with wrench
- Do not overtighten nuts
- Check for leaks before leaving jobsite
- Inspect regularly for general fitness and replace if damaged, corroded or worn
- Do not expose to corrosive chemicals



PFX146322

PFX146430



PFX146302

PFX146024

Models and Product Certifications

Model #	Description	cUPC	UPC	Low Lead
PFX146022	3/8" COMP X 1/2" FIP X 12" PVC Faucet	✓	✓	✓
PFX146023	3/8" COMP X 1/2" FIP X 16" PVC Faucet	✓	✓	✓
PFX146024	3/8" COMP X 1/2" FIP X 20" PVC Faucet	✓	✓	✓
PFX146302	1/2" FIP X 1/2" FIP X 12" SS Faucet	✓	✓	✓
PFX146303	1/2" FIP X 1/2" FIP X 16" SS Faucet	✓	✓	✓
PFX146304	1/2" FIP X 1/2" FIP X 20" SS Faucet	✓	✓	✓
PFX146306	1/2" FIP X 1/2" FIP X 30" SS Faucet	✓	✓	✓
PFX146322	3/8" COMP X 1/2" FIP X 12" SS Faucet	✓	✓	✓
PFX146323	3/8" COMP X 1/2" FIP X 16" SS Faucet	✓	✓	✓
PFX146324	3/8" COMP X 1/2" FIP X 20" SS Faucet	✓	✓	✓
PFX146326	3/8" COMP X 1/2" FIP X 30" SS Faucet	✓	✓	✓

Model #	Description	cUPC	UPC	Low Lead
PFX146330	3/8" COMP X 1/2" FIP X 48" SS Faucet	✓	✓	✓
PFX146332	3/8" COMP X 1/2" FIP X 60" SS Faucet	✓	✓	✓
PFX146334	3/8" COMP X 1/2" FIP X 72" SS Faucet	✓	✓	✓
PFX146342	3/8" COMP X 3/8" COMP X 12" SS Faucet	✓	✓	✓
PFX146343	3/8" COMP X 3/8" COMP X 16" SS Faucet	✓	✓	✓
PFX146344	3/8" COMP X 3/8" COMP X 20" SS Faucet	✓	✓	✓
PFX146423	1/2" COMP X 1/2" FIP X 16" SS Faucet	✓	✓	✓
PFX146424	1/2" COMP X 1/2" FIP X 20" SS Faucet	✓	✓	✓
PFX146430	3/8" COMP X 3/8" OD COUP X 12" SS Faucet	✓	✓	✓
PFX146432	3/8" COMP X 3/8" OD COUP X 20" SS Faucet	✓	✓	✓

Warranty and Codes

This PROFLO product carries a 1-year limited warranty. IAPMO listed to ASME A112.18.6-2017/CSA B125.6-17. IAPMO listed to NSF/ANSI 61-2018.



Distributed Exclusively by Ferguson and Wolseley Canada
©2020 Ferguson Enterprises, LLC 0520 1860103

PROFLO.COM

PF20171 / PF20174 / PF20178

**Drop-in Lavatory
Vitreous China - 20" x 17"**



Product Features

- Vitreous china
- Self-rimming lavatory
- Concealed front overflow drain
- Available 4CC, 8CC or single faucet hole
- Can be mounted for ADA Installation

Codes and Standards

- ADA
- IAPMO/UPC
- ASME/ANSI A112.19.2M
- CSA B45



PF20174

Specified Model

Model	Model Description	Color Finishes
PF20171	Drop-in lav 17 1/2" x 20 1/2"- single faucet hole	○ White
PF20174	Drop-in lav 17 1/2" x 20 1/2"-- 4cc	○ White ○ Biscuit
PF20178	Drop-in lav 17 1/2" x 20 1/2"-- 8cc	○ White ○ Biscuit



Distributed Exclusively by Ferguson and Wolsley Canada

© 2014 Ferguson Enterprises, Inc.

19080 01/14

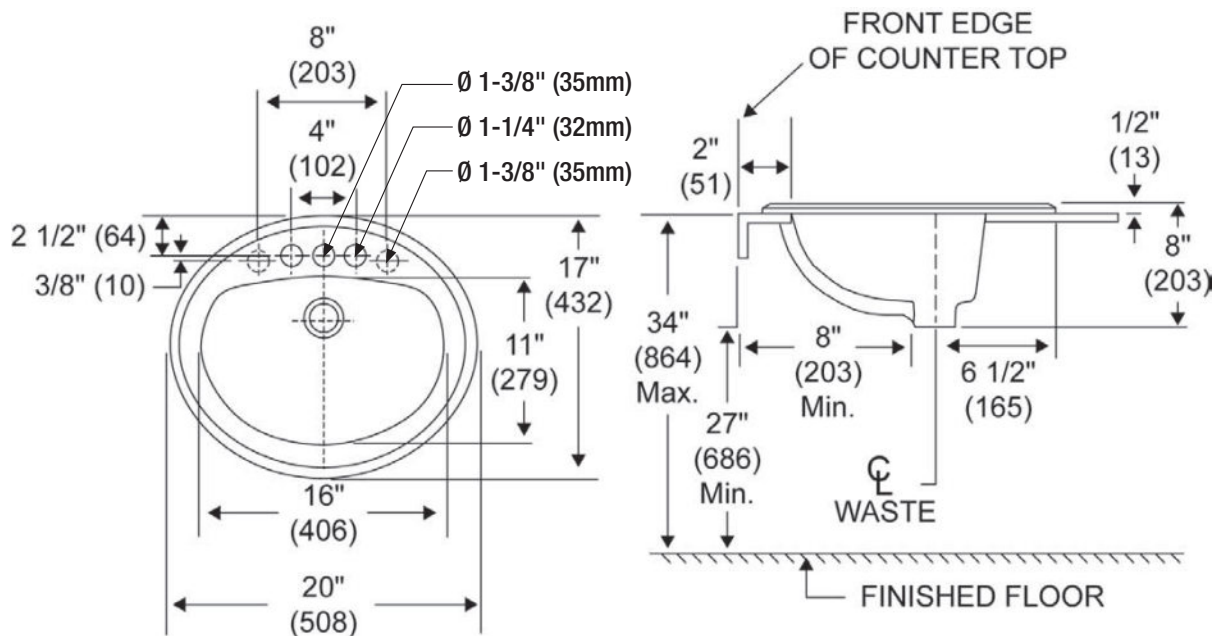
PF20171 / PF20174 / PF20178

**Drop-in Lavatory
Vitreous China - 20" x 17"**



Product Specification:

The self-rimming lavatory shall be 17 1/2" in length by 20 1/2" in width. Lavatory shall be made of vitreous china. Lavatory shall have 4" centers (PF20174), 8" centers (PF20178) or single faucet hole (PF20171).



Warranty and Codes:

These products come complete with installation, operating, care and maintenance instructions. All PROFLO fixtures carry a 1-year limited warranty. These products meet or exceed ASME/ANSI A112.19.2M. In an effort to continually improve our products, we will make design changes from time to time. We reserve the right to ship newly designed product to fill any order unless we agree in writing to do otherwise.



Specifications

PF1812U

Undercounter Lavatory Vitreous China



Product Features

- Vitreous china with front overflow
- Rectangle undercounter lavatory
- Mounting clips included
- Internal basin depth: 6-5/16"
- Basin depth to overflow: 5-1/4"
- Meets ASME standard: A112.19.2M
- cUPC/IAPMO listed
- Can be mounted for ADA installation
- Available in white or biscuit

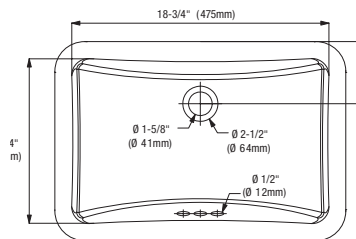
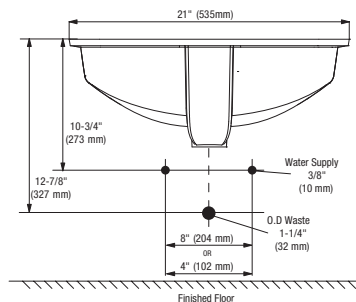
Dimensions

- Interior: 18-3/4" x 12-1/4"
- Exterior: 21" x 14-1/2"

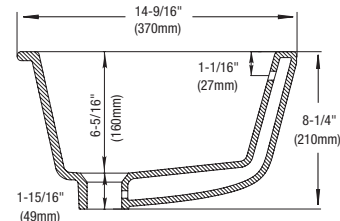
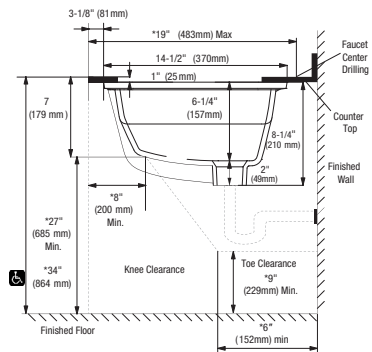
Model Numbers

- PF1812UWH 18" x 12" vc undercounter lavatory—white
 PF1812UBS 18" x 12" vc undercounter lavatory—biscuit

Product Specifications



PF1812UWH



*All dimensions and specifications are nominal and may vary: Dimensions of 8" and greater have a tolerance of +3%. Dimensions less than 8" have a tolerance of +5%
 Please utilize the current cutout template for countertop cutouts.

Warranty and Codes

This product comes complete with installation, operating, care and maintenance instructions. This PROFLO lav carries a lifetime warranty on the porcelain. This product meets or exceeds ASME/ANSI A112.19.2M In an effort to continually improve our products, we will make design changes from time to time. We reserve the right to ship newly designed product to fill any order unless we agree in writing to do otherwise.

©2022 Ferguson Enterprises, LLC 0422 3959060



FERGUSON.COM/PROFLO

PF5514/PF5518

Wall Hung Lavatories



Product Features

- 20" x 18" Wall hung lavatory
- Available with 4" and 8" faucet drillings
- ADA compliant
- High back splash
- Concealed arm carrier connection (arm carriers not included)
- Wall mount bracket included
- Concealed front overflow



PF5518WH

Color Specifications

White

Model Numbers

- | | |
|-----------------|---|
| PF5511WH | 20" x 18" single hole lavatory, white |
| PF5514WH | 20" x 18" 3 hole, 4" centerset lavatory, white |
| PF5518WH | 20" x 18" 3 hole, 8" widespread lavatory, white |

Available Parts

- | | |
|----------------|--------------------------------|
| PFWMBKT | Replacement wall mount bracket |
|----------------|--------------------------------|

Warranty and Codes

These products come complete with installation, operating, care and maintenance instructions. All PROFLO fixtures carry a 1-year limited warranty. In an effort to continually improve our products, FEI will make design changes from time to time. We reserve the right to ship newly designed product to fill any order unless we agree in writing to do otherwise. This product meets or exceeds ASME/ANSI A112.19.2M.



PF5514/PF5518

Wall Hung Lavatories



Product Features

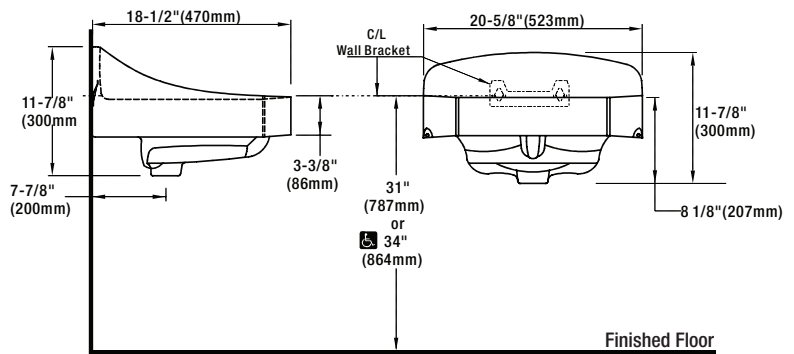
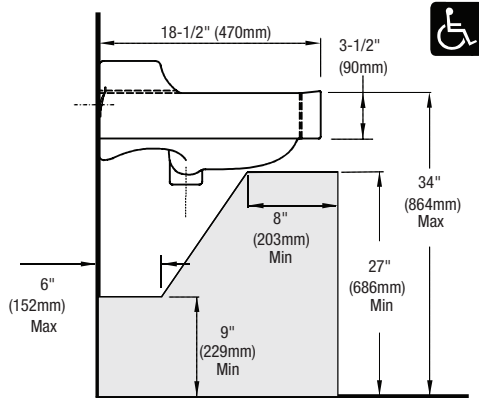
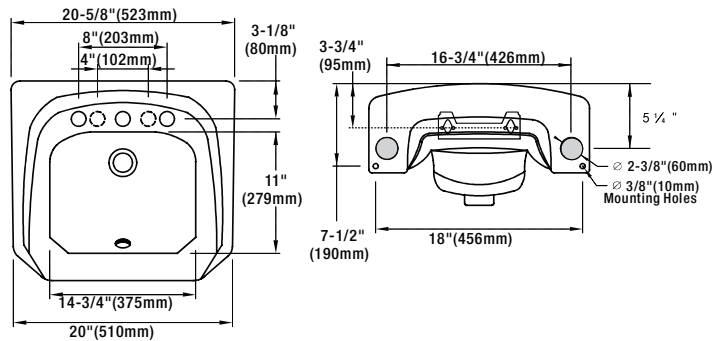
The wall mount lavatory shall be 20" x 18". Lavatory shall be made of vitreous china. Lavatory shall have 8" centers (PF5518), or 4" centers (PF5514). Lavatory shall include overflow.

Nominal Dimensions:

20-5/8" x 18-1/2" (523mm x 470mm)

Bowl Size:

14-3/4" (375mm) wide
 11" (279mm) front to back
 6-1/8" (156mm) deep



LAVATORY PROTECTIVE ENCLOSURES

LAV SHIELD®

Overview

Lav Shield® represents the “next generation” of ADA compliant undersink protection by meeting mandated knee and toe clearance requirements for wheelchair users. Durable, single-piece construction prevents pipe and component tampering, and conceals all lavatory piping, electronic faucet connections, mixing valves, trap primers, and instantaneous water heaters*— a truly attractive alternative to individual component covers that will satisfy even the most discriminating designer.

TOTAL ENCLOSURE DESIGN

Heavy-duty, vandal-resistant enclosure shields all piping, electronic faucet connections, mixing valves, trap primers, and instantaneous water heaters*. Vandal-resistant fasteners are available upon request.

SANITARY ADVANTAGES

Lav Shield contains an antimicrobial additive to resist fungal and bacterial growth making the Lav Shield an excellent cover to use in medical and health care facilities. Installing Lav Shield in these facilities eliminates the need to sanitize P-Traps, angle stops, supply lines and electrical components.

ADA-CONFORMING ATTRACTIVE PROFILE

The Lav Shield tastefully conceals all unsightly plumbing and components while satisfying ADA dimensional requirements.

STRICT CODE COMPLIANCE MINIMIZES RISK

The Lav Shield complies with ASME A112.18.9-2001, ADA article 4.19.4 (606.5), California P 1504B, ANSI A117.1, BOCA P 1203.4, and other state and local regulations.

EASY-TO-SERVICE SINGLE-PIECE CONFIGURATION

The Lav Shield may be quickly removed for convenient, unhindered access to all plumbing and mechanical components. Reinstallation takes just minutes.

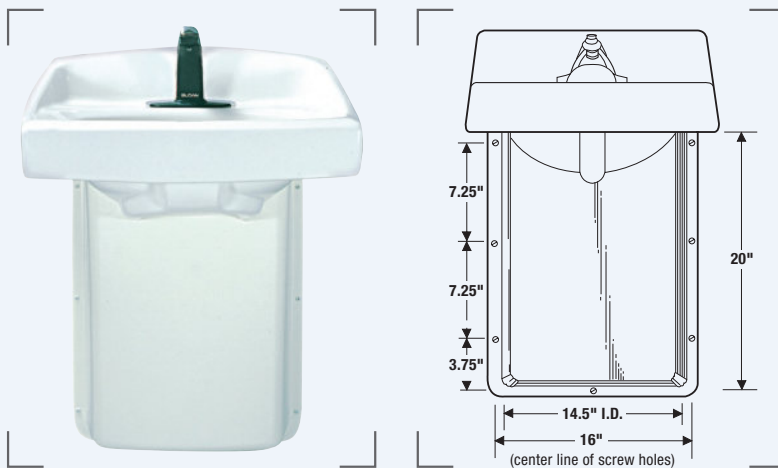
WIDE VARIETY OF CUSTOM OPTIONS

Available in our standard field fit model which allows contractor to custom fit Lav Shield to underside of lavatory. For an even faster and more tailored fit, Lav Shield can be purchased factory pre-cut to the underside geometry of the actual lavatory being installed. Pre-cut models are listed on following page.

RIGID HIGH-IMPACT, STAIN-RESISTANT PVC

The Lav Shield is molded from impact-resistant, stain-resistant and chemical-resistant rigid vinyl for durability, safety and long life.

NOW AVAILABLE IN
CUSTOM FINISHES



*Lavatory “rough in” should be considered to allow mounting room for instantaneous water heater behind enclosure. Contact TRUEBRO for specifications.



MADE IN THE USA



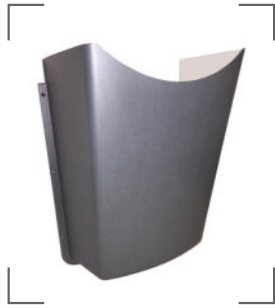
ADA COMPLIANT

ATTRACTIVE DESIGNER-STYLE,
TAMPER-RESISTANT, THE ULTIMATE
ADA-ENGINEERED PROTECTIVE
LAVATORY ENCLOSURE

LAVATORY PROTECTIVE ENCLOSURES

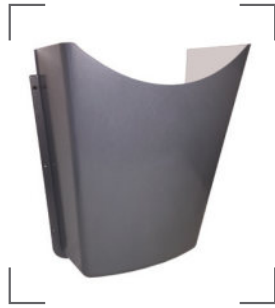
Custom Finish Lav Shields

The already attractive ADA compliant Lav Shield is now available in 10+ custom finishes to meet any designer needs. Custom finish Lav Shields are only available in the standard, fit to field, Lav Shield.



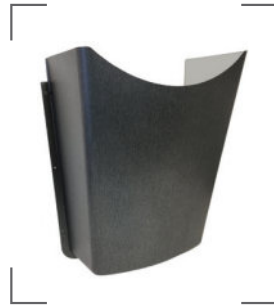
**ARCHITECTURAL
BRUSHED ALUMINUM**

Product: 82721
Model: WTP-907



STAINLESS STEEL

Product: 82722
Model: WTP-270



**STAINLESS STEEL
OVER BLACK**

Product: 82723
Model: WTP-270B



**ITALIAN LEATHER
ESPRESSO**

Product: 82736
Model: WTP-715



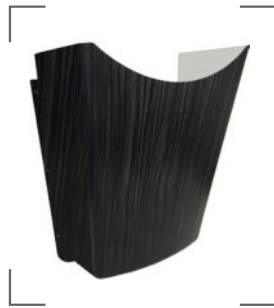
ROSEWOOD

Product: 82726
Model: WTP-488



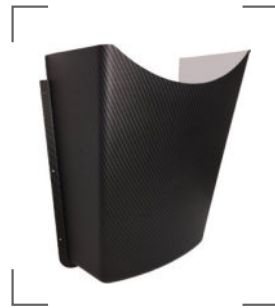
BURLWOOD

Product: 82727
Model: WTP-496



MONACO WALNUT

Product: 82728
Model: WTP-538



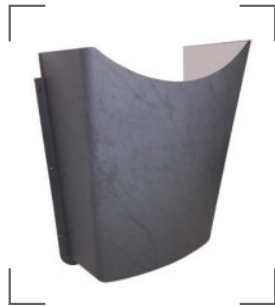
SPORT CARBON

Product: 82741
Model: WTP-940



BLACK MARBLE

Product: 82731
Model: WTP-512



GRAY MARBLE

Product: 82732
Model: WTP-659G



**ARCHITECTURAL
WHITE MARBLE**

Product: 82733
Model: WTP-659W

LAV SHIELD® LAVATORY PROTECTIVE ENCLOSURES

SPECIFICATIONS

Material	Rigid high-impact, stain-resistant PVC
Nominal Wall	.093"
Finish	Fine haircell
UV Protection	Will not fade or discolor
Durability	Virtually indestructible — tamper resistant screws available
Fasteners	7 stainless steel screws and wall anchors provided
Color	China white
Compatibility	Fits all ADA-conforming 20"x18" wall-hung lavatories
Paintability	Acrylic enamel or latex
UL Listing	In accordance with ADA Article 4.19.4 (606.5)
Flammability	UL-94 V-0, 5VA ASTM D-635-91 4 (ATB) 2.1 (AEB)
Bacterial/Fungal	ASTM G21 and G22 — Result 0

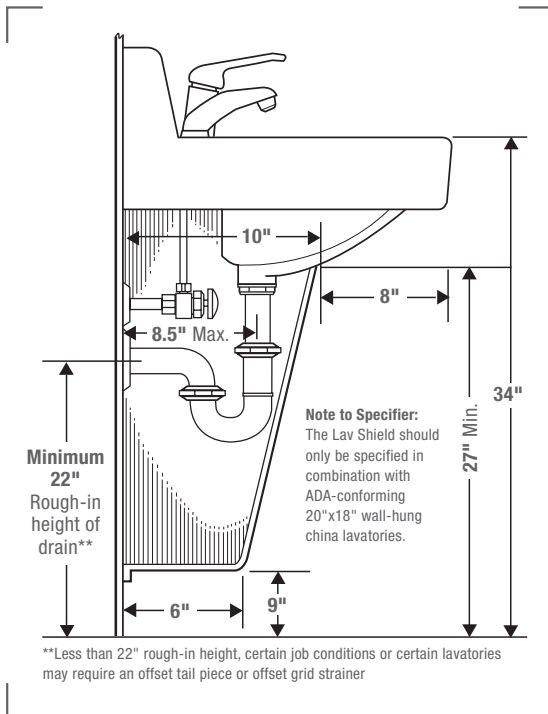
STANDARD MODELS

Model #20181	Standard (For field fit)
---------------------	--------------------------

CUSTOM FACTORY PRE-CUT MODELS

Pre-cut models are not returnable

Model: 2018-AS-C1	American Standard Comrade
Model: 2018-AS-D1	American Standard Declyn
Model: 2018-AS-L1	American Standard Lucerne
Model: 2018-AS-M1	American Standard Muro
Model: 2018-AS-OL1	American Standard Lucerne (old)
Model: 2018-AS-P1	American Standard Penlyn
Model: 2018-AS-R1	American Standard Roxalyn
Model: 2018-BD-I1	Bradley Imperial
Model: 2018-BR-M1	Briggs Milton
Model: 2018-BR-W1	Briggs Whitman
Model: 2018-CR-H1	Crane Harwich
Model: 2018-CR-N1	Crane Norwich
Model: 2018-CR-W1	Crane Westmont
Model: 2018-CR-Y1	Crane Yorkshire
Model: 2018-EL-B1	Eljer Blair
Model: 2018-EL-D1	Eljer Delwyn
Model: 2018-EL-M1	Eljer Mayburne
Model: 2018-EL-S1	Eljer Signature
Model: 2018-EL-U1	Eljer Bucknell
Model: 2018-GR-H1	Gerber Hayes
Model: 018-GR-M1	Gerber Monticello
Model: 2018-GR-P1	Gerber Plymouth
Model: 2018-KO-B1	Kohler Brenham
Model: 2018-KO-C1	Kohler Chesapeake
Model: 2018-KO-G1	Kohler Greenwich, Model 202
Model: 2018-KON-G1	Kohler Greenwich, Model 203
Model: 2018-KO-H1	Kohler Hudson
Model: 2018-KO-K1	Kohler Kingston
Model: 2018-KO-P1	Kohler Pinoir
Model: 2018-KO-S1	Kohler Soho
Model: 2018-MAN1	Mansfield Grand Isle
Model: 2018-SL-SS1	Sloan SS-3003
Model: 2018-TO-L1	Toto LT307
Model: 2018-ZN-Z1	Zum Z5344
Model: 2018-ZN-NZ1	Zum Z5344



Note: Model numbers listed on this page are for single pack Lav Shields. For bulk pack items, change the 1 in the model to a 4.

PFCT100HE, PFCT101HE, PFCT103HE



High-Efficiency Complete Toilet

Product Features

- Includes two-piece toilet combination, plastic toilet seat, wax ring and flange bolts - all in one box
- 1.28GPF HET, High Efficiency Toilet
- Gravity fed, jetted box rim
- 8" x 9" water surface
- Close coupled tank with cover
- Standard color match trip lever
- Available round front, elongated and ADA
- Anti-siphon fill valve
- Sanitary Bar on all bowls
- Uses 20% less water than standard low consumption toilets
- EPA WaterSense Certified
- Meets ANSI ASME A112.19.14-2006 and ASME A112.19.2M



PFCT101HEWH

Codes and Standards

- ADA (PFCT103HE)
- IAPMO/UPC
- ASME A112.19.2
- CSA B45.0
- CSA B45.1

Model Numbers

PFCT100HEWH	2pc RF HET with seat, wax ring and bolts, white
PFCT101HEWH	2pc EL HET with seat, wax ring and bolts, white
PFCT103HEWH	2pc ADA HET with seat, wax ring and bolts, white



PFCT100HE, PFCT101HE, PFCT103HE

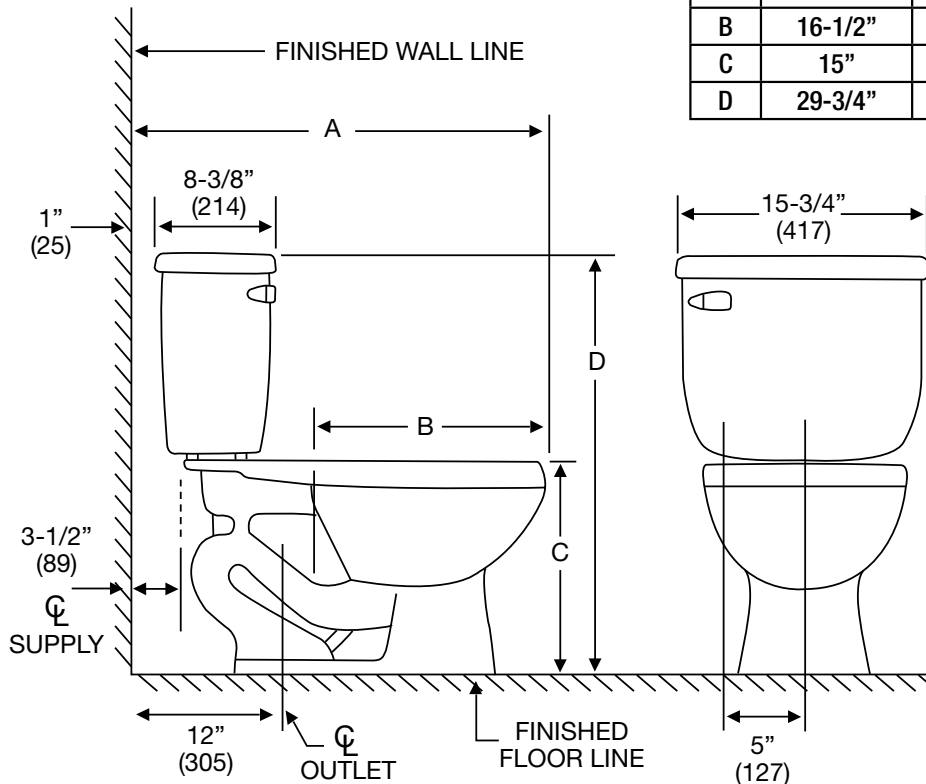


High-Efficiency Complete Toilet

Product Specification

The combination toilet shall be made of vitreous china. Toilet shall be 1.28 gpf (4.8 lpf). Toilet shall have 2" (5.1cm) fully glazed trapway. Toilet shall include color match trip lever. Toilet shall be less seat and supply. Toilet shall be ADA compliant (PFCT103HE) with 17" high bowl.

	RF	EL	ADA
	PFCT100HE	PFCT101HE	PFCT103HE
A	28-1/2"	30-1/2"	30-1/2"
B	16-1/2"	18-1/2"	18-1/2"
C	15"	15"	17"
D	29-3/4"	29-3/4"	31-1/4"



Warranty and Codes

This product comes complete with installation, operating, care and maintenance instructions. All PROFLO fixtures carry a 1- year limited warranty. This product meets or exceeds ASME/ANSI A112.19.2M. In an effort to continually improve our products, we will make design changes from time to time. We reserve the right to ship newly designed product to fill any order unless we agree in writing to do otherwise.



PFX146

Stainless Steel and PVC Toilet

Reinforced Flexible Connectors



Product Features

- Working Temperature: 40°F to 140°F
- Working Pressure: up to 125 PSI maximum
- Internal Hose: reinforced PVC
- Outer Wire Braid: 304 stainless steel (not applicable to PVC connector – PFX146172)
- Barb: low lead brass alloy
- Metal Nuts: nickel-plated brass alloy
- Ferrule: nickel-plated brass alloy
- Washer: Santoprene/EPDM rubber



PFX146172



PFX146463

Installation Instructions

- For use with water in accessible locations only
- Metal Nuts: hand tighten plus 1/4 turn with wrench
- Plastic Nuts: hand tighten only and do not use tools
- Do not over tighten nuts
- Check for leaks before leaving job site
- Inspect regularly for general fitness and replace if damaged, corroded or worn
- Do not expose to corrosive chemicals



PFX146472

Models and Product Certifications

Model #	Description	cUPC	UPC	Low Lead Compliant
PFX146172	3/8" COMP X 7/8" BALLCOCK X 12" PVC Toilet	✓	✓	✓
PFX146462	1/2" FIP X 7/8" BALLCOCK X 12" SS Toilet	✓	✓	✓
PFX146463	1/2" FIP X 7/8" BALLCOCK X 16" SS Toilet	✓	✓	✓
PFX146471	3/8" COMP X 7/8" BALLCOCK X 9" SS Toilet	✓	✓	✓
PFX146472	3/8" COMP X 7/8" BALLCOCK X 12" SS Toilet	✓	✓	✓
PFX146473	3/8" COMP X 7/8" BALLCOCK X 16" SS Toilet	✓	✓	✓
PFX146474	3/8" COMP X 7/8" BALLCOCK X 20" SS Toilet	✓	✓	✓
PFX146492	1/2" COMP X 7/8" BALLCOCK X 12" SS Toilet	✓	✓	✓

Warranty and Listing Certification

This PROFLO product carries a 1-year limited warranty.
 IAPMO listed to ASME A112.18.6-2009 and CSA B125.6-2009
 IAPMO listed to NSF/ANSI 61 and NSF/ANSI 372

Specifications

PFSH303G **Low Flow 1.5 gpm Shower** **Head**



Product Features

- Solid brass swivel connection
- Available in polished chrome, brushed nickel and oil rubbed bronze
- Max. flow rate: 1.5 gpm (5.7 L/min) at 80 psi
- Easy clean rubber nozzles
- cUPC/IAPMO listed
- Uses 40% less water than conventional 2.5 gpm shower heads
- WaterSense® certified

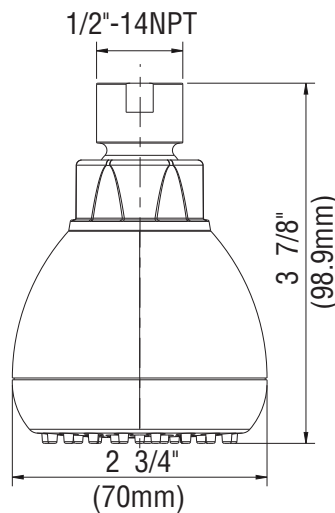


Optional Accessories / Available Parts

PFSH303GCP	Chrome
PFSH303GZBN	PVD Brushed nickel
PFSH303GNORB	Oil rubbed bronze

PFSH303GCP

Product Specifications



* All measurements are nominal. Please verify before actual installation.

Warranty and Codes

This product comes complete with installation, operating, care and maintenance instructions. This PROFLO faucet carries a limited lifetime warranty when installed in residential applications. The warranty is five years in commercial applications.



PF4001

Pressure Balance Tub And Shower Faucet Valve With Stop



Product Features

- Pressure balance valve with integral stops
- One-piece cartridge design for ease of maintenance
- Ceramic disc valve cartridge
- Back-to-back capability
- Cast bronze valve body
- Optional air test cap available
- Adjustable temperature limit stop
- IAPMO Approved
- Quick remove plaster guard
- Easy mounting brackets
- Meets or exceeds ASSE 1016-P standards (anti-scald)

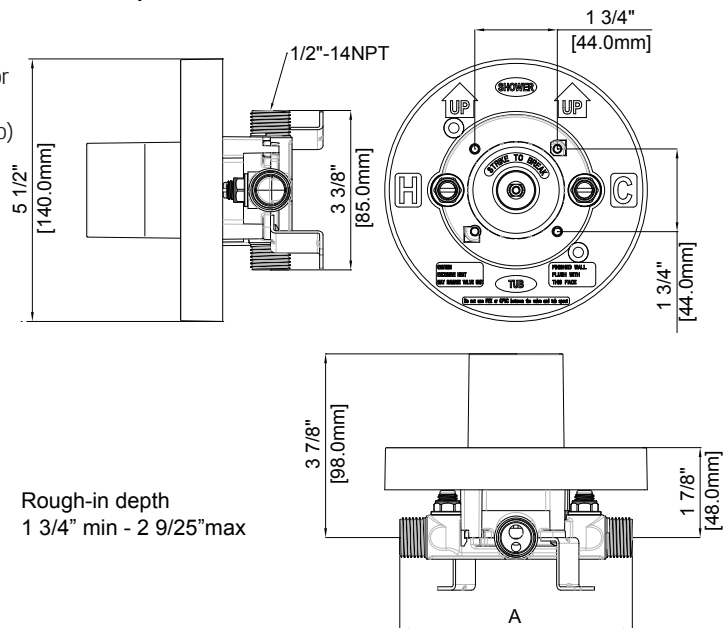


PF4001

Model Numbers

- PF4001** Ceramic disc tub and shower valve with stops 1/2" MIP and SWT
- PF4001C** Ceramic disc tub and shower valve with stops CPVC connection
- PF4001F** Ceramic disc tub and shower valve with stops FIP
- PF4001P** Ceramic disc tub and shower valve with stops PEX ASTM F1807 crimp connector
- PF4001WP** Ceramic disc tub and shower valve with stops PEX ASTM F1960 Uponor (Wirsbo) connector

Product Specifications



Available Parts

- ACF4001UCRT** Replacement cartridge assembly
- ACF4001AIR** Air test cap
- ACF4001GRD** Plaster guard
- ACF4001EXTCP** Deep rough extension kit CP
- ACF4001EXTBN** Deep rough extension kit BN
- ACF4001EXTORB** Deep rough extension kit ORB
- ACF4001EXTPN** Deep rough extension kit PN
- ACF4001STOP** Stop valve

	A (in)	A (mm)
PF4001	4 7/8	124
PF4001C	6	152
PF4001F	4 7/8	124
PF4001P	6 1/8	155
PF4001WP	6 3/8	162

FLOW RATES (GALLONS PER MINUTE)

PF4001 VALVES	20psi	30psi	40psi	50psi	60psi	70psi	80psi
WITH STOPS	3.17	3.83	4.49	5.02	5.55	5.94	6.34

Warranty and Codes

This product comes complete with installation, operating, care and maintenance instructions. This PROFLO faucet carries a limited lifetime warranty when installed in residential applications. The warranty is five years in commercial applications. This product meets ASME A112.18.1 and ASSE 1016-P.

Distributed Exclusively by Ferguson and Wolseley Canada
©2018 Ferguson Enterprises, Inc. All Rights Reserved



08/03/18 Rev.C



DESCRIPTION

- Metal and brass construction with Chrome plated finish, also in Classic Brushed Nickel (CBN) finish
- Single function handheld shower with non-positive shut off
- Contains: hand-held shower, stainless steel, 1 1/2" dia. slide bar grab bar, drop ell, vacuum breaker, 69" metal hose and mounting hardware
- Easy cleaning rubber nozzles

FLOW

- 1.1 gpm (4.2 L/min) minimum at 45 psi
- 1.5 gpm (5.7 L/min) maximum at 80 psi

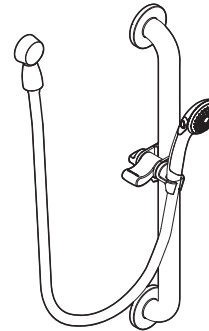
STANDARDS

- Third party certified to Watersense®, ASME A112.18.1/CSA B-125.1, ASSE 1014 and all applicable requirements referenced therein
- Includes ADA compliant grab bar

WARRANTY

- Warranted for 5 years against material or manufacturing defects

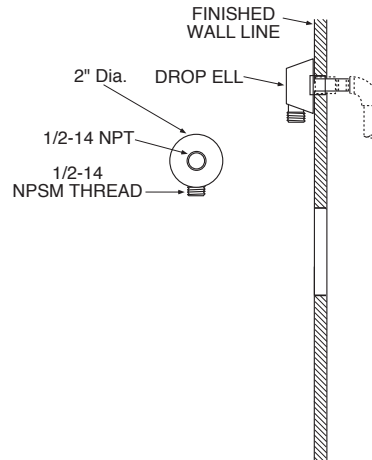
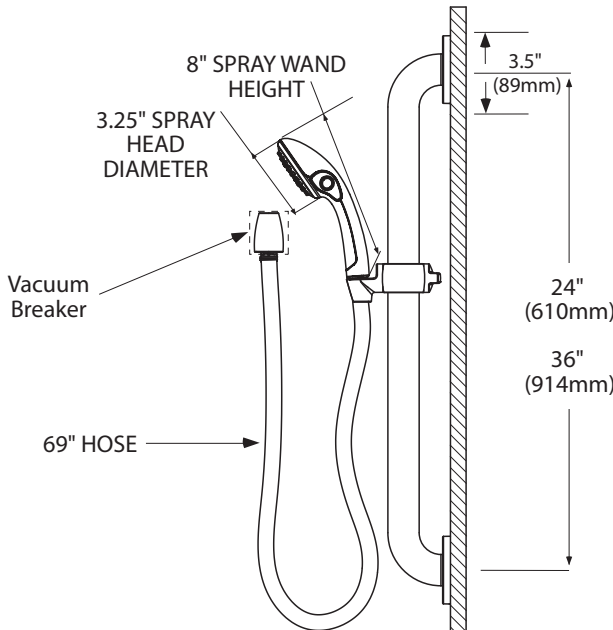
Specifications



Handheld With Slide Bar/Grab Bar



- Model:** 52224GBM15 (24" Grab Bar)
 52224GBM15CBN (24" Grab Bar)
 52236GBM15 (36" Grab Bar)
 52236GBM15CBN (36" Grab Bar)



CRITICAL DIMENSIONS

(DO NOT SCALE)



Buy it for looks. Buy it for life.®

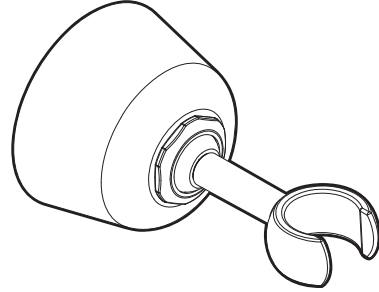
DESCRIPTION

- Metal construction with various finishes identified by suffix

WARRANTY

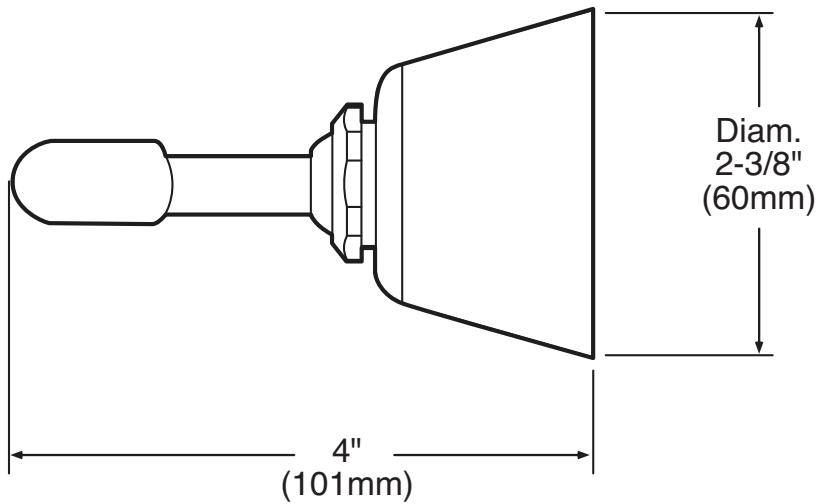
- Lifetime limited warranty against leaks, drips and finish defects to the original consumer purchaser
- 5 year warranty if used in commercial installations

Specifications



WALL BRACKET

Models: 114348 series



CRITICAL DIMENSIONS

(DO NOT SCALE)

FOR MORE INFORMATION: 1-800-BUY-MOEN

www.moen.com

PLUMBING

Specifications

PF7600S SERIES

SHOWER HANDLE TRIM KIT



Product Features

- Metal lever handle
- cUPC/IAPMO Listed
- ADA Compliant
- Use with PF4001 series valve

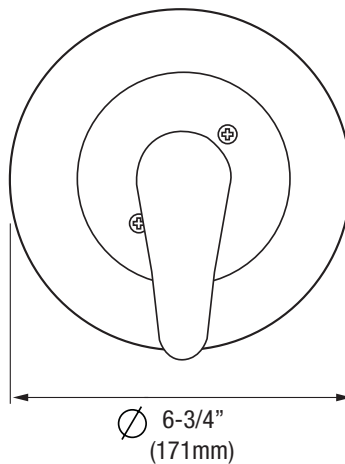


PF7600SCP

Model Numbers:

- PF7600SCP Chrome
- PF7600SZBN Brushed nickel

Product Specifications



* All measurements are nominal. Please verify before actual installation.

Warranty and Codes

This product comes complete with installation, operating, care and maintenance instructions. This PROFLO faucet carries a limited lifetime warranty when installed in residential applications. The warranty is five years in commercial applications. This product meets ASME: A112.18.1. Compliant with lead content requirements of US Senate Bill S.3874.



©2021 Ferguson Enterprises, LLC. FG 10/2021-A

FERGUSON.COM/PROFLO

PFB14 / PFB16

Soaking Tubs 60" x 30"



Product Features

- Enameled steel bathtub
- 60" x 30" x 14-1/4"
- 60" x 30" x 16-5/8" AFR
- Full length tile flange
- PFB14 series has 40 degree lumbar support
- Standard and above floor rough-in
- High gloss, stain resistant porcelain finish
- Non-skid bottom surface
- Available in white, bone, and biscuit
- ADA compliant when installed according to ADA guidelines
- Weight: 78lbs

Available Colors

- White (WH)
- Bone (BO)
- Biscuit (BS)

Model Numbers

PFB14CR	60" x 30" x 14-1/4" bathtub RH non-skid
PFB14CL	60" x 30" x 14-1/4" bathtub LH non-skid
PFB16R	60" x 30" x 16-5/8" bathtub RH above floor RI
PFB16L	60" x 30" x 16-5/8" bathtub LH above floor RI

Warranty and Codes

These products come complete with installation, operating, care and maintenance instructions. All PROFLO fixtures carry a 1- year limited warranty. These products meet or exceed ASME/ANSI A112.19.4M.

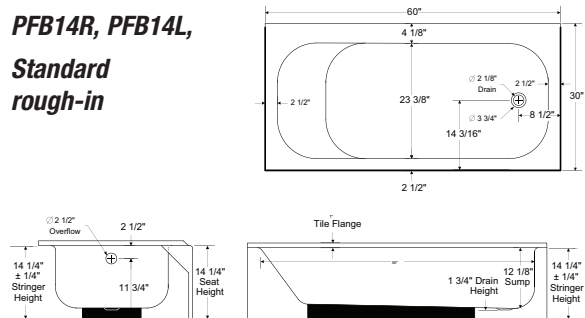
Distributed Exclusively by Ferguson and Wolseley Canada
© 2017 Ferguson Enterprises, Inc.



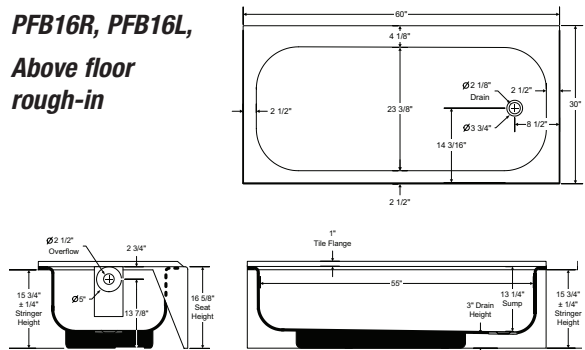
PFB16R

Product Specification

**PFB14R, PFB14L,
Standard
rough-in**



**PFB16R, PFB16L,
Above floor
rough-in**



0316 408132



**SIX3
TILE**

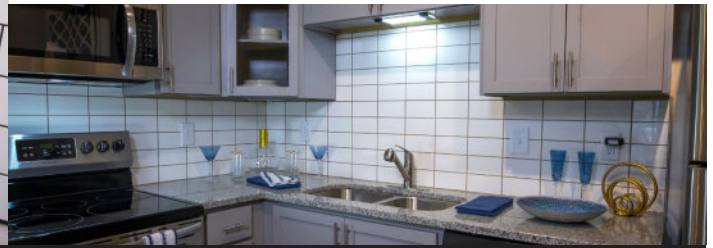


Six3 Tile® PRODUCT SPECIFICATIONS

Six3 Tile is an innovative, patented tile product that is a single, integrated system providing the classic look and feel of traditional ceramic tile without the need for costly specialized skills or tools.

Ideal for bathroom tub surrounds, showers, kitchen backsplashes and walls, these lightweight, flexible yet durable large format sheets install with a speed that is unmatched, resulting in a cost-efficient, professional look in about an hour.

Six3 Tile is also fully customizable to produce virtually any tile pattern and color - including complex designs and custom logos.



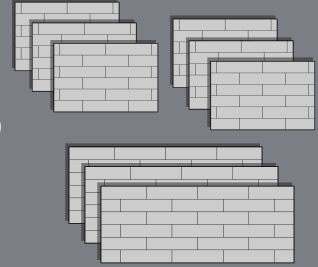
PLUMBING

PRODUCT SPECIFICATIONS

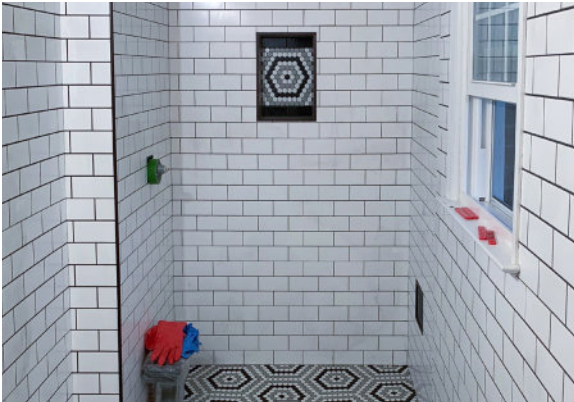


Standard Tub Surround Kit - 9 sheets

- Standard Install Kit consist of:
- Six (6) side pieces
 - 36" wide by 24" tall by 1/4" thick
 - Three (3) back pieces
 - 60" wide by 24" tall by 1/4" thick (2 pcs)
 - 60" wide by 24" tall by 1/4" thick (1 pc)
 - Total square feet: 64
 - Covers a 70" x 60" x 36" tub surround
 - Standard Color: Gloss White

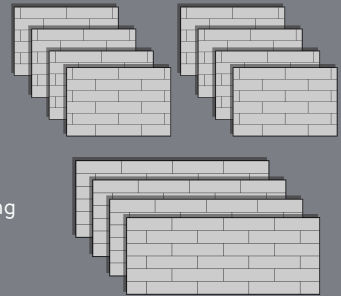


*Pictured: 4"x16" Subway - refer to SKUs for specific patterns

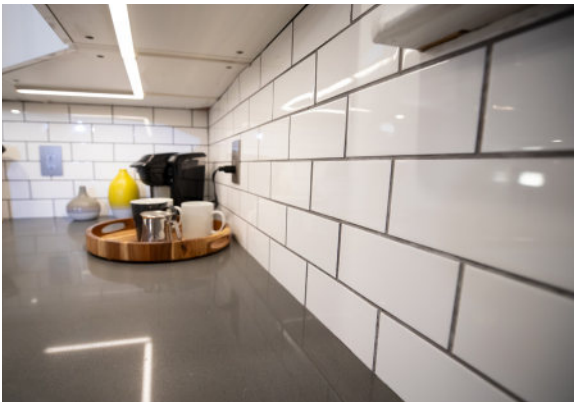


Standard Shower Kit - 12 sheets

- Standard Install Kit consist of:
- Eight (8) side pieces
 - 36" wide by 24" tall by 1/4" thick
 - Four (4) back pieces
 - 60" wide by 24" tall by 1/4" thick
 - Total square feet: 84
 - Covers a standard 36" x 60" x 8' ceiling
 - Standard Color: Gloss White



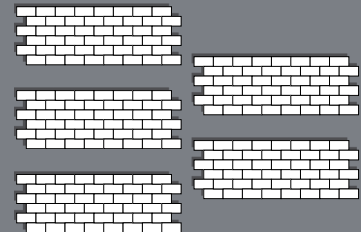
*Pictured: 4"x16" Subway - refer to SKUs for specific patterns



Standard Back Splash Kit- 5 sheets

- Example: 3"x6" Subway Pattern:
- Overall dimensions (each sheet):
 - 19" wide by 47" long by 1/4" thick
 - Square feet per board: 6
 - Total kit square feet: 30

- Standard Colors:
- White, Passive Gray and Software Gray
 - Custom colors available; minimum quantity required



*Pictured: 3"x6" Subway - refer to SKUs for specific patterns

COLORS



Standard colors are Gloss White (SW7757), Passive Gray (SW7064) and Software Gray (SW7074) in both gloss and matte finishes. We are a proud partner with Sherwin-Williams color products and reference their SW paint codes (SWxxxx) for our finishes. Over 1,500 color options are available (minimum quantity required). Visit www.sherwin-williams.com to view all available paint codes.

WARRANTY

One-Year Limited Warranty

See **Six3 Tile®** warranty information for more details.

PLUMBING

PERFORMANCE TESTS

Salt Spray Test, ASTM B117:	300 hours per the SW PDS for Polane 8910
Humidity, ASTM D2247,100°F, 100% RH:	1000 hours per the SW PDS for Polane 8910
Pencil Hardness, ASTM D3363:	2H
Chip resistance:	Excellent, 7A
Water Immersion: 96 hours:	No effect
Water spot test: 24 hours:	No effect
Chemical Resistance Test (24 hr covered spot test):	
Engine Oil:	No visual effect
Diesel Fuel:	No visual effect
Unleaded Gasoline:	No visual effect
Trisodium Phosphate:	No visual effect
Surface Burning Characteristics, ASTM E 84:	Flame Spread: 50 Smoke Developed: 950
National Fire Protection Association (NFPA) Fire Rating:	Class B
International Code Council (ICC) Fire Rating:	Class 2
Mold and mildew test, ASTM D3273:	Resistant
Water Absorption Coefficient and Resistance, ASTM D570:	Passed
Water Vapor Permeance, ASTM E96:	<0.5 perms



APPLICATION

VERTICAL, INDOOR APPLICATION ONLY! Approved for use as a stove backer near or behind a cooking range where the heat source is not closer than 6 inches. Not approved for flooring, load bearing or outdoor applications.

Interior Ceramic Tile Substitute complying with the following:

Type: Mold and mildew resistant polyvinyl chloride (PVC).

Thickness: nominal ¼ inch (6 mm).

Finished Coating: Polyurethane Enamel.

Board Size: various depending on application.

Meets IBC Section 307.2, Bathtub and shower spaces.

Meets HUD Code Section 3280.202 with subsection 3280.203 Flame spread limitations and fire protection requirements.

DELIVERY, STORAGE and HANDLING

Deliver and store products in manufacturer's unopened packaging bearing the brand name and manufacturer's identification until ready for installation.

Store materials on level supports off the ground to prevent sagging. Cover loosely with waterproof material to prevent condensation from forming while protecting against weather, direct sunlight, surface contamination, and construction traffic.

Handle materials to avoid damage to edges and surfaces.

INSTALLATION ACCESSORIES

Six3 Tile® can be installed using standard construction adhesives.

When using grout, as recommended, use only UNSANDED or NON-Sanded grout. Any other grout will likely dull the surface of the **Six3 Tile** product.

Do not use any reciprocating power tools such as jigsaws or sawzalls to cut the product to prevent rough edges along the cut line. If using power tools, use only oscillating or circular saws.

Reference the **Six3 Tile** installation instructions and recommended tools list for further details.

PLUMBING

PRODUCT SKUs

Kitchen Backsplash | 5 tile sheets per pack

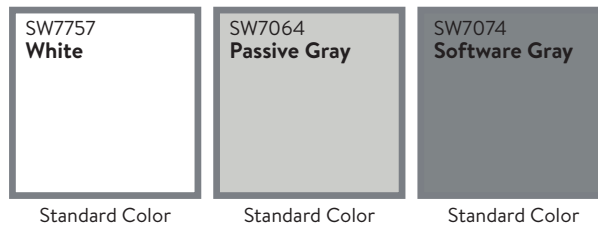
Style	Color	Sheet Size	SF/Pack	SKU
Subway (3"x6")	White (SW7757)	19"x47"	30.0	AP03-01-SS-01-5
Subway (3"x6")	Passive Gray (SW7064)	19"x47"	30.0	AP03-02-SS-01-5
Subway (3"x6")	Software Gray (SW7074)	19"x47"	30.0	AP03-08-SS-01-5
Subway (3"x6")	Grizzle Gray (SW7068)	19"x47"	30.0	AP03-09-SS-01-5
Herringbone (3"x6")	Snowbound (SW7004)	19"x47"	30.0	AP03-14-HB-01-5
Hexagonal (2"x2")	Snowbound (SW7004)	19"x47"	30.0	AP03-14-HX-04-5
Subway (3"x6")	Black Emerald (SW2936)	19"x47"	30.0	AP03-03-SS-01-5
Subway (3"x6")	Matte Passive Gray (SW7064)	19"x47"	30.0	AP03-02M-SS-01-5

Tub Surround | 9 tile sheets per pack | 3 rows

Style	Color	Size (side x back walls)	SF/Pack	SKU
Subway (4"x16")	White (SW7757)	2 ea 30"x70" & 1 ea 60"x70"	64.0	ATSP-30-70-01-SS-08-9
Subway (3"x6")	White (SW7757)	2 ea 36"x70" & 1 ea 60"x70"	64.0	ATSP-36-70-01-SS-01-9
Subway (4"x16")	White (SW7757)	2 ea 36"x70" & 1 ea 60"x70"	64.0	ATSP-36-70-01-SS-08-9

Shower | 12 tile sheets per pack | 4 rows | 8-foot ceiling

Style	Color	Size (side x back walls)	SF/Pack	SKU
Subway (4"x16")	White (SW7757)	2 ea 36"x94" & 1 ea 60"x94"	84.0	ATSP-36-94-01-SS-08-12



To view the complete line of Sherwin-Williams colors available, visit www.sherwin-williams.com/visualizer.



an **aleris** company

www.SIX3TILE.com

119 Grace Avenue | Lancaster, South Carolina 29720



PROUDLY MADE IN THE USA

Six3Tile® is sourced, designed and manufactured in our South Carolina facility.

S3T_SpecSheet_03102022_v18
All Rights Reserved, Aleris LLC

PLUMBING

MP6036NS 60 x 36 AcryIX One-Piece Alcove Shower

Model number:

MP6036N/S-WH

Dimensions: 60" x 36" x 78"

Installation: Alcove

Material: AcryIX™



Standard Features:

- List price reflects base model ONLY, configured product shown for illustrative purposes only. Consult Clarion for accessorized pricing.
- Slip resistant floor
- Dome available model #IN60C
- Center drain

Product characteristics:

- Available in Multiple Finishes
- One-Piece Unit
- Made in North America

Standard Colors:



Biscuit



Bone



White

Certifications

CLARION products adhere to one or more of the following certifications:



The Clarion logo, featuring the brand name in a blue, cursive script font.

PLUMBING

MP6036NS 60 x 36 AcrylX One-Piece Alcove Shower

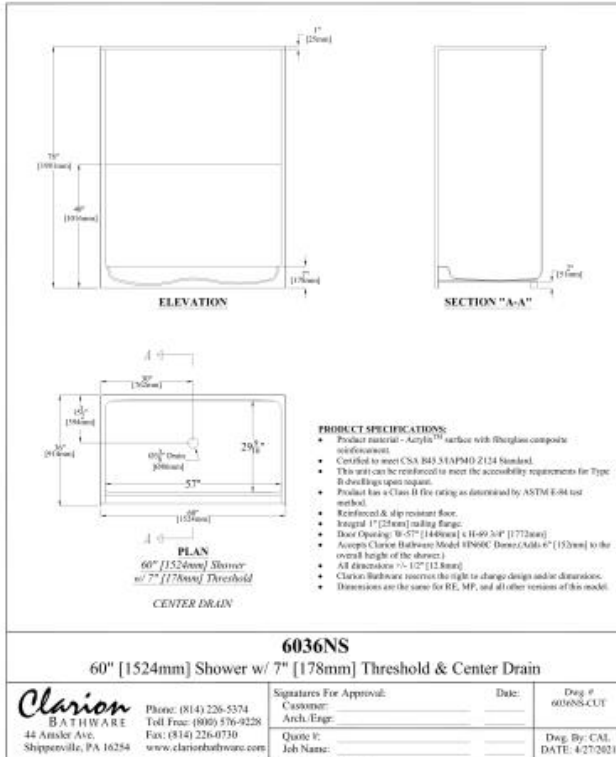
Model number:

MP6036N/S-WH

Dimensions: 60" x 36" x 78"

Installation: Alcove

Material: AcrylX™



Dimensions
 60 x 36 x 78 In.
 (1524 x 914 x 1981 mm)

Shape
 Rectangular

Pieces
 1

Drain location:
 Center

*** IMPORTANT NOTICE ***
 Clarion Bathtubs reserves the right to change the design and/or dimensions of its products at any time. This drawing may have been updated since this publication was issued. Before placing an order for any product, refer to our website at www.clarionbathtubs.com to obtain the most current drawings for any products that you wish to purchase. Compare the date of revision of the drawing that you have with the one on the drawing to our website. If you do not have internet access, please call your sales representative or Clarion Bathtubs's sales department at 800-576-9228.

Project: _____

Contractor: _____

Representative: _____

Date: _____

Tel: _____

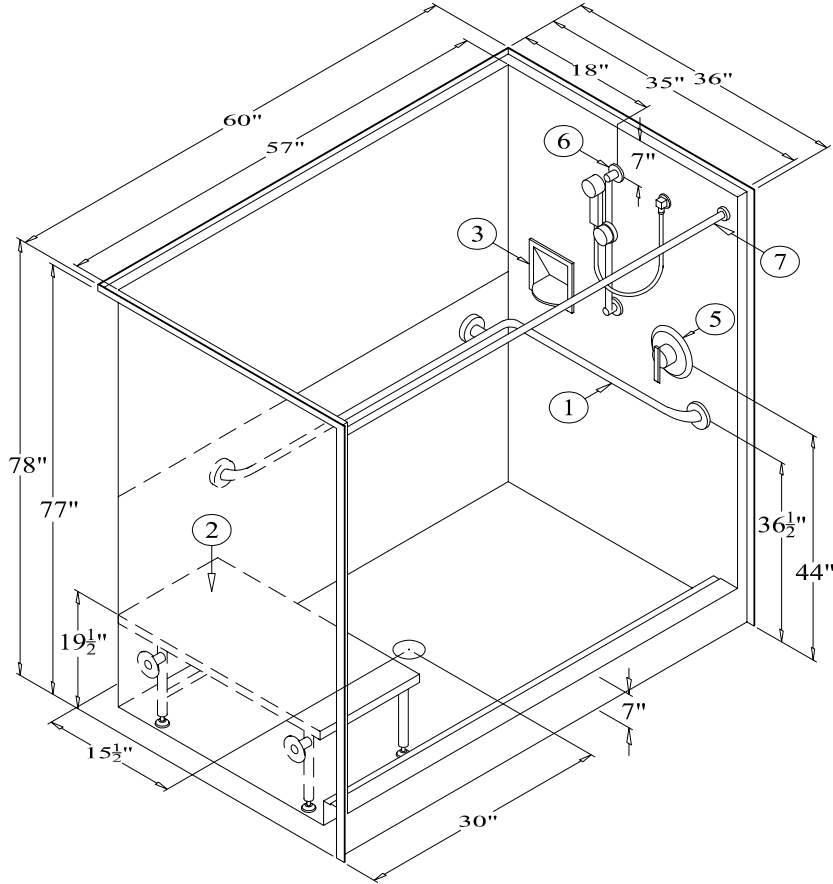
Notes: _____



Clarion
BATHWARE

INDEPENDENCE LINE®

Right Hand Version (MP6036RNS) Shown



MP6036LNS or MP6036RNS

60" [1524mm] Shower w/ 7" [178mm] Threshold & Center Drain

RECOMMENDED ACCESSORIES

- | | |
|--------------------------------|-----------------------------|
| 1. #504426TS GRAB BAR | 5. #CH-SSMV-1MIXING VALVE |
| 2. #400-26.5"-SDL FOLDING SEAT | 6. #HHS-30CE HAND HELD SHWR |
| 3. #660 SOAP DISH | 7. #CR-56 1/4 CURTAIN ROD |
| 4. BRASS DRAIN (Not Shown) | 8. CURTAIN (Not Shown) |

Also accepts Clarion Bathware IN60C cap which adds 6" to the overall height.

 44 Amsler Ave. Shippenville, PA 16254	Phone: (814) 226-5374 Toll Free: (800) 576-9228 Fax: (814) 226-0730 www.clarionbathware.com	Signatures For Approval: _____ Date: _____ Customer: _____ Arch./Engr: _____	Dwg. # MP6036LNS or RNS-ISO
		Quote #: _____ Job Name: _____	Dwg. By: NMH DATE: 12/9/2019

*** IMPORTANT NOTICE ***

Clarion Bathware reserves the right to change the design and/or dimensions of its products at any time. This drawing may have been updated since this publication was issued. Before placing an order for any product, refer to our website at www.clarionbathware.com to obtain the most current drawings for any products that you wish to purchase. Compare the date of revision of the drawing that you have with the one on the drawing on our website. If you do not have internet access, please call your sales representative or Clarion Bathware's sales department at 1-800-576-9228.

PLUMBING

Veritek™ Pro

VP6030CT

60 x 30 x 15



VERITEK PRO

Lightweight and durable, Veritek Pro is produced with Swan Solid Surface, a proprietary SMC compound.

Veritek Pro is the better bathroom solution and is a snap to install!

Available in the Following Offerings:

Depth	Width	Height Standard	Height AFR	Model Number	
				Standard	AFR
30	60	15	18	VP6030CT	VP6030CTM

- **Standard:** Base model shower, tub, or tub shower offering
- **Above Floor Rough (AFR):** Clearance for drain placement, eliminating the need for drain relocation

INCHES

PROFESSIONAL

FEATURES

- Pre-Leveled base
- Slip resistant, textured bottom
- Available in White only
- Left, right drain
- Modern, matte finish
- 15-year residential limited warranty

OPTIONS

- Coordinating wall sets available

PACKAGED DIMENSIONS

- 62 1/2 x 34 x 17 3/4

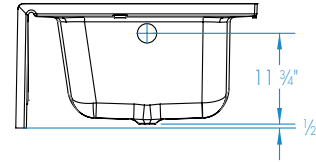
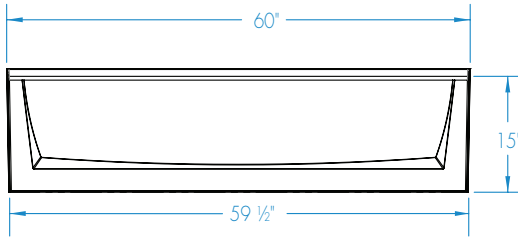
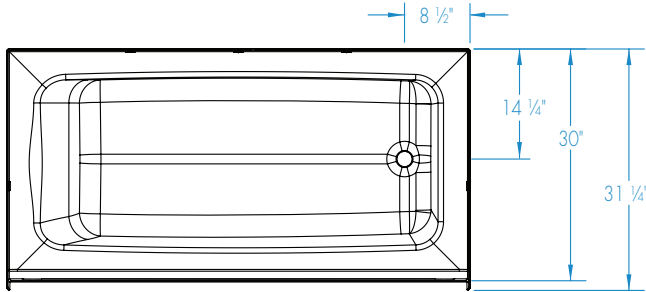




PROFESSIONAL

VP6030CT

60 x 30 x 15 inches



FEATURES Dimensional Tolerance $\pm 3/8"$. Dimensions needed for site preparation should be measured from the unit. Manufacturer assumes no responsibility for preparatory work.

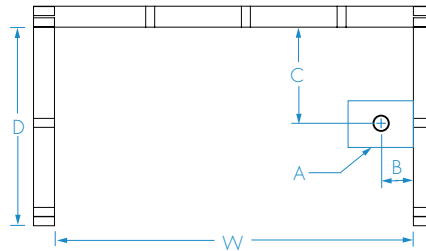
Type	Model #	Material	Height	Drain	Net Wt. lbs	Pkg. Wt. lbs
Standard Soaker	VP6030CTL/R	Swan Solid Surface	15	LH or RH	54	59

DIMENSIONS

Specifications	inches
Width: Overall / Net	60
Depth: Overall / Net	31 1/4 / 30
Height: Overall / Net	16 1/2 / 15
Enclosure Opening	-
Skirt Height	15
Drain Rough-In (from Back Wall)	14 1/4
Drain Rough-In (from Side Wall)	2 7/8
Drain: Diameter / Clearance	2 / 1/2

FRAMING DIMENSIONS inches

Type	D Depth	W Width	H Height	A	B	C
Alcove	31 1/4	60	16	Box Out	2 7/8	14 1/4



SUMP DATA

Top of Drain to Bottom of Overflow	Capacity to Overflow gal	Min. Operating Capacity gal	WIDTH @ centerline		DEPTH @ centerline	
			Top	Bottom	Top	Bottom
9 7/8	37	-	51 1/2	45 1/2	22 1/4	20 1/2

Rev. 03.16.22



Veritek™ Pro

VP6030CTS

60 x 30 x 76



VERITEK PRO

Lightweight and durable, Veritek Pro is produced with Swan Solid Surface, a proprietary SMC compound.

Veritek Pro is the better bathroom solution and is a snap to install!

Available in the Following Offerings:

Depth	Width	Height Standard	Height AFR	Model Number			
				Standard	AIP	AFR	AIP & AFR
30	60	76	79	VP6030CTSL/R	VP6030CTSAL/R	VP6030CTSML/R	VP6030CTSMAL/R

- **Standard:** Base model shower, tub, or tub shower offering
- **Aging In Place (AIP):** Reinforced shower or tub shower walls that allows for future grab bar installation
- **Above Floor Rough (AFR):** Clearance for drain placement, eliminating the need for drain relocation
- **Aging In Place (AIP) & Above Floor Rough (AFR):** A combination kit for AFR & AIP

INCHES

PROFESSIONAL

FEATURES

- Modern, matte finish
- Smooth, 4-piece kit
- Easy Wedge & Lock installation
- Caulkless installation
- Integral soap shelves
- Available in White only
- 15 Year residential limited warranty

COMPONENTS OF KIT

Standard

- VP6030CTL (Tub) or VP6030CTR (Tub)
- VP6062CBW (Back Wall)
- VP2462CSW (Side Walls)

Aging In Place (AIP)

- VP6030CTL (Tub) or VP6030CTR (Tub)
- VP6062CBWA (Back Wall)
- VP2462CSWA (Side Walls)

PACKAGED DIMENSIONS

- Tub: 62 1/2 x 34 x 17 3/4
- Back Wall: 65 x 61 1/2 x 8 1/2
- Side Wall Set: 64 x 26 1/2 x 5 1/4

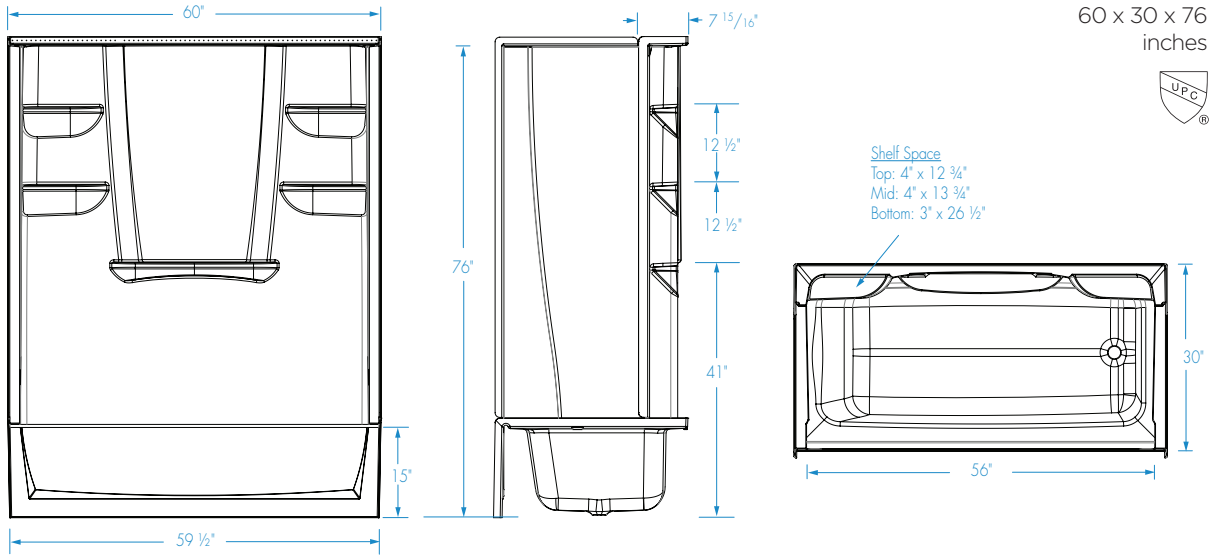




PROFESSIONAL

VP6030CTS

60 x 30 x 76 inches



FEATURES Dimensional Tolerance $\pm 3/16"$. Dimensions needed for site preparation should be measured from the unit. Manufacturer assumes no responsibility for preparatory work.

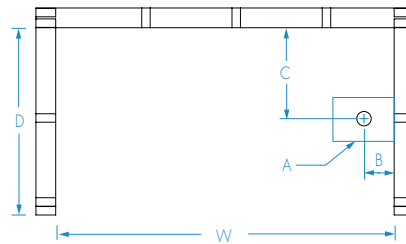
Type	Model #	Material	Height	Drain	Net Wt. lbs	Pkg. Wt. lbs
Standard Tub-Shower	VP6030CTSL/R	Swan Solid Surface	76	LH or RH	130	145
AIP Tub-Shower	VP6030CTSAL/R	Swan Solid Surface	76	LH or RH	160	175

DIMENSIONS

Specifications	inches
Width: Overall / Net	60
Depth: Overall / Net	31 1/4 / 30
Height: Overall / Net	77 3/8 / 76
Enclosure Opening	56
Skirt Height	15
Drain Rough-In (from Back Wall)	14 1/4
Drain Rough-In (from Side Wall)	2 7/8
Drain: Diameter / Clearance	2 / 1/2

FRAMING DIMENSIONS inches

Type	D Depth	W Width	H Height	A	B	C
Alcove	31 1/4	60	77 3/8	Box Out	2 7/8	14 1/4



SUMP DATA

Top of Drain to Bottom of Overflow	Capacity to Overflow gal	WIDTH @ centerline		DEPTH @ centerline	
		Top	Bottom	Top	Bottom
9 7/8	37	51 1/2	45 1/2	22 1/4	20 1/2

Rev. 03.07.22



PLUMBING

2603SMT 60 x 32 AcrylX Alcove One-Piece Tub Shower

Model number:

2603SMTL-WH

Dimensions: 60" x 32" x 76"

Installation: Alcove

Material: AcrylX™



Standard Features:

- 1-Piece tub shower
- Classic smooth wall finish is easy to maintain
- Ergonomic backrest for bathing comfort
- Left or right hand drain
- Slip resistant, textured floor for safety

Product characteristics:

- Smooth Walls
- Easy to Clean
- Comfortable backrest

Standard Colors:



Biscuit



Bone



White

Certifications

AQUATIC products adhere to one or more of the following certifications:



Recommended products (Visit our website for a complete list of our recommended products)

No	Description
<input type="checkbox"/> 134561	Kameleon 55-59 x 57 in. 6 mm Sliding Tub Door for Alcove Installation
<input type="checkbox"/> 135330	Incognito 57 Shaker 56-59 x 56 ¾ in. 8mm Sliding Tub Door for Alcove Installation
<input type="checkbox"/> 836100	Oxford 54-59 ½ x 57 in. Sliding Tub Door for Alcove Installation



PLUMBING

2603SMT 60 x 32 AcrylX Alcove One-Piece Tub Shower

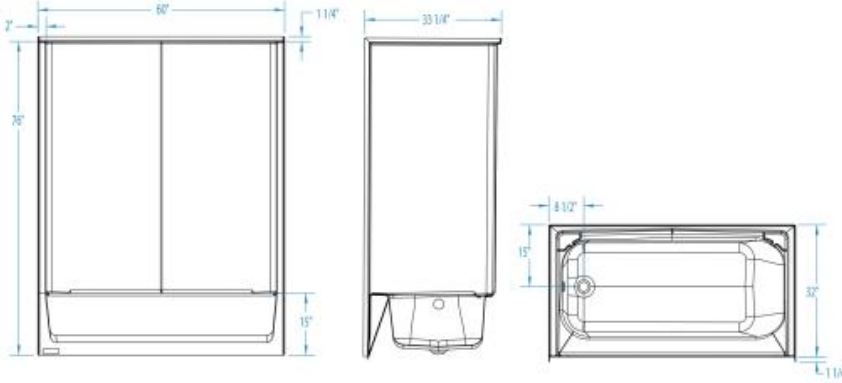
Model number:

2603SMTL-WH

Dimensions: 60" x 32" x 76"

Installation: Alcove

Material: AcrylX™



Dimensions

60 x 32 x 76 In.
(1524 x 813 x 1930 mm)

Water Capacity

38 gallons

Weight

138 lbs - 62 1/2 kg

Deep Sump Height

12 In. - 305 mm

Drain location:

Left

Right

Project: _____

Contractor: _____

Representative: _____

Date: _____

Tel: _____

Notes: _____



BATH ACCESSORIES



RANGAIRE R260P26CH
26 CP FRM CAB W/ MIR
*Recessed Mount



RANGAIRE R614
MLD MEDICINE CAB
*Surface Mount



RANGAIRE R615
POLYSTYRENE MED CAB WHIT



RANGAIRE RWM2436BVP5
24X36 BEV EDGE MIR
*Sizes to be Confirmed



BRADLEY B740018300
18X30 FIXED TILT MIR SSST



BOBRICK BB4112
SURF MNT SOAP DISPNS SS

BATH ACCESSORIES



PROFLO PF6770ZBN
*TRN 24 TWL BAR BN 6700 SER



PROFLO PF6751ZBN
*TRN TWL RNG BN 6700 SER



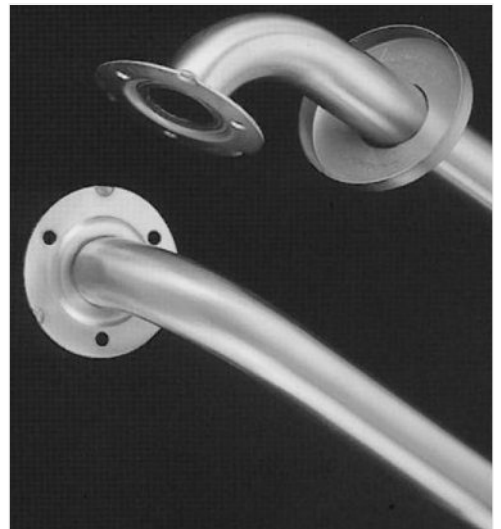
PROFLO PF6731ZBN
*TRN PAPER HLDR BN 6700 SER



PROFLO PF6741ZBN
*TRN ROBE HOOK BN 6700 SER

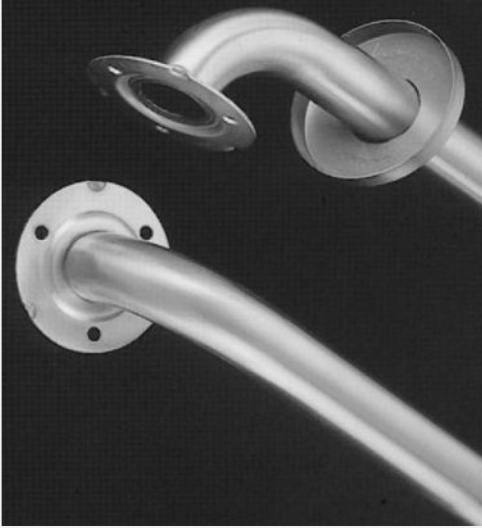


DESIGNHOUS D564229
60 SHWR ROD SET SN

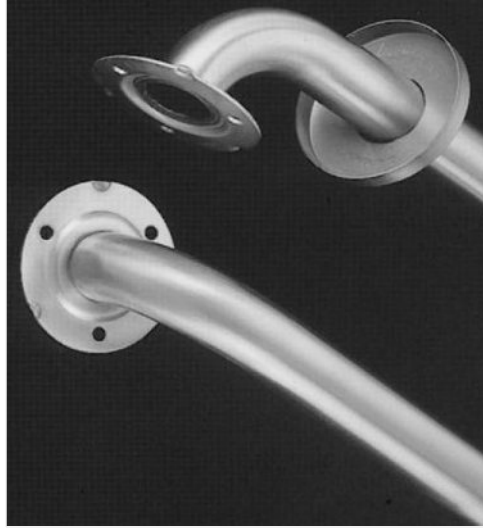


PROFLO PFGB18SF2
1-1/2X18 G/BAR CONC SCRW SC

BATH ACCESSORIES



PROFLO PFGB30SF2
1-1/2X30 G/BAR CONC SCRW SATI



PROFLO PFGB36SF2
1-1/2X36 G/BAR CONC SCRW SC SATI



PROFLO PFGB42SF2
1-1/2X42 SS G/BAR CONC SCRW SC SATI



FOCUSPROD FHBH43MYS01
71X74 SHWR CURTAIN WHIT 12/CA
*Hookless w/Weighted Corner Magnets

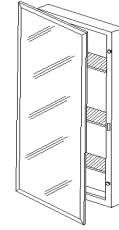
BATH ACCESSORIES



SPECIFICATION SHEET

260P26CH

Topsider MEDICINE CABINET

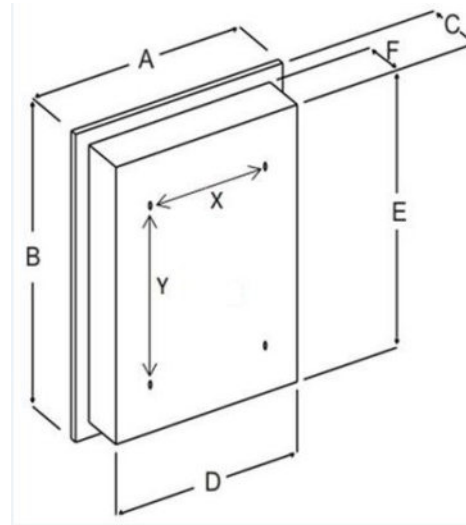


FEATURES/TYPICAL SPECIFICATIONS

- Surface Mount Installation
 - Pre-drilled mounting holes spacing: x = 8.875" center-to-center and y = 12.375" center-to-center
- Formed and welded steel housing (WB/ST)
 - 24 gauge steel construction with white, heat cured, acrylic paint finish
- Framed mirror door
 - 2MM thick float glass mirror door front
 - Polished stainless steel frame (SS8)
 - 30 gauge steel door back with white, heat cured, acrylic paint finish
- 16" piano hinge welded to the door and mechanically fastened to the cabinet body (HG01) (1 typical)
- Magnetic catch in cabinet body flange aligns to stainless steel striker plate on the door (1 typical)
- Reversible for left-hand or right-hand door swing
- 26 gauge galvanized steel shelves with white, heat cured, enamel paint finish (3 typical)
 - Adjustable shelves (ADJ)
- Includes installation hardware
- Pallet Quantity = 42 units

Finishes:

- Housing: PT01-Basic White
- Mirror: Flat Mirror
- Frame: SS8-Polished Stainless Steel



		Dimensions In Inches					
Model #	Description	A	B	C	D	E	F
260P26CH	MEDCAB 1DR 16X26 SS8 WB/ST	16.125	26.125	4.842	15.500	25.500	4.342

REFERENCE	QTY.	REMARKS	Project
			Location
			Architect
			Engineer
			Contractor
			Submitted by Date

* All models and material specifications are subject to change or withdrawal without notice.

S260P26CH_B00

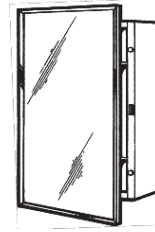
Rangaire Manufacturing Company, LP * 501 S. Wilhite Street, Cleburne, TX 76031
(1-800-325-8351) * www.rangairemfg.com

BATH ACCESSORIES



SPECIFICATION SHEET

Styleline MEDICINE CABINET

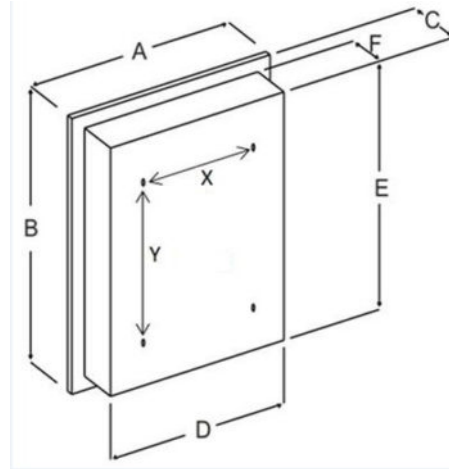


FEATURES/TYPICAL SPECIFICATIONS

- Surface Mount Installation
 - Pre-drilled mounting holes spacing: y = 12.500" center-to-center and x = 9.500" center-to-center
- Molded White Plastic Housing – Polystyrene (PC)
- Framed mirror door
 - Polished Stainless Steel frame (SS8)
 - 2MM thick float glass mirror door front
 - Fiberboard with white paper laminate door back
- 16" piano hinge riveted to the door and mechanically fastened to the cabinet body (HG01) (1 typical)
- Magnetic catch in cabinet body flange aligns to stainless steel striker plate on the door (1 typical)
- Reversible for left-hand or right-hand door swing
- Fixed plastic shelves molded into cabinet housing (FX) (2 typical)
- Mounting hardware included
- Pallet quantity = 36 units

Finishes:

- Housing: PT01—Basic white
- Mirror: Flat Mirror
- Frame: SS8—Polished Stainless Steel



Model #	Description	Dimensions In Inches					
		A	B	C	D	E	F
614	MEDCAB 1DR 16X22 SS8 PC	16 1/4	22 1/4	4 1/4	15 1/4	19 1/4	3 1/4

REFERENCE	QTY.	REMARKS	Project
			Location
			Architect
			Engineer
			Contractor
			Submitted by Date

* All models and material specifications are subject to change or withdrawal without notice.

S614_C

Rangaire Manufacturing Company, LP * 501 S. Wilhite Street, Cleburne, TX 76031
(1-800-325-8351) * www.rangairemfg.com



Jensen

Louver Door Polystyrene Medicine Cabinet in White

Part #R615 Manufacturer Part #615



Product Details

- 16" W x 24" H
- Wall opening: 14" W x 18" H x 2 1/2"
- D Recessed frame
- White grained wood look
- White polystyrene cabinet
- Two fixed shelves
- Magnetic door catch

Feedback

BATH ACCESSORIES

Specifications

Collection: Louver Door

Depth: 2-1/2 in

Length: 16-1/4 in

Width: 16 in

Color Finish: White

Height: 24 in

Material: Plastic

Color Finish Category: Whites

Installation Type: Recessed Mount

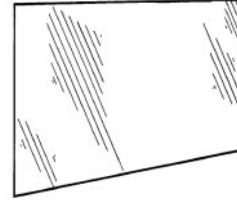
Material Type: Polystyrene

BATH ACCESSORIES



SPECIFICATION SHEET

WM2436BVBP5 Wall Mirror

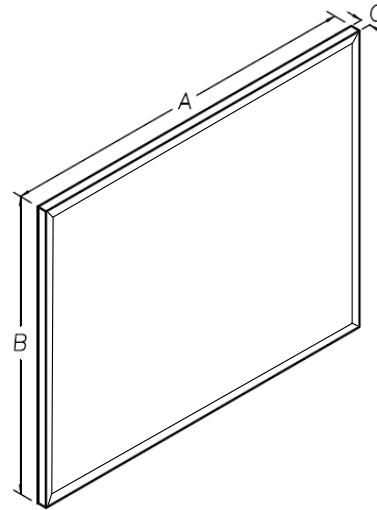


FEATURES/TYPICAL SPECIFICATIONS

- Surface Mount Installation
- 5/32" thick float glass mirror with 1/2" beveled edge, 4 sides
- Silver mirror with IR cured, protective paint backing
- Overall Weight: 12 lbs
- Manufactured in accordance with ASTM C 1036 and C 1503
- Point of Origin: USA
- Individually packaged
- Shipped as part of a 5 mirror bulk pack
- Mounting hardware available for purchase separately

Finishes:

Housing: N/A
 Mirror: 1/2" Bevel
 Frame: Frameless



		Dimensions In Inches		
Model #	Description	A	B	C
WM2436BVBP5	24 X 36 1/2BV MIRROR MASTER PACK 5	35.938	23.938	0.156

REFERENCE	QTY.	REMARKS	Project
			Location
			Architect
			Engineer
			Contractor
			Submitted by Date

* All models and material specifications are subject to change or withdrawal without notice.

SWM2436BVBP5_A00

Rangaire Manufacturing Company, LP * 501 S. Wilhite Street, Cleburne, TX 76031
 (1-800-325-8351) * www.rangairemfg.com



Fix tilt mirror with welded corners:

- Standard Model 740-1830 (18" x 30") **Bradex**[®]
- Standard Model 740-1836 (18" x 36") **Bradex**[®]
- Standard Model 740-2436 (24" x 36") **Bradex**[®]
- Model 740-XXXX (Specify width and height)

Product Materials

FRAME: 20 gauge stainless steel, corners welded and ground smooth to satin finish. 20 gauge angle stiffeners welded to frame provide additional rigidity.

BACK: galvanized steel, secured to frame with concealed screws equipped with integral horizontal hanging brackets.

MIRROR: first quality 1/4" float glass, thermosetting infrared-cured paint backing with Poly-Glaze protective finish. Manufactured in accordance with ASTM C 1036 and ASTM C 1503. The back of the mirror is protected by a wedge of extruded polystyrene, which is placed between the mirror and the galvanized steel.

WALL HANGER: 18 gauge cold-rolled steel, all welded construction to form rigid template.

Optional Features

Features	Suffix
<input type="checkbox"/> 1/4" tempered glass mirror in lieu of polished float glass mirror*	-2
<input type="checkbox"/> Laminate glass	-3
<input type="checkbox"/> Highly polished No. 8 architectural finish, 20 gauge stainless steel in lieu of polished float glass mirror	-4
<input type="checkbox"/> Bright annealed 20 gauge stainless steel in lieu of polished float glass mirror	-5
<input type="checkbox"/> Plexiglas [®]	-6

*Either the Length (L) or the Width (W) must be greater than 25".

- An inherent characteristic of a manufacturing process for tempered glass is distortion which may vary from mirror to mirror.
- Stainless steel mirrors will differ in optic quality from glass mirrors.
- In larger sizes, stainless mirrors are subject to distortion and/or "oil canning" for which Bradley Corporation cannot accept responsibility.
- Bradley mirrors are not field interchangeable from horizontal to vertical or vice versa. **Always specify width first.**

Installation

Verify all rough-in dimensions prior to installation. Secure concealed mounting bracket to wall with screws (not included) at holes provided. Provide in-wall backing at mounting screw locations. Position mirror over mounting bracket to engage hanger tabs. Slide mirror down and lock into position.

Orders composed of products indicated as **Bradex**[®] will be available to ship in three days after receipt of order at the factory. There is no pricing penalty for this service from Bradley.

Page 1 of 2
 This information is subject to change without notice.
 Bradley_Mirror_740

12/19/2012



Guide Specification

Fixed tilt mirror shall be framed with 20 gauge stainless steel with 20 gauge concealed stiffeners. Welded corners shall be polished to a uniform satin finish. Mirror shall be of first quality 1/4" float glass guaranteed for 15 years against silver spoilage and protected by a shock-absorbing, waterproof foam filler with Poly-Glaze protective finish. Back of unit shall be galvanized steel secured to frame with concealed screws, equipped with integral horizontal hanging brackets and separate wall hanger for concealed mounting.

Fixed Tilt Framed Mirror shall be Bradley Model 740-_____ " W x _____ " H (specify width and height).

ADA Compliant

- Consult local and national accessibility codes for proper installation guidelines.
- Conformity and compliance to local and national codes is the responsibility of the installer.

© 2014 Bradley
 P.O. Box 309, Menomonee Falls, WI 53052-0309
 800 BRADLEY (800 272 3539) +1 262 251 6000
 bradleycorp.com

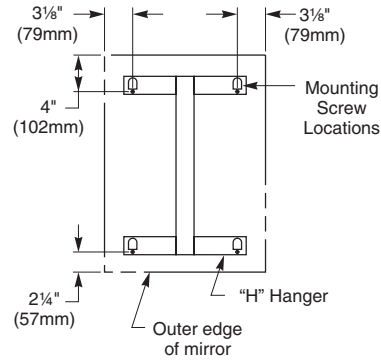
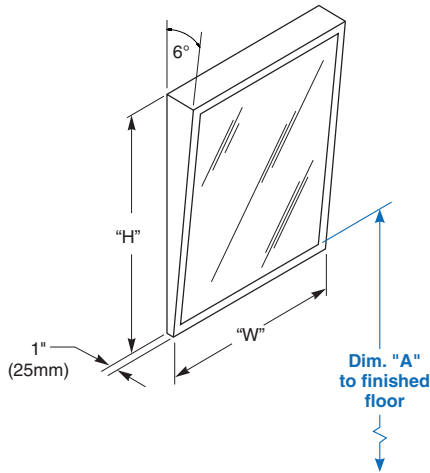
BATH ACCESSORIES



740

Fixed Tilt Mirror

Dimensions



Bradex® Models

Width (Inches) W	Height (Inches) H	Overall Dimension (Inches)	Overall Dimensions (Millimeters)	Standard Model Number
18"	30"	18 x 30	457 x 762	740-1830
18"	36"	18 x 36	457 x 914	740-1836
24"	36"	24 x 36	610 x 914	740-2436

Model 740 series angle framed mirrors can be fabricated to a maximum size of 48"W x 48"H.

Dim. "A" Key Surface:	For Dim. "A"	Bottom of Unit
Mirror's bottom edge of the reflecting surface to finished floor	40" (1016mm)	39 1/4" (997mm)
	37" (940mm)	36 1/4" (921mm)
	34" (864mm)	33 1/4" (845mm)
Rough wall opening:		
Surface Mount:	No rough wall opening, see overall dimensions	

Orders composed of products indicated as **Bradex®** will be available to ship in three days after receipt of order at the factory. There is no pricing penalty for this service from Bradley.

Page 2 of 2
 This information is subject to change without notice.
 Bradley_Mirror_740

12/19/2012

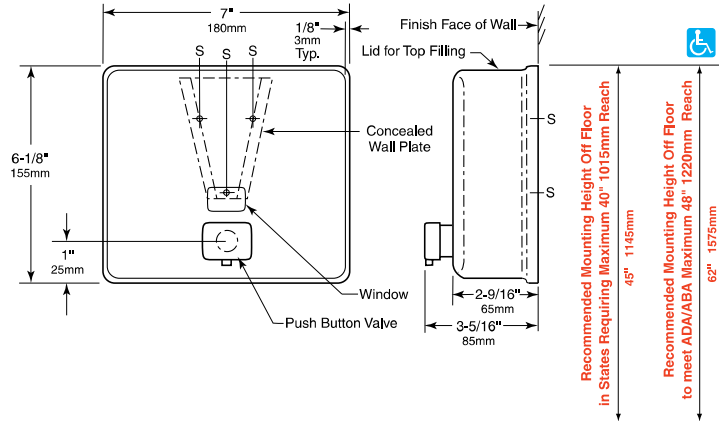
© 2014 Bradley
 P.O. Box 309, Menomonee Falls, WI 53052-0309
 800 BRADLEY (800 272 3539) +1 262 251 6000
 bradleycorp.com

BATH ACCESSORIES



ConturaSeries® SURFACE-MOUNTED SOAP DISPENSER

B-4112



MATERIALS:

Container — Body is 18-8, Type-304, 20-gauge (1.0mm) stainless steel with satin-finish. Drawn, one-piece, seamless construction. Front has same degree of arc as other Bobrick ConturaSeries washroom accessories. Radius on corners and edges complement other ConturaSeries accessories. Back plate is 22-gauge (0.8mm) stainless steel with 20-gauge (1.0mm) stainless steel mounting bracket attached. Container body and back plate are epoxy-sealed to prevent warping and leakage. Concealed wall plate is 20-gauge (1.0mm) stainless steel. Equipped with a plastic soap refill-indicator window and a locked, hinged stainless steel lid for top filling. Capacity: 40-fl oz (1.2-L).

Valve — Black molded plastic push button. Soap head-holding mushroom valve. Stainless steel spring. U-packing seal and duckbill. Antibacterial-soap-resistant plastic cylinder.

OPERATION:

Corrosion-resistant valve dispenses commercially marketed all-purpose hand soaps. To prevent corrosion, use only chloride-free pH-neutral liquid soaps, non-iodine based soaps and do not use alcohol based sanitisers. Valve operates with one hand, without tight grasping, pinching, or twisting of the wrist, and with less than 5 pounds of force (22.2 N) to comply with accessible design guidelines (including ADAAG in U.S.A.). Window indicates when refill is required. The locked, hinged lid opens for top filling with special key provided. Concealed, vandal-resistant mounting.

INSTALLATION:

Secure wall plate to the wall with screws furnished at points indicated by an S. Slide mounting bracket of container down onto wall plate and secure unit with furnished locking-screw. For plaster or dry wall construction, provide concealed backing to comply with local building codes, then secure unit with screws furnished. For other wall surfaces, provide fiber plugs or expansion shields for use with screws furnished, or provide 1/8" (3mm) toggle bolts or expansion bolts.

Note: Surface-mount the dispenser plumb and true with valve 6" (152mm) to right or left of lavatory center. Provide 4" (102mm) minimum clearance from the lid to the underside of any horizontal projection. Push buttons should be located 44" (1120mm) maximum above the finish floor. Where a high reach is over an obstruction (countertop), the high forward reach shall be 48" (1220mm) maximum where the reach depth is 20" (510mm) maximum. Where the reach depth exceeds 20" (510mm) the high forward reach shall be 44" (1120mm) maximum and the reach depth shall be 25" (635mm) maximum.

SPECIFICATION:

Surface-mounted soap dispenser shall be Type-304 stainless steel with satin-finish. Corrosion-resistant valve shall dispense commercially marketed all-purpose hand soaps. To prevent corrosion, use only chloride-free pH-neutral liquid soaps. Valve shall be operable with one hand and with less than 5 pounds of force (22.2 N) to comply with accessible design guidelines (including ADAAG in U.S.A.). Front of soap dispenser shall have same degree of arc and match other Bobrick ConturaSeries accessories in the washroom. Radius on corners and edges of soap dispenser shall complement other Bobrick ConturaSeries washroom accessories. Container body and back plate shall be epoxy-sealed to prevent warping and leakage. Soap dispenser shall have concealed, vandal-resistant mounting. Locked, hinged stainless steel lid for top filling shall require special key to open. Capacity shall be 40-fl oz (1.2-L).

Surface-Mounted Stainless Steel Soap Dispenser shall be Model B-4112 of Bobrick Washroom Equipment, Inc., Clifton Park, New York; Jackson, Tennessee; Los Angeles, California; Bobrick Washroom Equipment Company, Scarborough, Ontario; Bobrick Washroom Equipment Pty. Ltd., Australia; and Bobrick Washroom Equipment Limited, United Kingdom.

The illustrations and descriptions herein are applicable to production as of the date of this Technical Data Sheet. The manufacturer reserves the right to, and does from time to time, make changes and improvements in designs and dimensions.

Revised 1/22/18 Printed in U.S.A.
© 2018 by Bobrick Washroom Equipment, Inc.

BATH ACCESSORIES

PRODUCT SPECIFICATIONS

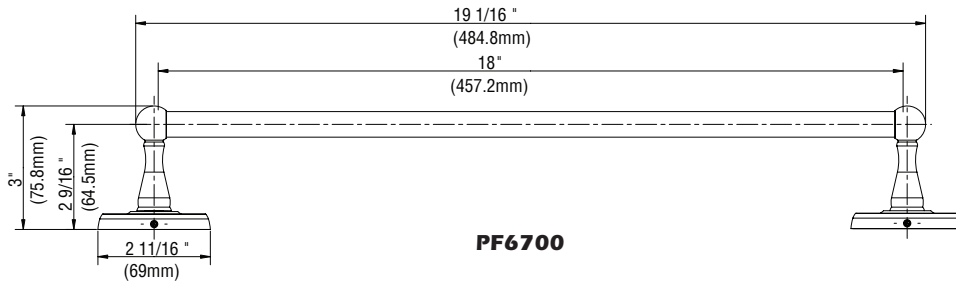
67 SERIES BATH ACCESSORIES



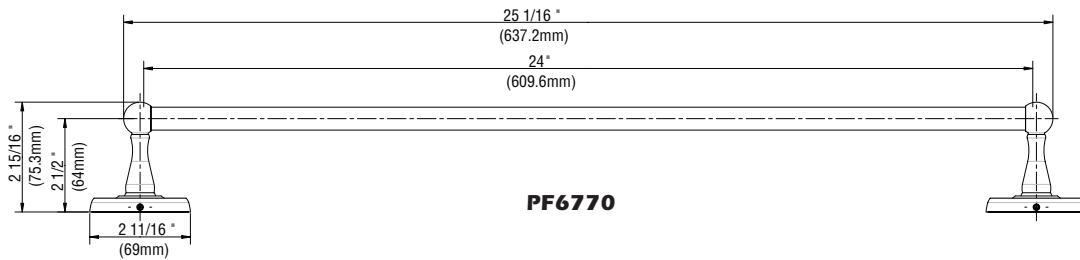
PF6700CP, PF6770CP

PRODUCT FEATURES

- Metal pipes
- Zinc die-cast posts
- Available accessories below:
 - 18" regular towel bar - PF6700
 - 24" regular towel bar - PF6770
- **PF6700CP, PF6770CP** - polished chrome
- **PF6700BN, PF6770BN** - brushed nickel
- **PF6700RB, PF6770RB** - oil rubbed bronze



PF6700



PF6770

WARRANTY AND CODES

Please call (888) 328-2383 for parts, service, and warranty. This product comes complete with installation, operating, care and maintenance instructions. All PROFLO faucets carry a limited warranty. This product meets ANSI: A112.18.1M.

BATH ACCESSORIES

Specifications

**PF6700 PF6770 PF6731 PF6741
PF6751
Bath Accessories**



Product Features

- Zinc alloy die-cast posts
- Metal bars and rings
- Mounting hardware included



PF6700CP PF6770CP
PF6731CP PF6741CP PF6751CP

18" Towel Bar

PF6700CP Chrome
PF6700ZBN PVD Brushed nickel

24" Towel Bar

PF6770CP Chrome
PF6770ZBN PVD Brushed nickel

Paper Holder

PF6731CP Chrome
PF6731ZBN PVD Brushed nickel

Robe Hook

PF6741CP Chrome
PF6741ZBN PVD Brushed nickel

Towel Ring

PF6751CP Chrome
PF6751ZBN PVD Brushed nickel

Warranty and Codes

This product comes complete with installation, operating, care and maintenance instructions. This PROFLO faucet carries a limited lifetime warranty when installed in residential applications. The warranty is five years in commercial applications.

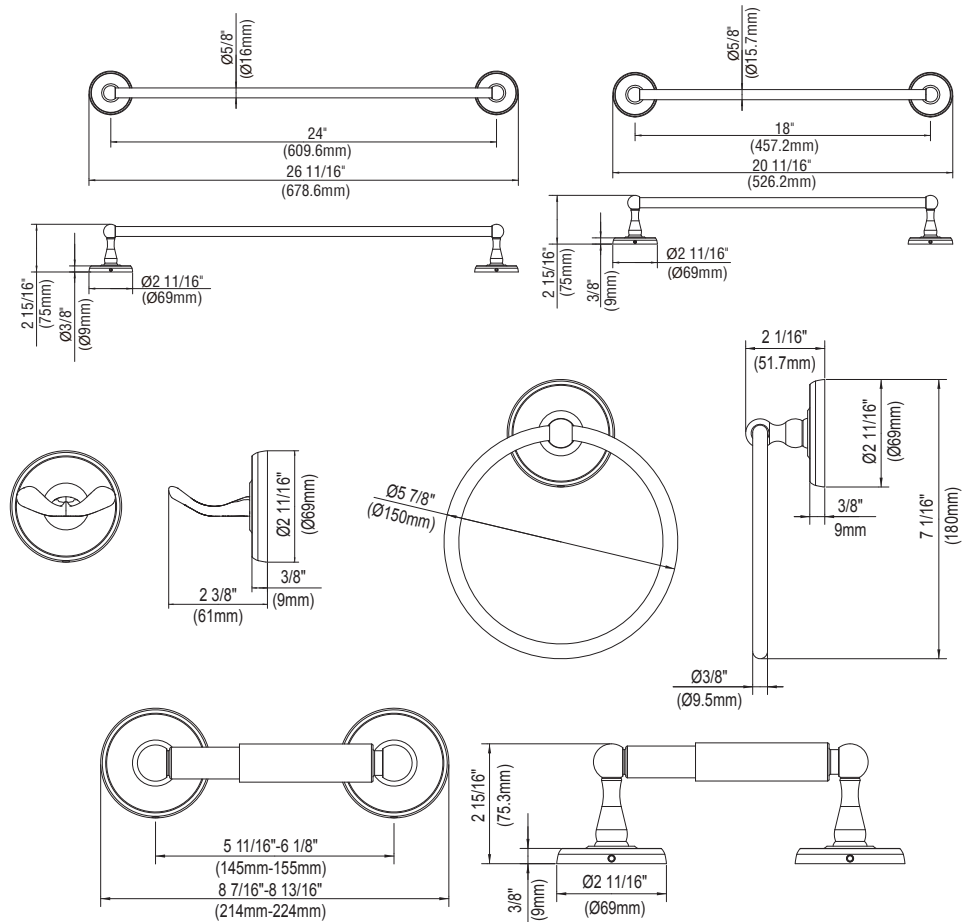
BATH ACCESSORIES

Specifications

**PF6700 PF6770 PF6731 PF6741
PF6751
Bath Accessories**



Product Specifications



* All measurements are nominal. Please verify before actual installation.

©2021 Ferguson Enterprises, LLC 06/21

PROFLO.COM

BATH ACCESSORIES

Specifications

**PF6700 PF6770 PF6731 PF6741
PF6751
Bath Accessories**



Product Features

- Zinc alloy die-cast posts
- Metal bars and rings
- Mounting hardware included



PF6700CP PF6770CP
PF6731CP PF6741CP PF6751CP

18" Towel Bar

PF6700CP Chrome
PF6700ZBN PVD Brushed nickel

24" Towel Bar

PF6770CP Chrome
PF6770ZBN PVD Brushed nickel

Paper Holder

PF6731CP Chrome
PF6731ZBN PVD Brushed nickel

Robe Hook

PF6741CP Chrome
PF6741ZBN PVD Brushed nickel

Towel Ring

PF6751CP Chrome
PF6751ZBN PVD Brushed nickel

Warranty and Codes

This product comes complete with installation, operating, care and maintenance instructions. This PROFLO faucet carries a limited lifetime warranty when installed in residential applications. The warranty is five years in commercial applications.

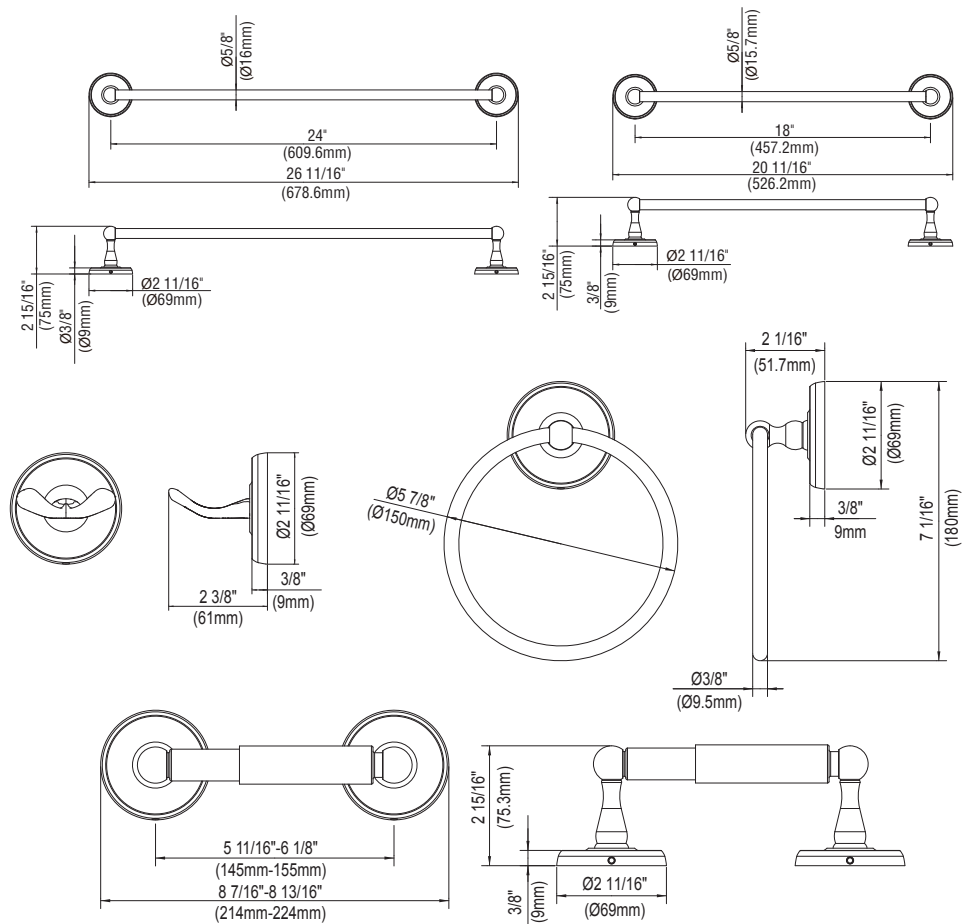
BATH ACCESSORIES

Specifications

**PF6700 PF6770 PF6731 PF6741
PF6751
Bath Accessories**



Product Specifications



* All measurements are nominal. Please verify before actual installation.

©2021 Ferguson Enterprises, LLC 06/21

PROFLO.COM



564229
BATH ACCESSORIES

60" Stainless Steel Shower Rod Satin Nickel



SPECIFICATIONS

MATERIAL CONSTRUCTION:	Steel
PVD FINISH:	No
ASSEMBLY REQUIRED:	No
TOOLS NEEDED FOR INSTALLATION:	Phillips Screwdriver
ASSEMBLED DIMENSIONS:	1" H x 60" L x 1" D
ASSEMBLED WEIGHT:	1.45 lbs.
MIN. LENGTH:	60"
MAX LENGTH:	60"
SCREWS INCLUDED:	Yes
DRYWALL ANCHORS INCLUDED:	No
CENTER TO CENTER:	N/A

WARRANTY:	1-Year limited warranty
LEGAL FOR SALE IN CALIFORNIA:	Yes
ADA COMPLIANT:	N/A



TYPE:
JOB:
ORDER CODE:
APPROVALS:

Design House reserves the right to make changes in materials, specifications & models at any time. Design House also reserves the right to discontinue product without notice or obligation.

7/24/2019

BATH ACCESSORIES

PFGB Series
1-1/2" (OD)

Stainless Steel **Grab Bar**



Product Features

- 1-1/2" SS grab bar w/concealed flange
- Bar-18 gauge (.048) 304 stainless steel
- Flange-14 gauge 304 stainless steel
- Screws-#10 x 2" self tapping stainless steel
- Finish-satin finish on regular grab bars (SF)
peened finish on peened grab bars (PF)
- Rated to 250 lb. test load

Recommended Accessory

WRESGBW35 Winglts Grab Bar Fastener Set of 2

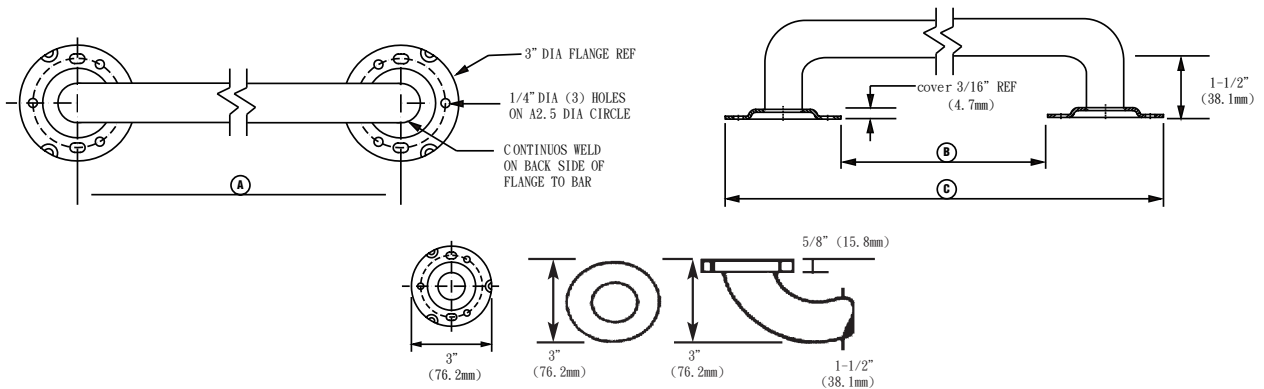


PFGB

Product Specifications

Satin Finish	Peened Finish	A	B	C
PFGB12SF2		12"	9"	15"
PFGB16SF2	PFGB16PF2	16"	13"	19"
PFGB18SF2	PFGB18PF2	18"	15"	21"
PFGB24SF2	PFGB24PF2	24"	21"	27"
PFGB30SF2	PFGB30PF2	30"	27"	33"
PFGB32SF2	PFGB32PF2	32"	29"	35"
PFGB36SF2	PFGB36PF2	36"	33"	39"
PFGB42SF2	PFGB42PF2	42"	39"	45"
PFGB48SF2		48"	45"	51"

Note: Stainless steel handle bar MUST BE attached to wall stud.



Warranty and Codes

This product comes complete with installation, operating, care and maintenance instructions. This PROFLO faucet carries a limited lifetime warranty when installed in residential applications. The warranty is five years in commercial applications.

Distributed Exclusively by Ferguson and Wolseley Canada

© 2017 Ferguson Enterprises, Inc.



CAP 04/17-A

BATH ACCESSORIES

PFGB Series
1-1/2" (OD)

Stainless Steel **Grab Bar**

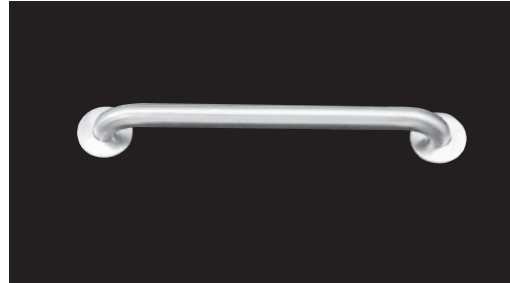


Product Features

- 1-1/2" SS grab bar w/concealed flange
- Bar-18 gauge (.048) 304 stainless steel
- Flange-14 gauge 304 stainless steel
- Screws-#10 x 2" self tapping stainless steel
- Finish-satin finish on regular grab bars (SF)
peened finish on peened grab bars (PF)
- Rated to 250 lb. test load

Recommended Accessory

WRESGBW35 Winglts Grab Bar Fastener Set of 2

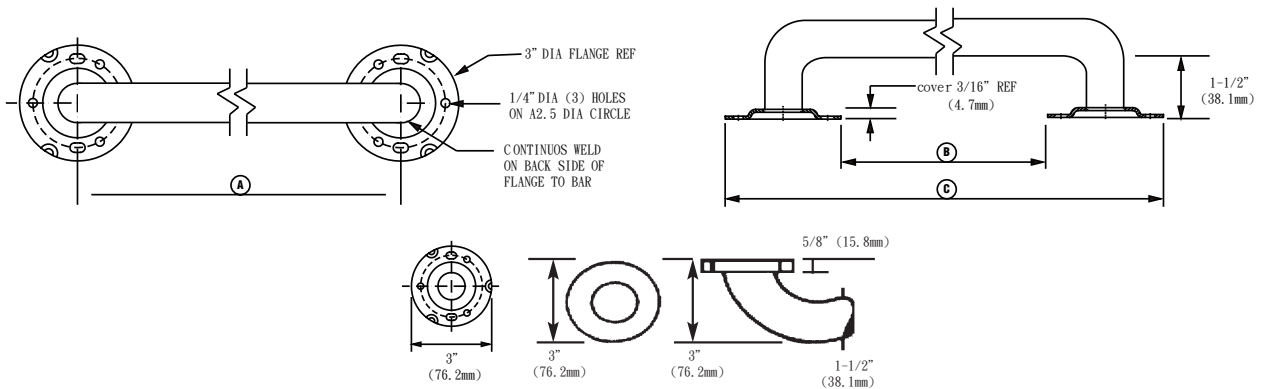


PFGB

Product Specifications

Satin Finish	Peened Finish	A	B	C
PFGB12SF2		12"	9"	15"
PFGB16SF2	PFGB16PF2	16"	13"	19"
PFGB18SF2	PFGB18PF2	18"	15"	21"
PFGB24SF2	PFGB24PF2	24"	21"	27"
PFGB30SF2	PFGB30PF2	30"	27"	33"
PFGB32SF2	PFGB32PF2	32"	29"	35"
PFGB36SF2	PFGB36PF2	36"	33"	39"
PFGB42SF2	PFGB42PF2	42"	39"	45"
PFGB48SF2		48"	45"	51"

Note: Stainless steel handle bar MUST BE attached to wall stud.



Warranty and Codes

This product comes complete with installation, operating, care and maintenance instructions. This PROFLO faucet carries a limited lifetime warranty when installed in residential applications. The warranty is five years in commercial applications.

© 2017 Ferguson Enterprises, Inc.

Distributed Exclusively by Ferguson and Wolseley Canada



CAP 04/17-A

BATH ACCESSORIES

PFGB Series
1-1/2" (OD)

Stainless Steel **Grab Bar**

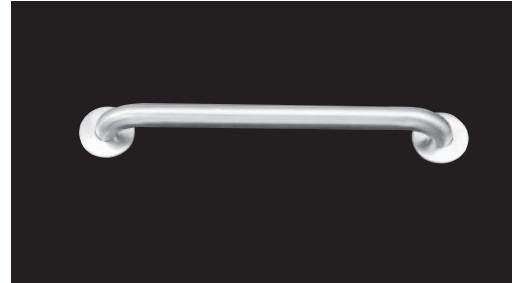


Product Features

- 1-1/2" SS grab bar w/concealed flange
- Bar-18 gauge (.048) 304 stainless steel
- Flange-14 gauge 304 stainless steel
- Screws-#10 x 2" self tapping stainless steel
- Finish-satin finish on regular grab bars (SF)
peened finish on peened grab bars (PF)
- Rated to 250 lb. test load

Recommended Accessory

WRESGBW35 Winglts Grab Bar Fastener Set of 2

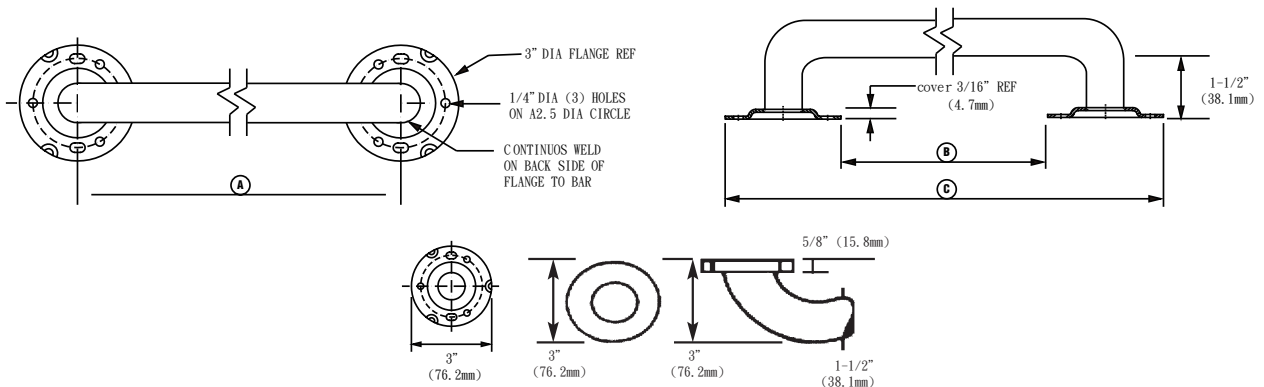


PFGB

Product Specifications

Satin Finish	Peened Finish	A	B	C
PFGB12SF2		12"	9"	15"
PFGB16SF2	PFGB16PF2	16"	13"	19"
PFGB18SF2	PFGB18PF2	18"	15"	21"
PFGB24SF2	PFGB24PF2	24"	21"	27"
PFGB30SF2	PFGB30PF2	30"	27"	33"
PFGB32SF2	PFGB32PF2	32"	29"	35"
PFGB36SF2	PFGB36PF2	36"	33"	39"
PFGB42SF2	PFGB42PF2	42"	39"	45"
PFGB48SF2		48"	45"	51"

Note: Stainless steel handle bar MUST BE attached to wall stud.



Warranty and Codes

This product comes complete with installation, operating, care and maintenance instructions. This PROFLO faucet carries a limited lifetime warranty when installed in residential applications. The warranty is five years in commercial applications.

© 2017 Ferguson Enterprises, Inc.

Distributed Exclusively by Ferguson and Wolseley Canada



CAP 04/17-A

BATH ACCESSORIES

PFGB Series
1-1/2" (OD)

Stainless Steel **Grab Bar**



Product Features

- 1-1/2" SS grab bar w/concealed flange
- Bar-18 gauge (.048) 304 stainless steel
- Flange-14 gauge 304 stainless steel
- Screws-#10 x 2" self tapping stainless steel
- Finish-satin finish on regular grab bars (SF)
peened finish on peened grab bars (PF)
- Rated to 250 lb. test load

Recommended Accessory

WRESGBW35 Winglts Grab Bar Fastener Set of 2

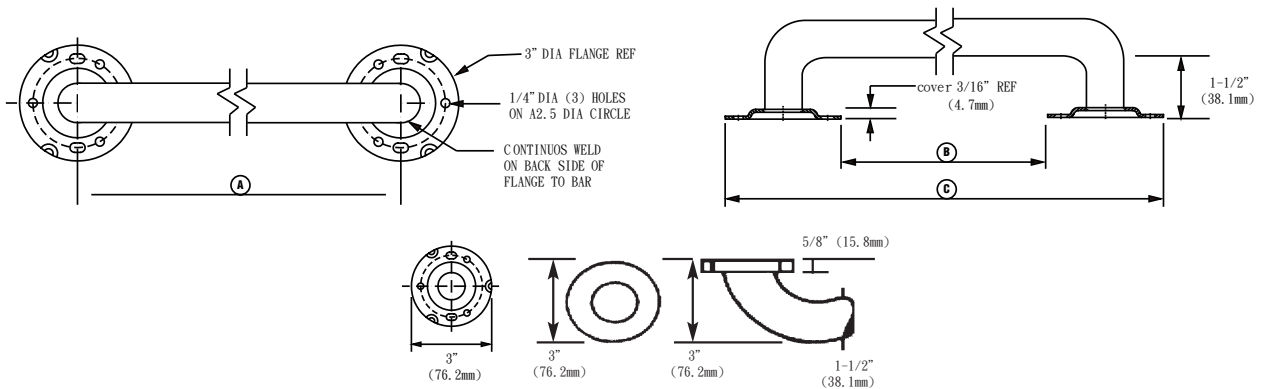


PFGB

Product Specifications

Satin Finish	Peened Finish	A	B	C
PFGB12SF2		12"	9"	15"
PFGB16SF2	PFGB16PF2	16"	13"	19"
PFGB18SF2	PFGB18PF2	18"	15"	21"
PFGB24SF2	PFGB24PF2	24"	21"	27"
PFGB30SF2	PFGB30PF2	30"	27"	33"
PFGB32SF2	PFGB32PF2	32"	29"	35"
PFGB36SF2	PFGB36PF2	36"	33"	39"
PFGB42SF2	PFGB42PF2	42"	39"	45"
PFGB48SF2		48"	45"	51"

Note: Stainless steel handle bar MUST BE attached to wall stud.



Warranty and Codes

This product comes complete with installation, operating, care and maintenance instructions. This PROFLO faucet carries a limited lifetime warranty when installed in residential applications. The warranty is five years in commercial applications.

Distributed Exclusively by Ferguson and Wolseley Canada

© 2017 Ferguson Enterprises, Inc.



CAP 04/17-A

BATH ACCESSORIES

Hookless®

MADISON
#HBH43MYS01



Product Features

Rectangle Pattern 100% Polyester - White

Coordinating Poly-Voile Translucent Window

Coordinating Flat Flex-On® Rings

Weighted Corner Magnets

71" Width x 74" Length

weights and measurements

Single Pack	
UPC	877003000203
WEIGHT	1.20 POUNDS
L X W X H	10.8 x 9.0 x 1.7
CUBIC FEET	0.09

Imported. F.O.B. Pleasant Prairie, WI 53158

Case Pack	
ITF	10877003000200
WEIGHT	15.70 POUNDS
L X W X H	16.2x11.2 x 9.5
CUBIC FEET	0.99
UNITS PER CASE	12

FOCUS HOSPITALITY

PRODUCTS GROUP INTERNATIONAL, LLC

300 Knightsbridge Parkway
Suite 500
Lincolnshire, IL 60069
877-910-2243
www.fpghospitality.com

Hookless®

MADISON
#HBH43MYS01SL77



Product Features

Rectangle Pattern 100% Polyester - White

Coordinating Poly-Voile Translucent Window

Coordinating Flat Flex-On® Rings

Includes It's A Snap!® Replaceable Liner with Magnets

71" Width x 77" Length

Replacement Snap Liner:
 HBH40SL0157 white
 UPC#877003001736
 (with bottom ultrasonic cut)

weights and measurements

Single Pack	
UPC	655431140186
WEIGHT	2.00 POUNDS
L X W X H	13.0 x 10.5 x 3.3
CUBIC FEET	0.26

Imported. F.O.B. Pleasant Prairie, WI 53158

Case Pack	
ITF	10655431140183
WEIGHT	25.00 POUNDS
L X W X H	13.3 x 11.5 x 17.2
CUBIC FEET	1.52

UNITS PER CASE 12

FOCUS HOSPITALITY

PRODUCTS GROUP INTERNATIONAL, LLC

300 Knightsbridge Parkway
 Suite 500
 Lincolnshire, IL 60069
877-910-2243
www.fpghospitality.com

BATH ACCESSORIES

Hookless®

MADISON
#HBH43MYS0177



Product Features

Rectangle Pattern 100% Polyester - White

Coordinating Poly-Voile Translucent Window

Coordinating Flat Flex-On® Rings

Weighted Corner Magnets

71" Width x 77" Length

weights and measurements

Single Pack	
UPC	877003000159
WEIGHT	1.30 POUNDS
L X W X H	10.5 x 9.0 x 1.0
CUBIC FEET	0.05

Imported. F.O.B. Pleasant Prairie, WI 53158

Case Pack	
ITF	10877003000156
WEIGHT	16.50 POUNDS
L X W X H	15.6 x 11.2 x 9.4
CUBIC FEET	0.95
UNITS PER CASE	12

FOCUS HOSPITALITY

PRODUCTS GROUP INTERNATIONAL, LLC

300 Knightsbridge Parkway
Suite 500
Lincolnshire, IL 60069
877-910-2243
www.fpghospitality.com

ELECTRICAL



PROSELECT PSTSL11NP
PROSELECT NON PROG 1H 1C TSTAT LS



BROANNUTON BZB80M
CCY 80 MOTION SENSING MULTI VENT
*Energy Star w/Motion Sense



BROANNUTON BZB80
CCY 80 CFM *ULTRA MULTI FAN
*Energy Star



BROANNUTON NBK110NBWH
WH 1 BTN CHIME KIT



EDSIGNALIN E7005G5
ANNUNCIATOR KIT HORN/STROBE
*Audio-Visual Equipment



BRK BRANDS BSC7010B
BRK 120V AC/DC SMOKE/CO COMBO

ELECTRICAL



LEVITON LGFTR1W
15A DUP TAMPER RES GFCI RECEPT WHIT



LEVITON LPJ262W
MID NYL 2G DECR-W



LEVITON LT5320W
15A RES DUP RECEPT WHIT



LEVITON LPJ8W
1G DUPLEX RECEPT WALL PLT MIDWAY



LEVITON L56012W
SP SWCH WHIT 15A DECO

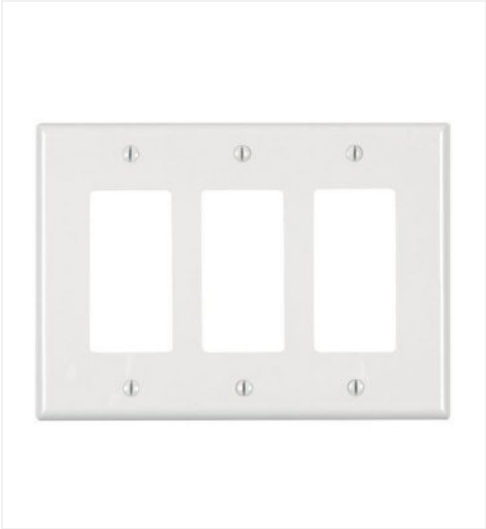


LEVITON L56032W
15A 3 WAY WHIT SWCH DECO

ELECTRICAL



LEVITON LPJ26W
1G 1 DECORA MIDWAY WALL PLT WHIT



LEVITON LPJ263W
3G MID SIZE DECORA WALL PLT WHIT



LEVITON L40249W
WHIT 4 CNDCTR SMOOTH WALL JACK



ONE YEAR LIMITED WARRANTY

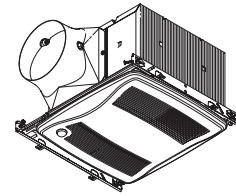
All parts for PROSELECT products are warranted to the original consumer purchaser to be free from defects in material and workmanship for a period of one (1) year. This warranty is made to the original consumer purchaser and shall be effective from date of purchase as shown on purchaser's receipt. PROSELECT will replace, free of charge, during the warranty period, any part which proves defective in material and/or workmanship under normal installation, use and service. It is PROSELECT's obligation under this warranty to the replacement of any part or parts which prove defective upon PROSELECT's local PROSELECT Dealer, transportation charges prepaid, with a copy of the purchase receipt. For the PROSELECT Dealer nearest you, call 1-800-221-3379.

THIS WARRANTY IS THE ONLY EXPRESS WARRANTY MADE BY PROSELECT AND IS LIMITED TO THE DURATION OF THIS WARRANTY AND ALL OTHER EXPRESSED OR IMPLIED WARRANTIES, WHETHER IMPLIED BY OPERATION OF LAW OR OTHERWISE, INCLUDING, WITHOUT LIMITATION, ALL IMPLIED WARRANTIES OF MERCHANTABILITY AND FITNESS OR FITNESS FOR A PARTICULAR PURPOSE, ARE FOR PERSONAL INJURY OR PROPERTY DAMAGE OR ANY OTHER LOSS, DAMAGE, COST OF REPAIRS OR INCIDENTAL, PUNITIVE, SPECIAL OR CONSEQUENTIAL DAMAGES OF ANY KIND, WHETHER BASED UPON WARRANTY, CONTRACT, STRICT LIABILITY, DESIGN, MANUFACTURE, SALE, TRANSPORTATION, INSTALLATION, USE OR REPAIR OF THE PRODUCTS SOLD BY PROSELECT. BUYER HEREBY ACKNOWLEDGES AND AGREES THAT UNDER NO CIRCUMSTANCE, AND IN NO EVENT, SHALL PROSELECT'S LIABILITY, IF ANY, EXCEED THE REPLACEMENT OF THE DEFECTIVE PRODUCT(S); NO ADDITIONAL ALLOWANCE SHALL BE MADE FOR THE LABOR OR EXPENSE OF REPAIRING OR REPLACING DEFECTIVE PRODUCTS OR WORKMANSHIP OR DAMAGE RESULTING FROM THE SAME. EXCEPT AS EXPRESSLY SET FORTH IN THIS PARAGRAPH, ALL PRODUCTS AND/OR SERVICES PROVIDED BY PROSELECT AND ITS EMPLOYEES AND AGENTS ARE PROVIDED "AS IS," "WHERE IS," "AND "WITH ALL FAULTS." Some states do not allow the exclusion or limitation of incidental or consequential damages, so the above limitation or exclusion may not apply to you.

This warranty is void for any damage to the PROSELECT product due to misuse, abuse, neglect, accident, improper installation, any use in violation of instructions furnished by us, or any use of replacement parts other than genuine PROSELECT parts



MODEL ZB80M VENTILATION FAN



FEATURES

ULTRASMART™ DC Motor and Control Technology

- DC motor for efficiency well beyond ENERGY STAR® requirements.
- Multi-speed capability ideal for meeting ASHRAE 62.2, LEED and ENERGY STAR® for Homes requirements. Can be used to comply with CA Title 24, as well as local/spot ventilation needs.
- Powerful operation maintained over a wide range of real-world installations (CFM ratings maintained through at least 0.25" static pressure).
- Infinitely adjustable low cfm setting allows precise adjustment to prevent over-ventilating and maximize efficiency.
- Adjustable time delay sets how long fan will run on high speed before returning to a continuous lower speed.
- Rated for Continuous Operation.

ULTRASILENT™ Sound Technology

- HVI certified, best-achievable <0.3 Sone level provides nearly silent operation for a relaxing environment.
- State-of-the-art blower and duct outlet design smooths airflow.
- High tech DC motor designed for nearly silent operation.

ULTRAQUICK™ Installation Technology

- Unique telescoping mounting frame fits through retrofit drywall opening to allow easy installation from the room side. No attic access needed!
- Captive screws allow for easy new construction installation.
- Mounting frame positioning tabs provide easy vertical positioning for new construction.
- Easy to insert and remove snap-in housing. No screws required!
- Easy to insert and remove snap-in blower.
- Inside or outside duct connector and knockout plate mounting provides flexibility for new construction or retrofit.

ULTRASENSE™ Motion Sensing Technology

- Detects motion at the ceiling where coverage may be improved over wall-mounted sensor.
- Automatically switches fan to maximum airflow (CFM) when motion is detected.

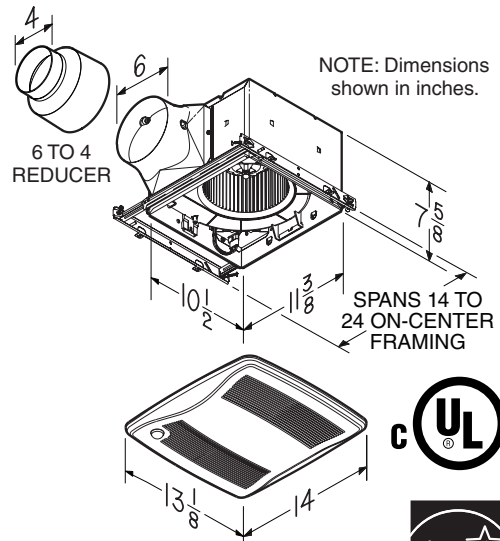
- After motion is not detected, fan operates at maximum airflow (CFM) until UltraSmart™ user adjustable (5 to 60 minutes) time delay set point is reached then fan reduces to continuous airflow (CFM) level.

U.L. Listed for use over bathtubs and showers when connected to a GFCI protected branch circuit (ceiling mount only).

Use only ON/OFF switch, mechanical timer or relay-switched control.

3-year warranty.

DIMENSIONS



Broan | 926 West State Street, Hartford, WI 53027 | 1 800-558-1711 | www.broan.com
 Broan Canada | 1140 Tristar Drive Mississauga, Ontario Canada L5T 1H9 | 1 888-882-7626 | www.broan.ca

REFERENCE	QTY.	REMARKS	Project	
			Location	Date
			Architect	
			Engineer	
			Contractor	
			Submitted by	

BROAN® PERFORMANCE SPECIFICATIONS MODEL ZB80M VENTILATION FAN

HVI PERFORMANCE

Airflow Rate Setting (CFM)	6" Duct					4" Duct				
	0.1 Ps - Static Pressure (inH2O)				0.25 Ps	0.1 Ps - Static Pressure (inH2O)				0.25 Ps
	Airflow (CFM)	Sound (Sones)	Power (Watts)	Efficacy (CFM/Watt)	Airflow (CFM)	Airflow (CFM)	Sound (Sones)	Power (Watts)	Efficacy (CFM/Watt)	Airflow (CFM)
80	80	< 0.3	6.4	12.5	79	80	0.3	8.2	9.8	80
70	70	< 0.3	5.7	12.3	71	70	< 0.3	7.1	9.9	70
60	60	< 0.3	5.0	12.0	61	60	< 0.3	6.1	9.8	60
50	50	< 0.3	4.6	10.9	49	50	< 0.3	5.7	8.8	47
40	40	< 0.3	4.3	9.3	36	40	< 0.3	4.9	8.2	34
30	30	< 0.3	4.0	7.5	23	30	< 0.3	4.5	6.7	22

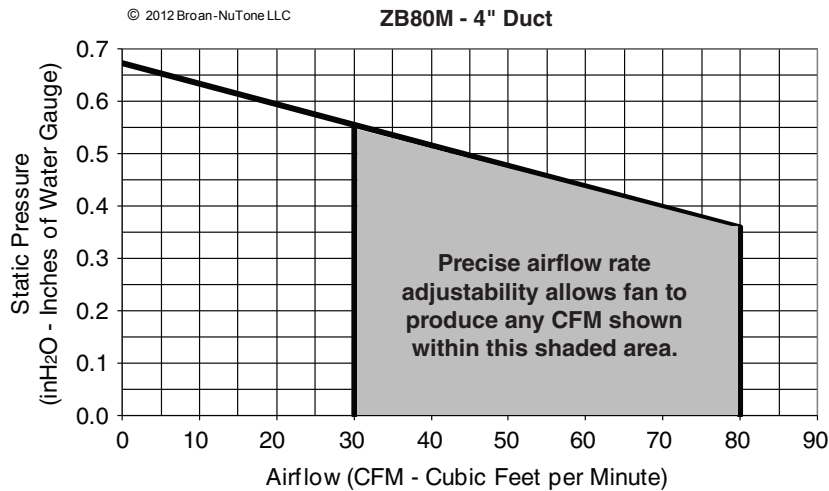
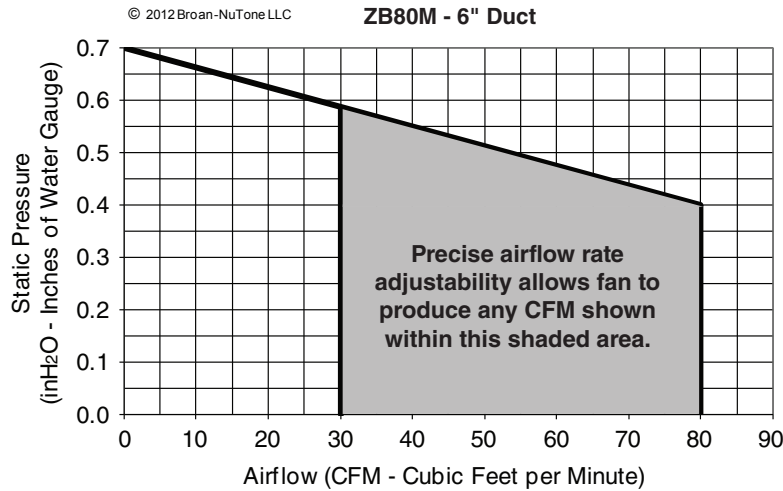
ELECTRICAL & WEIGHT

Volts	Hz	Amps	Shipping Weight (lbs.)
120	60	0.3	12.0

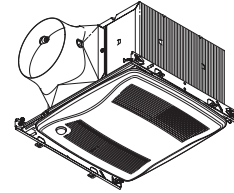


HVI-2100 CERTIFIED RATINGS comply with new testing technologies and procedures prescribed by the Home Ventilating Institute, for off-the-shelf products, as they are available to consumers. Product performance is rated at 0.1 in. static pressure, based on tests conducted in a state-of-the-art test laboratory. Sones are a measure of humanly-perceived loudness, based on laboratory measurements.

FAN CAPABILITY



VENTILATEUR MULTIVITESSE AVEC DÉTECTEUR DE MOUVEMENT MODÈLE ZB80M



CARACTÉRISTIQUES

Moteur CC et technologie de contrôle ULTRASMART^{MD}

- Moteur CC d'une efficacité dépassant de loin les exigences ENERGY STAR[®].
- Multivitesse, idéal pour se conformer aux normes ASHRAE 62.2, LEED et ENERGY STAR[®] régissant les maisons. Peut être utilisé pour se conformer au CA Title 24 de même qu'aux besoins de ventilation locaux et occasionnels.
- Performance de ventilation maintenue dans un large éventail d'installations (le taux de PCM calibré est maintenu jusqu'à 0,25 po de pression statique).
- L'ajustement précis de la ventilation à faible débit en pi³/min, à réglage continu, permet d'éviter de trop ventiler et maximise l'efficacité.
- La minuterie ajustable permet de régler la durée de fonctionnement en haute vitesse du ventilateur avant de retourner en basse vitesse en continu.
- Homologué pour un fonctionnement continu.

Technologie sonore ULTRASILENT^{MD}

- Certifié HVI, notre meilleur niveau sonore jamais atteint de <0,3 sone donne un fonctionnement quasi silencieux pour un environnement relaxant.
- Le design de pointe du ventilateur et du raccord du conduit optimisent le débit de l'air.
- Le moteur CC de haute technologie est conçu pour procurer un fonctionnement presque totalement silencieux.

Technologie d'installation ULTRAQUICK^{MD}

- Le cadre de montage télescopique unique s'insère dans l'ouverture existante de l'ancien ventilateur pour permettre l'installation facile à partir de la pièce, sans avoir à passer par le grenier!
- Les vis intégrées facilitent l'installation dans de nouvelles constructions.
- Les languettes du cadre de montage assurent un positionnement vertical facile à réaliser.
- Boîtier encliquetable à insertion et à retrait facile. Nul besoin de vis!
- Ventilateur encliquetable à insertion et à retrait facile.
- L'assemblage par l'intérieur ou l'extérieur du raccord de conduit et de la plaque de branchement défonçable donne la flexibilité voulue pour les nouvelles construction ou la rénovation.

Technologie de détection du mouvement ULTRASENSE^{MD}

- Détecte les mouvements à partir du plafond, pour une portée supérieure comparée à un capteur installé au mur.

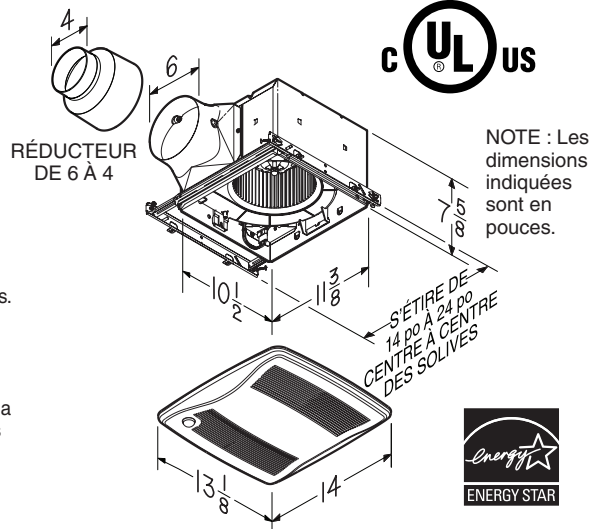
- Active automatiquement le ventilateur en vitesse maximale (PCM) lorsqu'un mouvement est détecté.
- Lorsqu'aucun mouvement est détecté, le ventilateur continue de fonctionner en vitesse maximale (PCM) jusqu'à ce que la temporisation réglable par l'utilisateur UltraSmartMD (de 5 à 60 minutes) soit écoulée, alors le ventilateur baisse de régime et retourne au niveau de vitesse continue pré-réglée (PCM).

Homologué UL pour utilisation au-dessus de la baignoire ou de la douche lorsque raccordé à un circuit de dérivation protégé par un disjoncteur de fuite à la terre (DDFT) (installation au plafond seulement).

N'utilisez qu'un interrupteur MARCHE/ARRÊT, une minuterie mécanique ou une commande à relais.

Garantie de 3 ans.

DIMENSIONS



Broan | 926 West State Street, Hartford, WI 53027 | 1 800-558-1711 | www.broan.com
 Broan Canada | 1140 Tristar Drive Mississauga, Ontario Canada L5T 1H9 | 1 888-882-7626 | www.broan.ca

RÉFÉRENCE	QTÉ	REMARQUES	Projet
			Lieu
			Architecte
			Ingénieur
			Entrepreneur
			Soumis par Date



SPÉCIFICATIONS DE PERFORMANCE VENTILATEUR MUTIVITESSE AVEC DÉTECTEUR DE MOUVEMENT MODÈLE ZB80M

PERFORMANCE HVI

Réglage du débit de l'air (PCM)	Conduit de 6 po					Conduit de 4 po				
	0,1 Ps - Pression statique (po H ₂ O)				0,25 Ps	0,1 Ps - Pression statique (po H ₂ O)				0,25 Ps
	Débit de l'air (PCM)	Niveau sonore (sones)	Puissance (watts)	Efficacité (PCM/watt)	Débit de l'air (PCM)	Débit de l'air (PCM)	Niveau sonore (sones)	Puissance (watts)	Efficacité (PCM/watt)	Débit de l'air (PCM)
80	80	< 0.3	6.4	12.5	79	80	0.3	8.2	9.8	80
70	70	< 0.3	5.7	12.3	71	70	< 0.3	7.1	9.9	70
60	60	< 0.3	5.0	12.0	61	60	< 0.3	6.1	9.8	60
50	50	< 0.3	4.6	10.9	49	50	< 0.3	5.7	8.8	47
40	40	< 0.3	4.3	9.3	36	40	< 0.3	4.9	8.2	34
30	30	< 0.3	4.0	7.5	23	30	< 0.3	4.5	6.7	22

ÉLECTRICITÉ ET POIDS

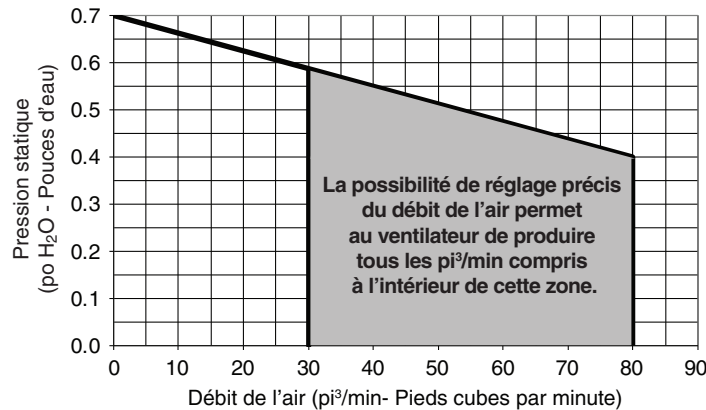
Volts	Hz	A	Poids à l'expédition (lb)
120	60	0,3	12,0



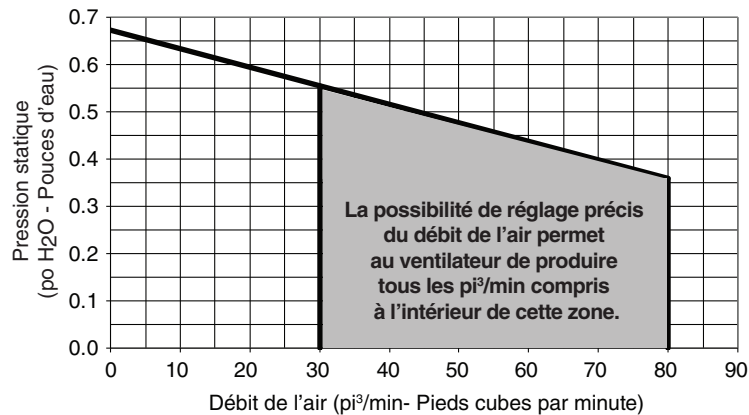
RÉSULTATS HOMOLOGUÉS HVI-2100 conformes aux nouvelles technologies de test et aux procédures prescrites par le *Home Ventilating Institute*, pour les produits offerts sur le marché, tels qu'ils sont présentés aux consommateurs. La performance du produit est calibrée à 0,1 po de pression statique, basée sur les tests dirigés par un laboratoire de pointe. Un sone est une unité de mesure de bruit perçu par l'oreille humaine, basée sur des mesures en laboratoire.

CAPACITÉ DU VENTILATEUR

© 2012 Broan-NuTone LLC ZB80M - Conduit de 6 po

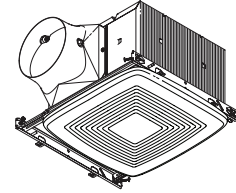


© 2012 Broan-NuTone LLC ZB80M - Conduit de 4 po





MODEL ZB80 VENTILATION FAN



FEATURES

ULTRASMART™ DC Motor and Control Technology

- DC motor for efficiency well beyond ENERGY STAR® requirements.
- Multi-speed capability ideal for meeting ASHRAE 62.2, LEED and ENERGY STAR® for Homes requirements. Can be used to comply with CA Title 24, as well as local/spot ventilation needs.
- Powerful operation maintained over a wide range of real-world installations (CFM ratings maintained through at least 0.25" static pressure).
- Infinitely adjustable low cfm setting allows precise adjustment to prevent over-ventilating and maximize efficiency.
- Adjustable time delay sets how long fan will run on high speed before returning to a continuous lower speed.
- Rated for Continuous Operation.

ULTRASILENT™ Sound Technology

- HVI certified, best-achievable <0.3 Sone level provides nearly silent operation for a relaxing environment.
- State-of-the-art blower and duct outlet design smooths airflow.
- High tech DC motor designed for nearly silent operation.

ULTRAQUICK™ Installation Technology

- Unique telescoping mounting frame fits through retrofit drywall opening to allow easy installation from the room side. No attic access needed!
- Captive screws allow for easy new construction installation.
- Mounting frame positioning tabs provide easy vertical positioning for new construction.
- Easy to insert and remove snap-in housing. No screws required!
- Easy to insert and remove snap-in blower.
- Inside or outside duct connector and knockout plate mounting provides flexibility for new construction or retrofit.

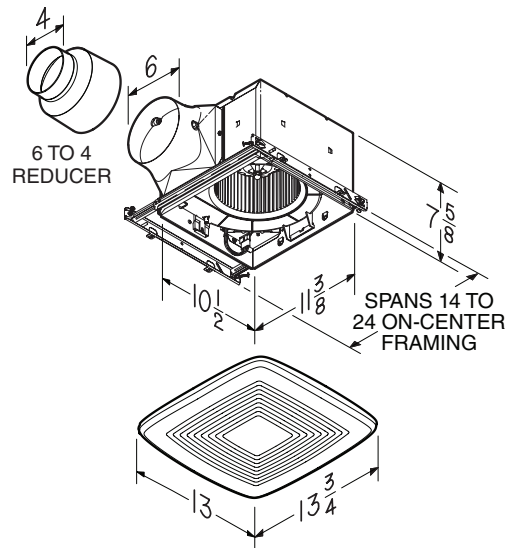
cULus Listed for use over bathtubs and showers when connected to a GFCI protected branch circuit (ceiling mount only).

Use only ON/OFF switch, mechanical timer or relay-switched control.

3-year warranty.

Broan | 926 West State Street, Hartford, WI 53027 | 1 800-558-1711 | www.broan.com
 Broan Canada | 1140 Tristar Drive Mississauga, Ontario Canada L5T 1H9 | 1 888-882-7626 | www.broan.ca

DIMENSIONS



NOTE: Dimensions shown in inches.



REFERENCE	QTY.	REMARKS	Project	
			Location	Date
			Architect	
			Engineer	
			Contractor	
			Submitted by	

71D 99044787G

ELECTRICAL

BROAN® PERFORMANCE SPECIFICATIONS MODEL ZB80 VENTILATION FAN

AMCA LICENSED PERFORMANCE

Airflow Rate Setting (CFM)	Duct Size	Performance @ Static Pressure (Ps) - Inches Water Gage												Volts	Hz.	Nominal RPM	
		0.100" Ps			0.125" Ps		0.250" Ps		0.375" Ps		0.500" Ps		0.625" Ps				
		CFM	Sones	Watts	CFM	Sones	CFM	Sones	CFM	Sones	CFM	Sones	CFM				Sones
80	4" Round	80	< 0.3	7.8	80	0.3	80	1.0	78	1.8	64	2.4	37	3.0	120	60	985
	6" Round	80	< 0.3	6.1	80	< 0.3	80	0.6	78	1.4	66	2.2	38	3.0	120	60	935



Performance ratings include the effects of inlet grille and backdraft damper. Speed (RPM) shown is nominal. Performance is based on actual speed of test. The sound ratings are loudness values in fan sones at 5' (1.5m) in a spherical free field calculated per AMCA Std. 301. Values shown are for Installation Type B: free inlet hemispherical sone levels. Performance certified is for Installation Type B: Free inlet, Ducted outlet.

HVI PERFORMANCE

Airflow Rate Setting (CFM)	6" Duct					4" Duct				
	0.1 Ps - Static Pressure (inH2O)				0.25 Ps	0.1 Ps - Static Pressure (inH2O)				0.25 Ps
	Airflow (CFM)	Sound (Sones)	Power (Watts)	Efficacy (CFM/Watt)	Airflow (CFM)	Airflow (CFM)	Sound (Sones)	Power (Watts)	Efficacy (CFM/Watt)	Airflow (CFM)
80	80	< 0.3	5.8	13.7	79	80	0.3	7.6	10.5	80
70	70	< 0.3	5.1	13.7	71	70	< 0.3	6.5	10.7	70
60	60	< 0.3	4.4	13.6	61	60	< 0.3	5.5	10.9	60
50	50	< 0.3	4.0	12.7	49	50	< 0.3	5.1	10.3	47
40	40	< 0.3	3.7	12.1	36	40	< 0.3	4.3	10.9	34
30	30	< 0.3	3.4	11.4	23	30	< 0.3	3.9	10.2	22



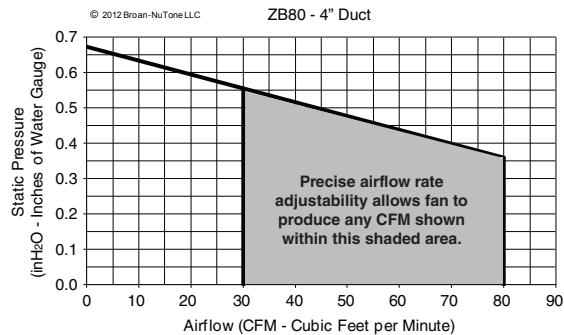
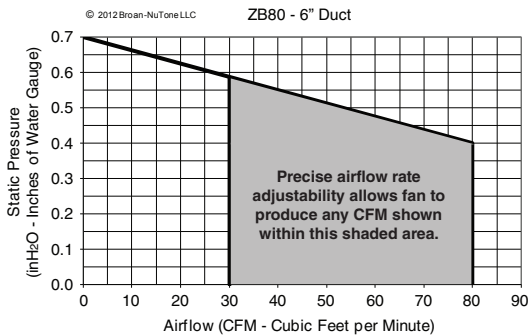
HVI-2100 CERTIFIED RATINGS comply with new testing technologies and procedures prescribed by the Home Ventilating Institute, for off-the-shelf products, as they are available to consumers. Product performance is rated at 0.1 in. static pressure, based on tests conducted in a state-of-the-art test laboratory. Sones are a measure of humanly-perceived loudness, based on laboratory measurements.

ELECTRICAL & WEIGHT

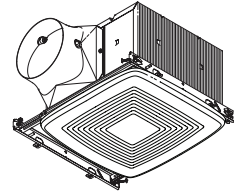
Volts	Hz	Amps	Shipping Weight (lbs.)
120	60	0.3	12.5



FAN CAPABILITY



VENTILATEUR MODÈLE ZB80



CARACTÉRISTIQUES

Moteur CC et technologie de contrôle **ULTRASMART**^{MD}

- Moteur CC d'une efficacité dépassant de loin les exigences ENERGY STAR[®].
- Multivitesse, idéal pour se conformer aux normes ASHRAE 62.2, LEED et ENERGY STAR[®] régissant les maisons. Peut être utilisé pour se conformer au CA Title 24 de même qu'aux besoins de ventilation locaux et occasionnels.
- Performance de ventilation maintenue dans un large éventail d'installations (le taux de PCM calibré est maintenu jusqu'à 0,25 po de pression statique).
- L'ajustement précis de la ventilation à faible débit en pi³/min, à réglage continu, permet d'éviter de trop ventiler et maximise l'efficacité.
- La minuterie ajustable permet de régler la durée de fonctionnement en haute vitesse du ventilateur avant de retourner en basse vitesse en continu.
- Homologué pour un fonctionnement continu.

Technologie sonore **ULTRASILENT**^{MD}

- Certifié HVI, notre meilleur niveau sonore jamais atteint de <0,3 sone donne un fonctionnement quasi silencieux pour un environnement relaxant.
- Le design de pointe du ventilateur et du raccord du conduit optimisent le débit de l'air.
- Le moteur CC de haute technologie est conçu pour procurer un fonctionnement presque totalement silencieux.

Technologie d'installation **ULTRAQUICK**^{MD}

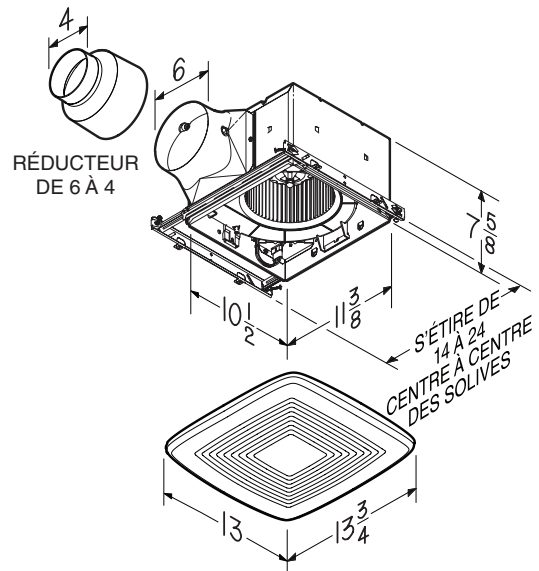
- Le cadre de montage télescopique unique s'insère dans l'ouverture existante de l'ancien ventilateur pour permettre l'installation facile à partir de la pièce, sans avoir à passer par le grenier!
- Les vis intégrées facilitent l'installation dans de nouvelles constructions.
- Les languettes du cadre de montage assurent un positionnement vertical facile à réaliser.
- Boîtier encliquetable à insertion et à retrait facile. Nul besoin de vis!
- Ventilateur encliquetable à insertion et à retrait facile.
- L'assemblage par l'intérieur ou l'extérieur du raccord de conduit et de la plaque de branchement défonçable donne la flexibilité voulue pour les nouvelles construction ou la rénovation.

Homologué cUL pour utilisation au-dessus de la baignoire ou de la douche lorsque raccordé à un circuit de dérivation protégé par un disjoncteur de fuite à la terre (DDFT) (installation au plafond seulement).

N'utilisez qu'un interrupteur MARCHE/ARRÊT, une minuterie mécanique ou une commande à relais.

Garantie de 3 ans.

DIMENSIONS



NOTE : Les dimensions indiquées sont en pouces.



Broan | 926 West State Street, Hartford, WI 53027 | 1 800-558-1711 | www.broan.com
 Broan Canada | 1140 Tristar Drive Mississauga, Ontario Canada L5T 1H9 | 1 888-882-7626 | www.broan.ca

RÉFÉRENCE	QTÉ	REMARQUES	Projet
			Lieu
			Architecte
			Ingénieur
			Entrepreneur
			Soumis par Date

BROAN® SPÉCIFICATIONS DE PERFORMANCE VENTILATEUR MODÈLE ZB80

PERFORMANCE CERTIFIÉE PAR L'AMCA

Réglage du débit d'air (pi ³ /min)	Dimensions du conduit	Performance avec une pression (Ps) - po H ₂ O												Volts	Hz.	Régime nominal	
		0,100 po Ps			0,125 po Ps		0,250 po Ps		0,375 po Ps		0,500 po Ps		0,625 po Ps				
		PCM	Sones	Watts	PCM	Sones	PCM	Sones	PCM	Sones	PCM	Sones	PCM				Sones
80	10 cm (4 po) rond	80	< 0,3	7,8	80	0,3	80	1,0	78	1,8	64	2,4	37	3,0	120	60	985
	15 cm (6 po) rond	80	< 0,3	6,1	80	< 0,3	80	0,6	78	1,4	66	2,2	38	3,0	120	60	935



Les cotes de rendement comprennent les effets de la grille d'admission et du clapet antirefoulement. La vitesse indiquée (tr/min.) est une valeur nominale. Le rendement est basé sur la vitesse réelle lors de l'essai. Les cotes de sonorité correspondent à l'intensité du bruit du ventilateur exprimée en sones à 1,5 m (5 pi) dans un champ sphérique libre calculé par l'AMCA Std. 301. Les valeurs indiquées sont pour une installation de type B : niveaux de sones hémisphériques de ventilateur à admission libre. Le rendement homologué correspond à une installation de type B : admission libre, sortie canalisée.

PERFORMANCE HVI

Réglage du débit de l'air (pi ³ /min)	Conduit de 6 po				Conduit de 4 po							
	0,1 Ps - Pression statique (po H ₂ O)				0,25 Ps		0,1 Ps - Pression statique (po H ₂ O)				0,25 Ps	
	Débit (pi ³ /min)	Niveau sonore (sone)	Puissance (watts)	Efficacité (pi ³ /min/watt)	Débit (pi ³ /min)	Débit (pi ³ /min)	Niveau sonore (sone)	Puissance (watts)	Efficacité (pi ³ /min/watt)	Débit (pi ³ /min)	Débit (pi ³ /min)	
80	80	< 0,3	5,8	13,7	79	80	< 0,3	7,6	10,5	80	80	
70	70	< 0,3	5,1	13,7	71	70	< 0,3	6,5	10,7	70	70	
60	60	< 0,3	4,4	13,6	61	60	< 0,3	5,5	10,9	60	60	
50	50	< 0,3	4,0	12,7	49	50	< 0,3	5,1	10,3	47	47	
40	40	< 0,3	3,7	12,1	36	40	< 0,3	4,3	10,9	34	34	
30	30	< 0,3	3,4	11,4	23	30	< 0,3	3,9	10,2	22	22	



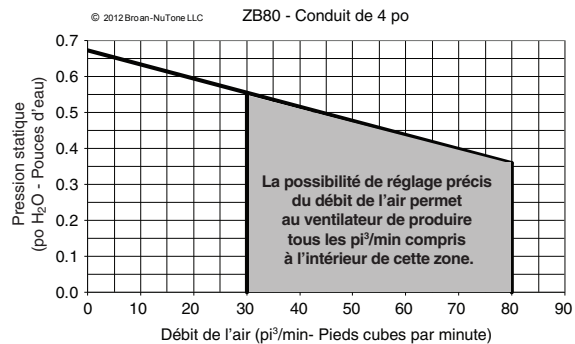
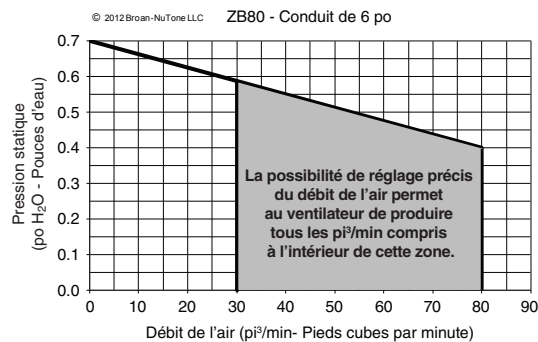
® RÉSULTATS HOMOLOGUÉS HVI-2100 conformes aux nouvelles technologies de test et aux procédures prescrites par le Home Ventilating Institute, pour les produits offerts sur le marché, tels qu'ils sont présentés aux consommateurs. La performance du produit est calibrée à 0,1 po de pression statique, basée sur les tests dirigés par un laboratoire de pointe. Un sone est une unité de mesure de bruit perçu par l'oreille humaine, basée sur des mesures en laboratoire.

ÉLECTRICITÉ ET POIDS

Volts	Hz	A	Poids à l'expédition
120	60	0,3	12,5 lb



CAPABILITÉ DU VENTILATEUR



ELECTRICAL

12 WIRED CHIMES

Builder Kits – Builder Chimes

One part number puts the perfect kit in your hands.

High quality and innovative styles set NuTone® builder kits apart from the others. Our attractive new chime kits feature a graceful curved style cover with a rich, textured face. It's the perfect complement to the high quality materials today's consumers expect. Even our transformer has been updated with a new design that incorporates a heavy-duty attachment nut. NuTone understands what is important to you. Our chime kits take one more worry out of your way.



Model#	Chime Style	Lighted Round Button	Lighted Button	Unlighted Button	Stucco Button
BK105	Basic	-	-	-	-
BK144LCL	Basic	1	-	-	-
BK110NBWH	Basic	-	-	1	-
BK115LWH	Basic	-	1	-	-
BK120NBWH	Basic	-	-	2	-
BK125LWH	Basic	-	2	-	-
BK300LWH	Deluxe	-	2	-	-
BK131NBPB	Basic	-	-	-	1 Unlighted Polished Brass Stucco
BK131LPB	Basic	-	-	-	1 Lighted Polished Brass Stucco
BK131LWH	Basic	-	-	-	1 Lighted White Stucco
BK131LSN	Basic	-	-	-	1 Lighted Satin Nickel Stucco
BK131LRBZ	Basic	-	-	-	1 Lighted Oil-Rubbed Bronze Stucco
BK147LWH	Recessed	-	1	-	-

* Building codes vary by region. Refer to your local municipality building codes.

The BK105 is a chime only kit. All other builder kits include a C905 transformer.

Hotel Room Annunciator CFA Series

The Edwards 7005-G5 24 volt Hotel Room Annunciator is for use in hotel rooms and other areas designed to assist those with audible, visual, or physical impairments. The kit consists of a 6536-G5 horn/strobe for audible and visual signaling, a 620 push button, a 147-10 mounting plate, and a 592 transformer. Each component may also be ordered individually.

6536-G5 Horn/Strobe

The 6536-G5 Horn/Strobe is designed for use in a single gang 2" (51mm) x 4" (102mm) box located over the door. Each unit contains an audible horn signal which generates an 82 dBA sound pressure level at 10 ft. and a 50 cd strobe.

592 Transformer

The Edwards 592 transformer is used to power the horn/strobe. It is equipped with a grounding wire and is suitable for installation in both plastic and metal boxes.

620 Push Button

The 620 push button station provides call activation when installed in the 147-10 mounting plate (page 6-10). The plate has a stainless steel face. The switch is momentary.

Features and Specifications

- Kit includes 6536-G5 Horn/Strobe, 592 Transformer and 620 Push Button
- Neutral white color
- Fits single gang box
- 92dB buzzer at 1 meter/82dB at 10ft.
- UL 1638 listed - Horn/Strobe



6

CALL FOR ASSISTANCE

Ordering Information

Description	Cat. No.	Transformer		Horn/Strobe Current	Lens Color	dBA at 1m/10ft.	Strobe Candela
		Primary	Secondary				
Call for Assistance Kit	7005-G5	120V AC	24V AC	0.175 A @ 24V AC ¹ 0.125 A @ 24V DC	Clear	92/82	50
	7005A-G5	120V AC	24V AC	0.175 A @ 24V AC ¹ 0.125 A @ 24V DC	Amber	92/82	40
	7005B-G5	120V AC	24V AC	0.175 A @ 24V AC ¹ 0.125 A @ 24V DC	Blue	92/82	17
	7005G-G5	120V AC	24V AC	0.175 A @ 24V AC ¹ 0.125 A @ 24V DC	Green	92/82	29
	7005R-G5	120V AC	24V AC	0.175 A @ 24V AC ¹ 0.125 A @ 24V DC	Red	92/82	25

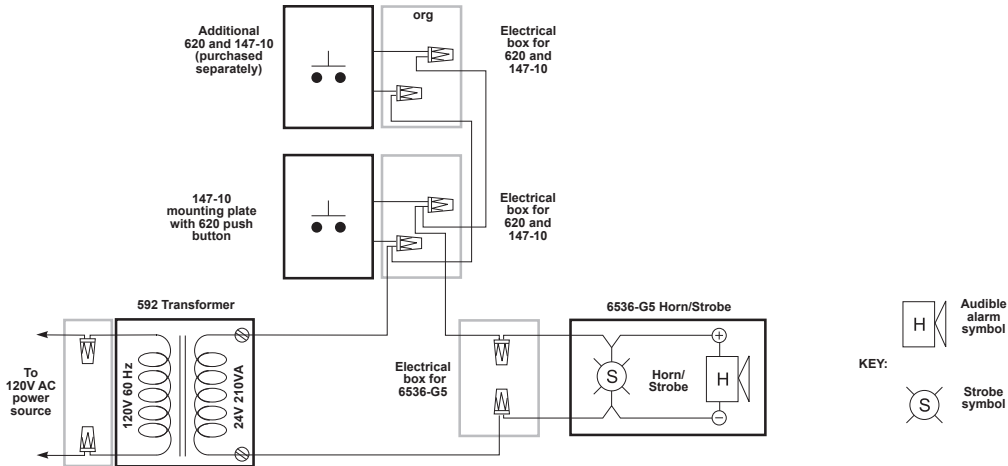
¹AC voltage frequency is 50/60 Hz



Hotel Room Annunciator CFA Series

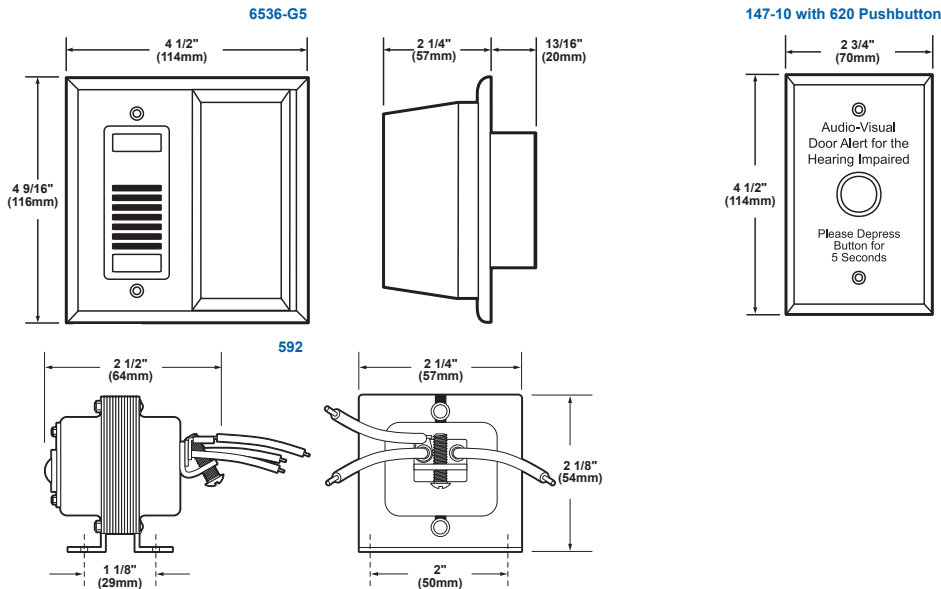
Technical Information

Connecting 7005-G5 Hotel Room Annunciator



Weights and Dimensions

Cat. No.	Approx. Net Weight (lb.)	Approx. Shipping Weight (lb.)
7005-G5	1.46	1.66
7005A-G5	1.46	1.66
7005B-G5	1.46	1.66
7005G-G5	1.46	1.66
7005R-G5	1.46	1.66



6

CALL FOR ASSISTANCE

SMOKE & CO COMBO ALARM

CAT. **SC7010B**



**10YR CO SENSOR
10YR ALARM LIFE**

SMOKE & CO COMBO
Electrochemical CO sensor; Photoelectric smoke sensor.

**LATCHING ALARM
INDICATOR**

Remembers which unit initiated an alarm.

SILENCE FEATURE

Silences nuisance alarms.

END OF LIFE SIGNAL

Provides audible notice when alarm needs to be replaced after 10 years.

**SPREAD SPECTRUM
HORN TONE**

Easier for elderly with normal age related hearing loss to hear the horn.

**OPTIPATH 360
TECHNOLOGY™**

Provides 360 degrees of direct access to the smoke sensing chamber.



PHOTOELECTRIC



BRK®

THE PROFESSIONAL STANDARD

**120V AC, 60Hz Wire-in
with 3V (two 1.5V AA) Battery Backup**

Description:

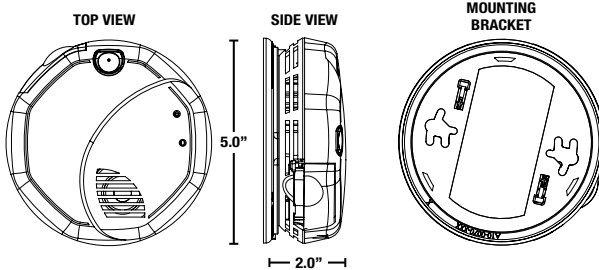
The BRK Model No. SC7010B is a wire-in, 120V AC 60Hz single and/or multiple station combination smoke and carbon monoxide alarm specifically designed for residential and institutional applications including sleeping rooms of hospitals, hotels, motels, dormitories and other multi-family dwellings as defined in standard NFPA 101. Model SC7010B complies with UL217 and UL2034, CSFM, NFPA 72 and NFPA 720, HUD, FHA and other agencies that model their codes after the above agencies. It meets building codes where AC/DC photoelectric smoke and carbon monoxide alarms are required.

The BRK SC7010B is a state-of-the-art hardwired with battery backup smoke/CO combo alarm that features a photoelectric smoke sensing chamber, an electrochemical CO sensor and an End of Life signal. The Spread Spectrum Horn Tone has a lower and varying frequency that makes it easier for the elderly with normal age related hearing loss to hear the horn. This alarm features two latching features and two silence features. Alarm Latch: Easily identifies initiating alarm even after alarm condition has subsided. Low Battery Latch: Identifies which unit is in low battery condition by blinking the green power light. Low Battery Silence: Temporarily silence the low battery chirp for up to eight hours. Alarm Silence: Silence alarm for several minutes. Other features include an 85dB horn, single button test/silence, an easy access battery drawer and dust cover. OptiPath 360 Technology: Exclusive patented technology provides 360 degrees of direct access to the smoke sensor. Two locking features are provided to prevent battery theft and/or theft of the unit. Connection to AC power is made with a Quick-Connect wiring harness. Installation is quick, easy and cost effective.



ELECTRICAL

CAT. SC7010B



ARCHITECTURAL AND ENGINEERING SPEC

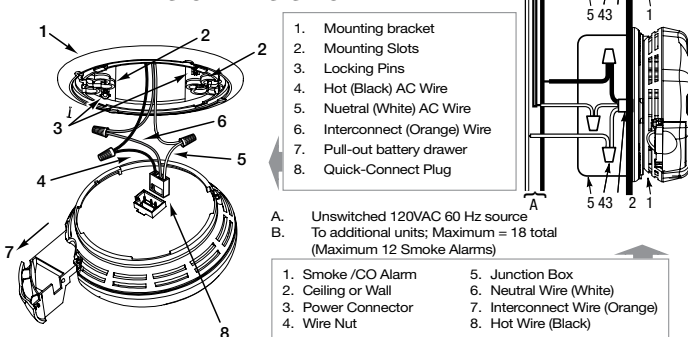
The combination smoke and carbon monoxide alarm shall be a BRK Model SC7010B and shall provide at a minimum the following features and functions:

1. A photoelectric smoke sensing chamber and an electrochemical CO sensor both with a 10 year service life.
2. Powered by 120V AC, 60Hz and have a monitored battery backup and a solid state piezo horn rated at 85dB at 10 ft. and shall be capable of self restoring. The horn shall have a lower and varying horn frequency to make it easier for the elderly with normal age related hearing loss to better hear the horn.
3. The unit shall have an "End of Life" signal (5 chirps). This signal should be capable of temporarily being silenced for up to 2 days. After about 2 days, the signal will resume. After about 2-3 weeks the signal cannot be silenced.
4. A visual power-on indicator to confirm unit is receiving AC power or has switched to battery backup mode. Separate LED's to indicate a smoke or CO alarm.
5. The CO sensor is adjusted not to detect CO levels below 30 PPM and will not alarm when exposed to constant levels of 30 PPM for 30 days. It will alarm at the following levels: 400 PPM CO between 4 and 15 minutes, 150 PPM CO between 10 and 50 minutes and 70 PPM CO between 60 and 240 minutes.
6. Two Latching features: Alarm Latch to easily identify initiating alarm after alarm condition has subsided. Low battery latch: to visually identify which unit is in low battery condition. Two Silence Features: Alarm Silence to temporarily silence nuisance alarms. Low Battery Silence to silence low battery chirp for up to 8 hours.
7. Two Locking features - tamper resistant locking pins that lock battery drawer and/or alarm to mounting bracket.
8. The unit shall be capable of operating between 40°F (4°C) and 100°F (38°C) and relative humidity between 10% and 95%.
9. The unit shall have a plug in connector and be capable of interconnection of up to 18 alarms, 12 of which can be smoke alarms.
10. The unit shall at a minimum meet the requirements of UL217 and UL2034, CSFM, NFPA 72 and 720 and the ICC.

INSTALLATION OF ALARM

Installation of this smoke alarm must conform to all local electrical codes and Article 760 of the National Electrical Code (NFPA 70) and NFPA 72. Interconnected units must meet the following requirements: Total length of wire interconnecting units should be less than 1000 feet, be #18 gauge or larger and be rated at least 300V. It is recommended that all units be on the same fuse or circuit breaker. If local codes do not permit, be sure the neutral wire is common to both phases.

THE PARTS OF THIS SMOKE ALARM



1. Mounting bracket
2. Mounting Slots
3. Locking Pins
4. Hot (Black) AC Wire
5. Neutral (White) AC Wire
6. Interconnect (Orange) Wire
7. Pull-out battery drawer
8. Quick-Connect Plug

- A. Unswitched 120VAC 60 Hz source
 B. To additional units; Maximum = 18 total (Maximum 12 Smoke Alarms)

1. Smoke /CO Alarm
2. Ceiling or Wall
3. Power Connector
4. Wire Nut
5. Junction Box
6. Neutral Wire (White)
7. Interconnect Wire (Orange)
8. Hot Wire (Black)

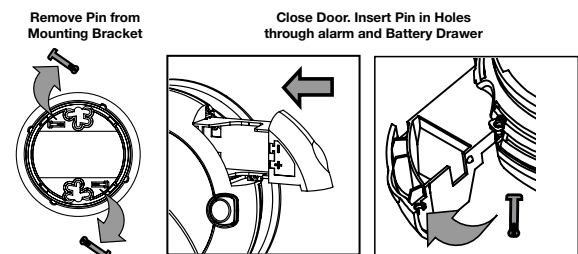
TECHNICAL SPECS

Alarm Dimensions:	5.0" dia. x 2.0"H
Weight:	9.3 oz
Operating Voltage:	120V AC 60Hz with 3V alkaline battery backup (two 1.5V)
Operating Current:	0.05 amps (standby/alarm)
Temperature Range:	40°F (4°C) to 100°F (38°C)
Humidity Range:	10% to 95% relative humidity (RH)
Audio Alarm:	85dB at 10 feet
Test/Silence:	Electronically simulates smoke or CO condition, causing the unit to alarm. Press and hold test/silence button.
Alarm Reset:	Automatic when smoke or CO clears
Interconnections:	Up to 18 units of First Alert or BRK Smoke, CO and Heat Alarms. Maximum of 12 smoke alarms. See user's manual for details.
Smoke Sensor:	Photoelectric
CO Sensor:	Electrochemical
Indicator Lights/Sounds:	
AC Power:	Constant Green LED
DC Power:	Intermittent Green LED
Local Alarm:	Red LED flashes rapidly
Remote Alarm:	Red LED off
Latching Alarm:	Red LED flashes every 5 seconds after local alarm
Low Battery Latch:	"Power" LED flashes green on for 2 sec, off for 2 sec
Listing:	Listed to UL217 and UL2034 Standards

SHIPPING SPECS

Individual Carton Dimensions	5.13"L x 2.38"W x 5.13"H
Weight	0.74 lbs.
Cube	0.04 ft3
UPC	0 29054 00228 0
Master Carton Dimensions	10.75"L x 7.88"W x 11.06"H
Master Pack	12
Weight	9.4 lbs.
Cube:	0.54 ft3
I2of5:	100 29054 00228 7
Pallet Information	
Cases per Layer	22
Number of Layers:	4
Cases per Pallet:	88
Units per Pallet:	1,056
Cube:	54.0 ft3
Weight:	892 lbs.

BATTERY DRAWER LOCK



©2015 BRK Brands, Inc. a Jarden Corporation
 Company (NYSE: JAH)
 3901 Liberty Street Road
 Aurora, IL 60504-8122
 All rights reserved

First Alert is a registered trademark of the First Alert Trust
 BRK is a registered trademark of BRK Brands, Inc.
 CM3234



GFTR1-W



UPC Code: 07847747971

Country Of Origin: China

NEMA:
5-15R



GFTR1-W

Brand Features

Peace of mind, all the time. The SmartlockPro Self-Test GFCI tests itself even if you forget. Designed to meet the latest UL standard for auto-monitoring (self-test) our complete line of self-test GFCIs periodically conduct an automatic internal test to confirm that it can respond to a ground fault. With the slimmest profile on the market, the device allows for fast and easy installation, while Leviton's patented reset lockout mechanism prevents reset of the GFCI if it is not wired or operating correctly. The SmartlockPro Self-Test GFCI is the smart choice in ground fault circuit interrupter protection.

Item Description

15 Amp, 125 Volt Receptacle/Outlet, 20 Amp Feed-Through, Tamper-Resistant, Self-test SmartlockPro GFCI, Monochromatic, back and side wired, nylon wallplate/faceplate, screws and self-grounding clip included - White

ELECTRICAL

Technical Information

AC Horsepower Ratings

At Rated Voltage: 1 HP

Electrical Specifications

Dielectric Voltage: Withstands 1250VAC per UL 943 and CSA-C22.2 No. 144.1-06

Temperature Rise: Max 30C after 100 cycles OL at 150 percent rated current

Short Circuit Current Rating: 10KA

Environmental Specifications

Operating Temperature: -35C to +66C

Flammability: Rated V-2 per UL94

Material Specifications

Face Material: Thermoplastic

Body Material: Polycarbonate

Terminal Screws: Plated Steel

Line Contacts: Brass Double Wipe .031 Thick

Yoke: Zinc-Plated Steel

Grounding Screw: Plated Steel

Clamps: Brass

Notes: w/ Wallplate

Mechanical Specifications

Product ID: Ratings are permanently marked on device

Terminal ID: Brass-Hot, Green-Ground, Silver-Neutral

Terminal Accom.: 14-10 AWG

Product Features

Strap Material: Galvanized Steel

Face Material: Thermoplastic

Grounding: Self Grounding

Warranty: 2-Year Limited

Color: White

Trip Level: Class A, 5mA plus or minus 1mA

Termination: Back & Side

Grade: Commercial

Wire: 3

Feature: Self-Test

NEMA: 5-15R

Body Material: Polycarbonate

Voltage: 125 Volt

Amperage: 15 Amp

Standards and Certifications: UL/CSA

Fed Spec WC-596: Yes

Pole: 2

Standards and Certifications

CSA C22.2 No. 42: Yes

UL 943: File E48380

CSA-C22.2 No. 144.1-06: File LR-57811

MIL-SPEC: A-A-55459-SB

Fed Spec WC-596: Yes

ANSI: C-73

UL498: Yes

NOM: Yes

NEMA: WD-6

ELECTRICAL

Features and Benefits

- Provides continuous ground fault protection – detects and trips on actual ground fault even when self-test is being conducted
- On initial power up, tests the GFCI within 3 seconds
- Auto-monitoring exceeds the UL requirement
- Auto adapts and shifts to more frequent testing if potential problem is detected
- Status Indicator Light provides simple, intuitive feedback on power and protection status as well as indication of line/load reversal
- Patented Lockout Action prevents reset if GFCI is damaged and cannot respond to a ground fault
- Electronics are designed to minimize any false triggers
- Reduced depth makes it easier to install in any electrical box, even shallow ones
- Terminals allow for easy wiring options – back and side wire capable
- External back wire clamps provide visual indication of proper wire seating
- Withstands high torque and resists wire pullout
- Standard brass self-grounding clip
- Trip threshold meets or exceeds UL requirements for tripping time
- Improved immunity to high-frequency noise reduces nuisance tripping
- Advanced electronics design provides superior resistance to electrical surges and over-voltages
- Compatible with all Decora devices and wallplates; available in select Decora colors
- UL Fed Spec WC-596 rated.

SPECIFICATION SUBMITTAL

JOB NAME: <input type="text"/>	CATALOG NUMBERS: <input type="text"/>	<input type="text"/>
JOB NUMBER: <input type="text"/>	<input type="text"/>	<input type="text"/>

Leviton Manufacturing Co., Inc.

201 North Service Road, Melville, NY 11747
Teléfono: +1-800-323-8920 · FAX: +1-800-832-9538 · Tech Line (8:30AM-7:30PM E.S.T. Monday-Friday): +1-800-824-3005

Leviton Manufacturing of Canada, Ltd.

165 Hymus Boulevard, Pointe Claire, Quebec H9R 1E9 · Telephone: +1-800-469-7890 · FAX: +1-800-824-3005 · www.leviton.com/canada

Leviton S. de R.L. de C.V.

Lago Tana 43, Mexico DF, Mexico CP 11290 · Tel.: (+52)55-5082-1040 · FAX: (+52)5386-1797 · www.leviton.com.mx

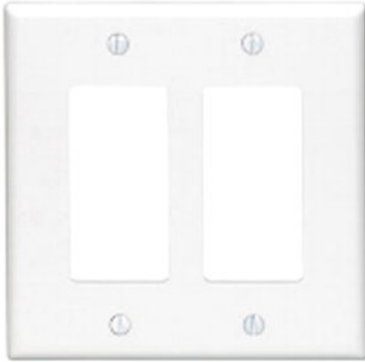
Visit our Website at: www.leviton.com

© 2012 Leviton Manufacturing Co., Inc. Todos los derechos reservados. Subject to change without notice.

Leviton has a global presence.

If you would like to know where your local Leviton office is located please go to:
www.leviton.com/international/contacts/





PJ262-W

Brand Features

Leviton Decora Designer Wallplates — available in a wide spectrum of colors and styles — can add subtle elegance to any home. Sleek, versatile and convenient, they also come in a midway size that gives even greater coverage, and can hide unsightly wall surface irregularities. All Leviton Decorative Wallplates can stand up to heavy use while coordinating perfectly with paint or wall coverings. Think of them as the finishing touch to giving a home its signature look.

Item Description

2-Gang Decora/GFCI Device Decora Wallplate/Faceplate, Midway Size, Thermoplastic Nylon, Device Mount, - White

Technical Information

Product Features

Standards and Certifications: UL/CSA

Type: Midway Size

Warranty: 10-Year Limited

Gang: 2

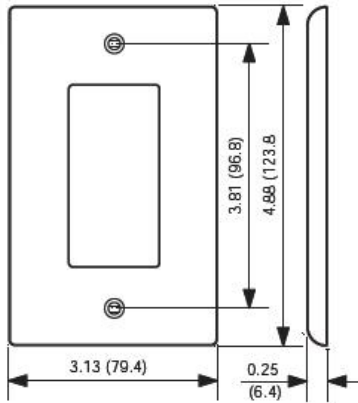
Material: Thermoplastic Nylon

Color: White

Mount: Device

Color: White

UPC Code: 07847795786



NOTE: Add 1.81" (46.0mm) for each additional gang.

SPECIFICATION SUBMITTAL

JOB NAME: <input type="text"/>	CATALOG NUMBERS: <input type="text"/>	
JOB NUMBER: <input type="text"/>	<input type="text"/>	<input type="text"/>

ELECTRICAL

Leviton Manufacturing Co., Inc.

201 North Service Road, Melville, NY 11747

Teléfono: +1-800-323-8920 · FAX: +1-800-832-9538 · Tech Line (8:30AM-7:30PM E.S.T. Monday-Friday): +1-800-824-3005

Leviton Manufacturing of Canada, Ltd.

165 Hymus Boulevard, Pointe Claire, Quebec H9R 1E9 · Telephone: +1-800-469-7890 ·

FAX: +1-800-824-3005 · www.leviton.com/canada

Leviton S. de R.L. de C.V.

Lago Tana 43, Mexico DF, Mexico CP 11290 · Tel.: (+52)55-5082-1040 · FAX: (+52)5386-

1797 · www.leviton.com.mx

Visit our Website at: www.leviton.com

© 2018 Leviton Manufacturing Co., Inc. Todos los derechos reservados. Subject to change without notice.

Leviton has a global presence.

If you would like to know where your local Leviton office is located please go to:

www.leviton.com/international/contacts/





T5320-W



UPC Code: 07847738161

Country Of Origin: United States

* Eligible for ARRA funded projects

NEMA:
5-15R



Made in USA



T5320-W

Brand Features

Leviton's duplex receptacles are designed for a chic appearance, quick installation and durability. The impact-resistant thermoplastic design allows for a long service life and high performance in homes, offices, schools and other settings.

Item Description

15 Amp, 125 Volt, NEMA: 5-15R, Pole: 2, 3-Wire, Tamper-Resistant, Duplex Receptacle/Outlet, Straight Blade, Grounding, Quickwire Push-In & Side, Standards and Certifications: UL/CSA, Warranty: 2 Year Limited, Color: White, NEC compliant

Technical Information

Product Features

Grounding: Grounding

Warranty: 2 Year Limited

Color: White

Device Type: Duplex Receptacle

Termination: Quickwire Push-In & Side

Wire: 3-Wire

Feature: Tamper-Resistant

NEMA: 5-15R

Blade Type: Straight Blade

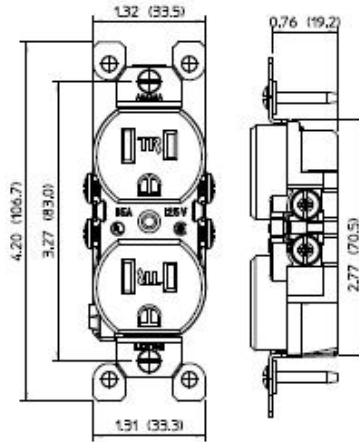
Voltage: 125 Volt

Amperage: 15 Amp

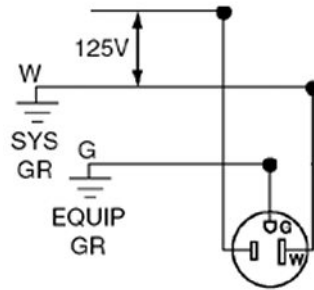
Standards and Certifications: UL/CSA

Pole: 2

ELECTRICAL



Wiring Diagram



5-15R

SPECIFICATION SUBMITTAL

JOB NAME:	CATALOG NUMBERS:	
<input type="text"/>	<input type="text"/>	<input type="text"/>
JOB NUMBER:	<input type="text"/>	<input type="text"/>

Leviton Manufacturing Co., Inc.
 201 North Service Road, Melville, NY 11747
 Teléfono: +1-800-323-8920 · FAX: +1-800-832-9538 · Tech Line (8:30AM-7:30PM E.S.T. Monday-Friday): +1-800-824-3005

Leviton Manufacturing of Canada, Ltd.
 165 Hymus Boulevard, Pointe Claire, Quebec H9R 1E9 · Telephone: +1-800-469-7890 · FAX: +1-800-824-3005 · www.leviton.com/canada

Leviton S. de R.L. de C.V.
 Lago Tana 43, Mexico DF, Mexico CP 11290 · Tel.: (+52)55-5082-1040 · FAX: (+52)5386-1797 · www.leviton.com.mx

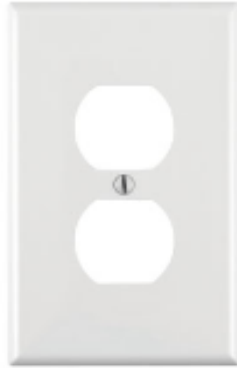
Visit our Website at: www.leviton.com
 © 2012 Leviton Manufacturing Co., Inc. Todos los derechos reservados. Subject to change without notice.

Leviton has a global presence.
 If you would like to know where your local Leviton office is located please go to:
www.leviton.com/international/contacts/



ELECTRICAL

Leviton is the smart choice, providing the most comprehensive range of solutions to meet the needs of today's residential, commercial and industrial buildings. Leveraging more than a century of experience, Leviton helps customers create sustainable, intelligent environments through its electrical wiring devices, network and data center connectivity solutions, and lighting energy management systems. From switches and receptacles, to daylight harvesting controls, networking systems, and equipment for charging electric vehicles, Leviton solutions help customers achieve savings in energy, time and cost, all while enhancing safety.



PJ8-W

Brand Features

Familiar and functional, Leviton Traditional Wallplates are designed for use with Traditional Leviton devices. They represent styles and form factors that have stood the test of time. Their clean lines work in virtually any location, whether in new or retrofit construction, and they install quickly and easily. Leviton offers Traditional Wallplates in a vast array of colors and configurations.

Item Description

1-Gang Duplex Device Receptacle Wallplate, Midway Size, Thermoplastic Nylon, Device Mount, - White

Technical Information

Product Features

Mount: Device

Standards and Certifications: UL/CSA

Type: Midway Size

Warranty: 10-Year Limited

Gang: 1

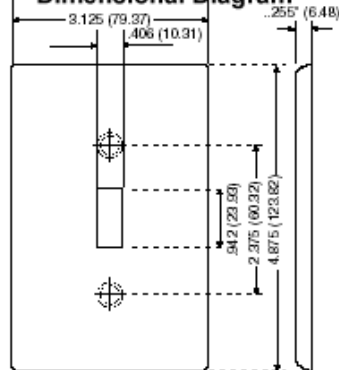
Material: Thermoplastic Nylon

Color: White

Color: White

UPC Code: 07847715348

Dimensional Diagram



SPECIFICATION SUBMITTAL

JOB NAME: <input type="text"/>	CATALOG NUMBERS: <input type="text"/>	
JOB NUMBER: <input type="text"/>	<input type="text"/>	<input type="text"/>

Product Details and Specifications



15 Amp Rocker Switch, White

SP SWCH WHIT 15A DECO

ALT CODE : L56012W

ITEM# : 4374316

DESCRIPTION

- CSA certified
- Quickwire® push-in & side wired
- Residential 15A 120/277VAC
- Single pole
- UL listed
- Ultrasonic welded construction

SPECIFICATIONS

AMP	15
Collection	Decora®
Color/Finish	White
Color/Finish Category	Whites
CSA Certified	Yes
Material	Plastic
Material Type	Thermoplastic
Type	L56012W
UL Listed	Yes
Volts	120/277V

DETAILS

ALT.CODES2	L56012WEA
ALTCODE	L56012W
DEFAULT VENDOR	VENDOR ALPHA : LEVITON (285) VENDOR NAME : LEVITON MFG CO INC (285)
DEPT DESC	RES - LIGHTING (2)
DISC GROUP DESC	LEVITON RESID WIRING DEVICES (7193)
FREIGHT CODE	CL100
GLBL PROD HIER	11070306
LINEBUY DESC	LEVITON (3987)
LONG DESCRIPTION	Shop Prime Switch White 15A Decora
MASTER PRODUCT ID	4374316
PARCEL RESTRICT FLAG	A
PER QTY	1

ELECTRICAL

PRODUCT DESC2	*CAT
SELL MULTIPLIER	1
SHORT DESCRIPTION	SP SWCH WHIT 15A DECO
UOM	EA
UPC CODE	078477517086
VENDOR PROD CODE	5601-2W



5603-2W

Item Description

15 Amp, 120/277 Volt, Decora Rocker 3-Way AC Quiet Switch, Residential Grade, Grounding, Quickwire Push-In & Side Wired - White

Technical Information

Product Features

Grounding: Grounding

Amperage: 15 Amp

Voltage: 120/277 Volt

HP Rating: 1/2HP-120V 2HP-240V-277V

Max. Amperage: 12 Amp

Termination: Quickwire Push-In & Side

Actuator Material: Thermoplastic

Body Material: Thermoplastic

Strap Material: Steel

Color: White

Standards and Certifications: UL/CSA

Warranty: 2 Year Limited

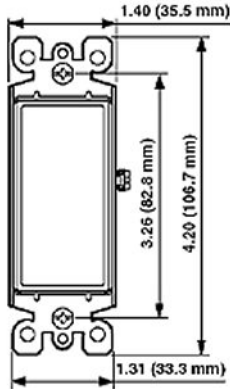
Color: White

UPC Code: 07847751728

Country Of Origin: United States

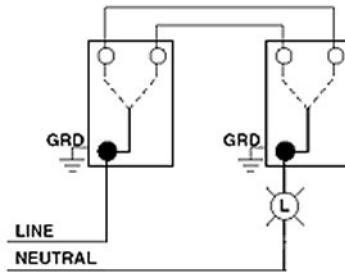
ELECTRICAL

Dimensional Diagram



Wiring Diagram

3-Way to 3-Way



SPECIFICATION SUBMITTAL

JOB NAME:	CATALOG NUMBERS:	
<input type="text"/>	<input type="text"/>	<input type="text"/>
JOB NUMBER:	<input type="text"/>	<input type="text"/>

Leviton Manufacturing Co., Inc.

201 North Service Road, Melville, NY 11747

Teléfono: +1-800-323-8920 · FAX: +1-800-832-9538 · Tech Line (8:30AM-7:30PM E.S.T. Monday-Friday): +1-800-824-3005

Leviton Manufacturing of Canada, Ltd.

165 Hymus Boulevard, Pointe Claire, Quebec H9R 1E9 · Telephone: +1-800-469-7890 ·

FAX: +1-800-824-3005 · www.leviton.com/canada

Leviton S. de R.L. de C.V.

Lago Tana 43, Mexico DF, Mexico CP 11290 · Tel.: (+52)55-5082-1040 · FAX: (+52)5386-

1797 · www.leviton.com.mx

Visit our Website at: www.leviton.com

© 2018 Leviton Manufacturing Co., Inc. Todos los derechos reservados. Subject to change without notice.

Leviton has a global presence.

If you would like to know where your local Leviton office is located please go to:

www.leviton.com/international/contacts/





PJ26-W

Brand Features

Leviton Decora Designer Wallplates — available in a wide spectrum of colors and styles — can add subtle elegance to any home. Sleek, versatile and convenient, they also come in a midway size that gives even greater coverage, and can hide unsightly wall surface irregularities. All Leviton Decorative Wallplates can stand up to heavy use while coordinating perfectly with paint or wall coverings. Think of them as the finishing touch to giving a home its signature look.

Item Description

1-Gang Decora/GFCI Device Decora Wallplate, Midway Size, Thermoplastic Nylon, Device Mount, - White

Technical Information

Product Features

Standards and Certifications: UL/CSA

Type: Midway Size

Warranty: 10-Year Limited

Gang: 1

Material: Thermoplastic Nylon

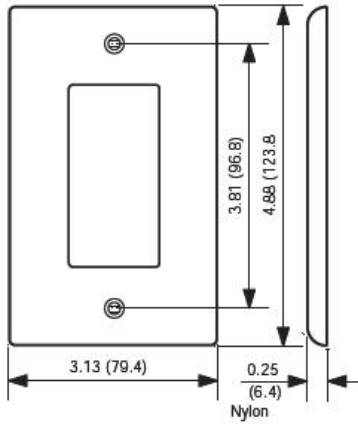
Color: White

Mount: Device

Color: White

UPC Code: 07847715361

Country Of Origin: United States



SPECIFICATION SUBMITTAL

JOB NAME:	CATALOG NUMBERS:	
<input type="text"/>	<input type="text"/>	<input type="text"/>
JOB NUMBER:	<input type="text"/>	<input type="text"/>

PJ263-W



UPC Code: 07847795796

Country of Origin: Please Contact Customer Service

Wallplates

Brand Features

Leviton Decora Designer Wallplates — available in a wide spectrum of colors and styles — can add subtle elegance to any home. Sleek, versatile and convenient, they also come in a midway size that gives even greater coverage, and can hide unsightly wall surface irregularities. All Leviton Decorative Wallplates can stand up to heavy use while coordinating perfectly with paint or wall coverings. Think of them as the finishing touch to giving a home its signature look.

Item Description

3-Gang Decora/GFCI Device Decora Wallplate, Midway Size, Thermoplastic Nylon, Device Mount, - White

Technical Information

Product Features

Type: Midway Size

Gang: 3

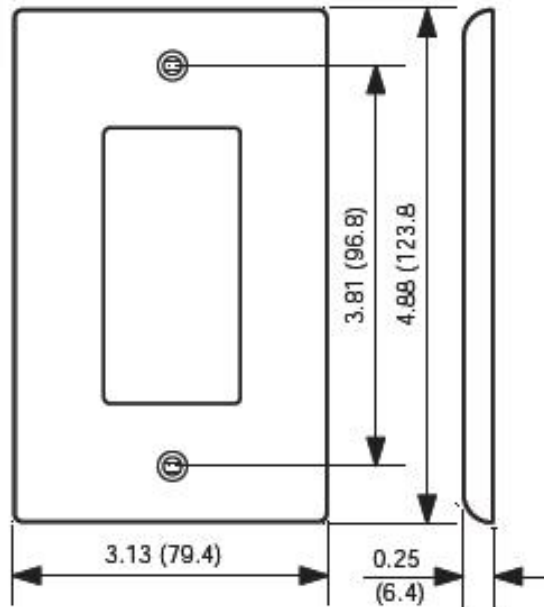
Material: Thermoplastic Nylon

Color: White

Mount: Device

Standards and Certifications: UL/CSA

Warranty: 10-Year Limited



NOTE: Add 1.81" (46.0mm) for each additional gang.



40249-W



40249-W

Item Description

Standard Telephone Wall Jack, 6P4C, Screw Terminals, White

Technical Information



UPC Code: 07847727783

Country Of Origin: United States

* Eligible for ARRA funded projects

Made in USA



SPECIFICATION SUBMITTAL

JOB NAME: <input type="text"/>	CATALOG NUMBERS: <input type="text"/>	
JOB NUMBER: <input type="text"/>	<input type="text"/>	<input type="text"/>

Leviton Manufacturing Co., Inc.

201 North Service Road, Melville, NY 11747

Teléfono: +1-800-323-8920 · FAX: +1-800-832-9538 · Tech Line (8:30AM-7:30PM E.S.T. Monday-Friday):
+1-800-824-3005

Leviton Manufacturing of Canada, Ltd.

165 Hymus Boulevard, Pointe Claire, Quebec H9R 1E9 · Telephone: +1-800-469-7890 ·
FAX: +1-800-824-3005 · www.leviton.com/canada

Leviton S. de R.L. de C.V.

Lago Tana 43, Mexico DF, Mexico CP 11290 · Tel.: (+52)55-5082-1040 · FAX: (+52)5386-
1797 · www.leviton.com.mx

Visit our Website at: www.leviton.com

© 2012 Leviton Manufacturing Co., Inc. Todos los derechos reservados. Subject to change without notice.

Leviton has a global presence.

If you would like to know where your local Leviton office is located please go to:
www.leviton.com/international/contacts/



**Leviton is the smart choice, providing the most comprehensive range of solutions to meet the needs of today's residential, commercial and industrial buildings. Leveraging more than a century of experience, Leviton helps customers create sustainable, intelligent environments through its electrical wiring devices, network and data center connectivity solutions, and lighting energy management systems. From switches and receptacles, to daylight harvesting controls, networking systems, and equipment for charging electric vehicles, Leviton solutions help customers achieve savings in energy, time and cost, all while enhancing safety.*

INTERIOR LIGHTING



ROYALPACIF R1045LED
MIRAGE IV 52" 5 BLD FAN W/CHAIN
*Energy Star



MISENO FLSATLOLEDCTBN
BN LED SATURN LARGE OVAL CCT
*Energy Star



KICHLER KK43848WHLED30T
WHIT 1 15W LED CEIL LGHT *SIGNAT
*Energy Star



PROGRESS PP36320930K9
BN 1 29W LED CEIL LGHT *PORTAL
*Energy Star



MISENO FLSAT14LEDCTBN
BN LED SATURN 14 CCT
*Energy Star



MISENO FLWL120LED30BN
LED WALL SCNCE 3K BN
*Energy Star

INTERIOR LIGHTING



AFXLIGHT AT5L224RWH
CCY T5L 9W LED UNCAB LGHT WHIT
*Energy Star



MISENO FLVL1000L24LED30BN
2FT LED LIN BATH LGHT 3K BN
*Energy Star



MISENO FLEL110LED30G
OUTDR LED SCNCE GREYSTONE
*Energy Star



PROGRESS PP56413130K
BLAC 1 29W LED LNTRN WM *CYLIND



PROGRESS PP56300102030K
ANBR 1 12W LED LNTRN WM
*Energy Star



LITHONIA LDSXF1LEDP140KM4
8-7/8" WIDE 2 LIGHT 21W OUTDOOR LED

INTERIOR LIGHTING



ROYALPACIF RRXL33RW
CCY EDGE LGHT EXIT REC MNT SGL FACE



ELCOLIGHT EEE80L
2 LIGHT 4" TALL INTEGRATED LED COMM



ROYALPACIF RRH22
CCN DAMP DBL REM HD 2W LED 6000K



ROYALPACIF RRXEL39RW
RED/WHIT LED EMERG EXIT LGHT



LITHONIA L33482L32WWRAP
2 F32T8 INDR GP WRAP AROUND
*Energy Star



LITHONIA LIGHTING LCPANL2X2 33LM SWW7
120 TD DCMK
CPANL 2X2 33LM SWW7 120 TD DCMK
*Energy Star

INTERIOR LIGHTING



PROGRESS PP35013500930
BN 1 LED CEIL LGHT

INTERIOR LIGHTING

9211711
FLSATLOLEDCCCTBN

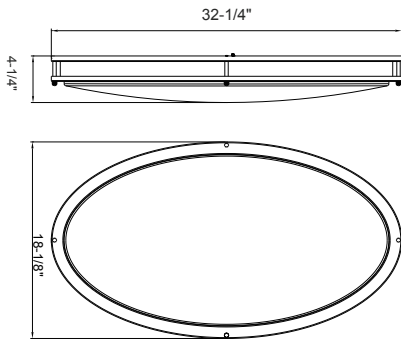


LED SATURN LIGHT



PRODUCT SPECIFICATIONS

FEATURES	LED SATURN LARGE OVAL 5CCT Selectable
Part Number	FLSATLOLEDCCCTBN
Finish	Brushed Nickel
Shade	White Acrylic
Kelvin Temp (CCT)	CCT selectable-2700K/3000K/3500K/4000K/5000K
Product Dimensions	32-1/4" L x 18-1/8" W x 4-1/4" H
Product Weight	7.3 lbs
Bulb Type	Integrated LED Module
Bulb Included	Yes
LED Type	2835
CRI	90
Lumens	2400
Efficacy	71 lm/W
Dimmable	Yes
Wattage	34W
Equivalent Wattage	Incandescent - 150W
Voltage	120-277V
Average hour life	50,000 hrs
Min/Max Ambient Temp	- 20°C~40°C
Product Material	Steel, Acrylic
Location Listing	Damp
Certifications	ETL, Energy Star, Title 24/JA8-2019, FCC



FLSATLOLEDCCCTBN

- LED Saturn Light
- 5 Year Warranty
- Integrated Led Module
- 5CCT Selectable



SPECIFICATION:

Light Fixture shall be 9211711/FLSATLOLEDCCCTBN, LED SATURN LARGE OVAL, 5CCT selectable

INTERIOR LIGHTING

Downlight Gen II 3000K T24 LED Flush Mount White

43848WHLED30T

© 2021 Kichler Lighting LLC. All Rights Reserved.

SPECIFICATIONS

Certifications / Qualifications	
Commercial Grade	Yes

Certifications/Qualifications	
ADA Compliant	Yes
Energy Star	Yes
Title 24 Compliant	Yes
	www.kichler.com/warranty

Dimensions	
Base Backplate	7.50 DIA
Weight	0.50 LBS
Height from center of Wall opening (Spec Sheet)	3.75"
Height	1.25"
Width	7.50"

Electrical	
Input Voltage	Single(120)V
Supply Wire (Degrees)	90

Light Source	
Delivered Lumens	1000
Dimmable	Yes
Dimmable Notes	This LED is compatible with most standard incandescent dimmers, LED dimmers, and electronic low voltage dimmers. For more information, go to Kichler.com/dimming .
Equivalent Light Source	Incandescent
Expected Life Span (Hours)	40000
Lamp Included	Integrated
Light Source	LED
Max or Nominal Watt	18.5W
# of Bulbs/LED Modules	1

Mounting/Installation	
Mountable on Wall or Ceiling	Yes
Interior/Exterior	Interior
Location Rating	Wet
Mounting Style	Flush Mount
Mounting Weight	0.50 LBS




Photometrics	
Color Rendering Index	90
Kelvin Temperature	3000K

FIXTURE ATTRIBUTES

Housing	
Diffuser Description	White Polycarbonate
Primary Material	STEEL

Product/Ordering Information	
SKU	43848WHLED30T
Finish	White
Style	Other
UPC	783927531702

Finish Options

-  Brushed Nickel
-  Olde Bronze
-  White



ALSO IN THIS FAMILY



INTERIOR LIGHTING



Project: _____

Fixture Type: _____

Location: _____

Contact: _____

PORTAL

Ceiling mount • Damp location listed



Specifications:

Description:

The P3632 features a 120V alternating current (AC) source which eliminates the need for a traditional LED driver.

Construction:

Brushed Nickel (-09) (plated)
 Steel construction
 LED Module is replaceable (part #)
 Flicker-free dimming to 10% brightness with most ELV type dimmers
 (See Dimming Notes)
 Title 24 compliant
 Chassis covers a standard 4" hexagonal recessed outlet box
 Mounting strap for outlet box included
 Six inches of wire supplied

Performance:

Number of Modules	1
Input Power	29W
Input Voltage	120V
Input Frequency	60Hz
Lumens/LPW	2197/75.8 (LM-79) per module
CCT	3000K
CRI	90+
Life	60000 (L70/TM-21)
EMI/RFI	FCC Title 47, Part 15, Class B
Min. Start Temp	-30° C
Max. Operating Temp	30° C
Warranty	5 year warranty
Labels	cCSAus Damp location listed ENERGY STAR® qualified

P3632-0930K9

Images:



Dimensions:

Diameter: 13"
 Height: 2-1/2"



Catalog number:

Base	Finish	Color Temp	CRI
P3632	09 - Brushed Nickel	30K - 3000K	9 - 90+ CRI

INTERIOR LIGHTING



PORTAL

Ceiling mount • Damp location listed



P3632-0930K9

Dimming Notes:

P3632 is designed to be compatible with many Electronic Low Voltage (ELV-Reverse Phase) controls.

The following is a partial list of known compatible dimmer controls:

Electronic Low Voltage ELV Reverse Phase Controls

Lutron	Diva Series	(Part Number DVELV-300P)
Lutron	Nova T Series	(Part Number NTELV-300)
Lutron	Vierti Series	(Part Number VTELV-600)
Lutron		(Part Number MAELV-600)
Lutron		(Part Number SPELV-600)
Leviton		(Part Number AWRMG-EAW)
Leviton		(Part Number 6615-P)

Digital type dimmers are not recommended.

Dimming capabilities will vary depending on the dimmer control, load, and circuit installation.

Always refer to dimmer manufacturer instructions or a controls specialist for specific requirements.

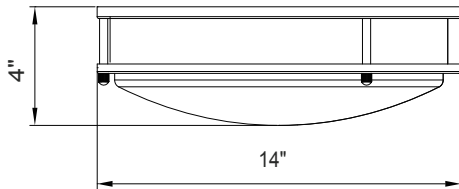
Dimmer control brand names where identified above are trade names or registered trademarks of each respective company.

INTERIOR LIGHTING

9211719
FLSAT14LEDCCTBN



LED SATURN LIGHT



PRODUCT SPECIFICATIONS

FEATURES	14" LED Saturn Light 5CCT Selectable
Part Number	FLSAT14LEDCCTBN
Finish	Brushed Nickel
Shade	White Acrylic
Kelvin Temp (CCT)	CCT selectable-2700K/3000K/3500K/4000K/5000K
Product Dimensions	14" Dia. x 4" H
Product Weight	1.39 lbs
Bulb Type	Integrated LED Module
Bulb Included	Yes
LED Type	2835
CRI	90
Lumens	1400
Efficacy	70 lm/W
Dimmable	Yes
Wattage	20W
Equivalent Wattage	Incandescent - 75W
Voltage	120V
Average hour life	50,000 hrs
Min/Max Ambient Temp	- 20°C~40°C
Product Material	Steel, Acrylic
Location Listing	Damp
Certifications	ETL, Energy Star, Title 24/JA8-2019, FCC

FLSAT14LEDCCTBN

- LED Saturn Light
- 5 Year Warranty
- Integrated Led Module
- 5CCT Selectable



SPECIFICATION:

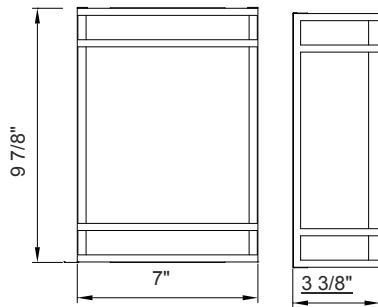
Light Fixture shall be 9211719/FLSAT14LEDCCTBN, 14" LED Saturn Light 5CCT selectable"

INTERIOR LIGHTING

9211701
FLWL120LED30BN



INDOOR LED WALL SCONCE



PRODUCT SPECIFICATIONS

FEATURES	LED Indoor Wall Sconce
Part Number	FLWL120LED30BN
Finish	Brushed Nickel
Shade	White Acrylic
Kelvin Temp (CCT)	3000K
Product Dimensions	7" W x 9-7/8" H
Extension	3-3/8"
Product Weight	1.6 lbs
Bulb Type	Integrated LED Module
Bulb Included	Yes
LED Type	2835
CRI	90
Lumens	600
Efficacy	60 lm/W
Dimmable	YES
Wattage	10W
Equivalent Wattage	Incandescent - 40W
Voltage	120V
Average hour life	50,000 hrs
Min/Max Ambient Temp	- 20°C~ 40°C
Product Material	Aluminum, Steel, Acrylic
Location Listing	Damp
Certifications	ETL, Energy Star, Title 24/JA8-2019, FCC

FLWL120LED30BN

- LED Indoor Wall Sconce
- 5 Year Warranty
- Integrated Led Module
- Suitable For Damp Location
- ADA compliant



SPECIFICATION:

Light Fixture shall be 9211701/FLWL120LED30BN, LED Indoor Wall Sconce

INTERIOR LIGHTING



LED Undercabinet T5L2 Series

Features

All purpose direct wire LED undercabinet light. Low profile applications include kitchens, study areas, displays and computer stations. Standard knockouts are located on top, back and ends for direct connection. A direct wire UL listed connector is included for use with 3/8" flexible conduit or 3-wire Romex.

Construction

Housing is die-formed of 22-gauge steel. Separate hinge service tray allows for easy installation and snaps into position without hardware. Power supply connections must be made inside the fixture.

Finish

All exposed metal parts are post painted lighting grade white or oil-rubbed bronze paint.

Diffuser

Smooth white acrylic diffuser snap-fits into housing.

Electrical

Input 120 VAC/60 Hz.
Compatible with TRIAC and ELV dimmers.
On/off switch included.

LED

Integrated LED in 3000K color temperature.
Rated 50,000 hrs., 90 CRI.

Certification

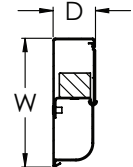
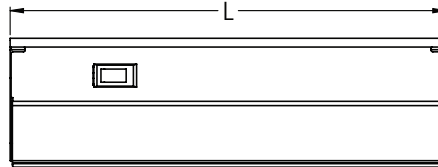
Fixtures are cETLus listed for indoor damp locations.
ENERGY STAR® Qualified.
T24-JA8 compliant.

Warranty

Limited warranty: This fixture is free from defects in materials and workmanship for a period of 5 years from date-of-purchase.

Specifications and dimensions
subject to change without notice.

LOCATION		DATE
PREPARED BY		QUANTITY
COMMENTS		FIXTURE TYPE
CATALOG NUMBER		



Ordering Information:

Size	White	Oil-Rubbed Bronze	Type	Lumens	L	W	D
9 in.	T5L2-9RWH		4.5W SMT-Array	260	9"	3-1/2"	1-1/8"
12 in.	T5L2-12RWH	T5L2-12RRB	4.5W SMT-Array	270	12"	3-1/2"	1-1/8"
18 in.	T5L2-18RWH	T5L2-18RRB	9W SMT-Array	520	18"	3-1/2"	1-1/8"
21 in.	T5L2-21RWH	T5L2-21RRB	9W SMT-Array	530	21"	3-1/2"	1-1/8"
24 in.	T5L2-24RWH	T5L2-24RRB	9W SMT-Array	540	24"	3-1/2"	1-1/8"
33 in.	T5L2-33RWH	T5L2-33RRB	13.5W SMT-Array	810	33"	3-1/2"	1-1/8"
42 in.	T5L2-42RWH	T5L2-42RRB	18W SMT-Array	1080	42"	3-1/2"	1-1/8"

INTERIOR LIGHTING

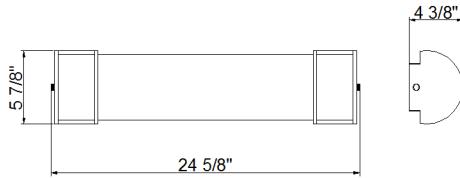
9211712

FLVL1000L24LED30BN



LED VANITY LIGHT

PRODUCT SPECIFICATIONS



FEATURES	24" LED VANITY LIGHT
Part Number	FLVL1000L24LED30BN
Finish	Brushed Nickel
Shade	White Acrylic
Kelvin Temp (CCT)	3000K
Product Dimensions	24-5/8" L x 5-7/8" H
Extension	4-3/8"
Product Weight	4.2 lbs
Bulb Type	Integrated LED Module
Bulb Included	Yes
LED Type	2835
CRI	90
Lumens	2000
Efficacy	86 lm/W
Dimmable	0-10V
Wattage	23W
Equivalent Wattage	Incandescent-180W
Voltage	120-277V
Average hour life	50,000 hrs
Min/Max Ambient Temp	-20°C~40°C
Product Material	Steel, Aluminum, Acrylic
Location Listing	Damp
Certifications	ETL, Energy Star, Title 24/JA8-2019, FCC

FLVL1000L24LED30BN

- LED Vanity Light
- Integrated Led Module
- Suitable For Damp Location
- 5 Year Warranty
- Can be Hung Vertical or Horizontal



SPECIFICATION:

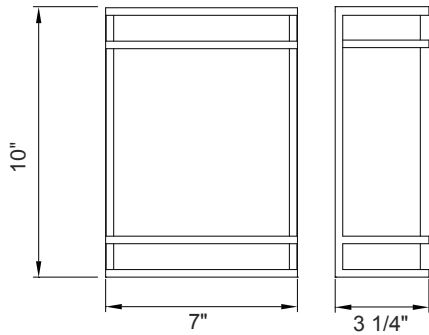
Light Fixture shall be 9211712/FLVL1000L24LED30BN, LED Vanity Light

INTERIOR LIGHTING

9211725
FLEL110LED30G



OUTDOOR LED WALL SCONCE



PRODUCT SPECIFICATIONS

FEATURES	LED Outdoor Wall Sconce
Part Number	FLEL110LED30G
Finish	Greystone
Shade	White Acrylic
Kelvin Temp (CCT)	3000K
Product Dimensions	7" W x 10" H"
Extension	3-1/4"
Product Weight	1.8 lbs
Bulb Type	Integrated LED Module
Bulb Included	Yes
LED Type	2835
CRI	90
Lumens	500
Efficacy	50 lm/W
Dimmable	Yes
Wattage	10W
Equivalent Wattage	Incandescent - 40W
Voltage	120V
Average hour life	50,000 hrs
Min/Max Ambient Temp	- 20°C~40°C
Product Material	Aluminum, Steel, Acrylic
Location Listing	Wet
Certifications	ETL, Energy Star, Title 24/JA8-2019, FCC

FLEL110LED30G

- LED Outdoor Wall Sconce
- 5 Year Warranty
- Integrated Led Module
- Suitable For Wet Location
- ADA compliant



SPECIFICATION:

Light Fixture shall be 9211725/FLEL110LED30G , LED Outdoor Wall Sconce

INTERIOR LIGHTING



Project: _____

Fixture Type: _____

Location: _____

Contact: _____

3IN Wall Mount Up/ Down Cylinder

Wall mounted • Wet location listed **PROGRESS LED**

Description:

Sleek, cylindrical forms in elegant finish selections. Die-cast aluminum wall brackets and heavy-duty aluminum framing. Fade and chip-resistant. CSA listed for wet locations. Can be used indoor or outdoor. Ideal for residential and commercial applications.

Specifications:

- Antique Bronze (-020) (painted)
- Aluminum Construction
- Clear glass lens
- 3" LED wall mount up/downlight cylinder
- This sleek, contemporary cylinder is ideal for indoor or outdoor applications
- An Antique Bronze finish complements a variety of exteriors
- Warm white, 3000K, color temperature, 90 CRI
- 1484 lumens, 62 lumens per watt (delivered)
- Die Cast Aluminum construction with durable powder coated finish
- Dimmable to 10% brightness (See Dimming Notes)
- Back plate covers a standard 4" octagonal recessed outlet box
- Mounting strap for outlet box included
- 6" of wire supplied
- ENERGY STAR® qualified
- Meets California Title 24 JA8-2016

Performance:

Number of Modules	2
Input Power	24w per module
Input Voltage	120 V
Input Frequency	60 Hz
Lumens/LPW (Delivered)	1484/62 (LM-79)
CCT	3000 K
CRI	90 CRI
Life (hours)	50,000 (L70/TM-21)
FCC	FCC Title 47, Part 15, Class B
Min. Start Temp	-10 °C
Max. Operating Temp	40 °C
Warranty	5 year warranty
Labels	CSA Wet location listed ENERGY STAR® qualified Meets California Title 24 JA8-2016

P563001-020-30K

Images:



Dimensions:

Width: 4-1/2"
Depth: 5-1/2"
Height: 8-1/4"
H/CTR: 5"

INTERIOR LIGHTING



3IN Wall Mount Up/ Down Cylinder

Wall mounted • Wet location listed **PROGRESS LED**



Photometrics:

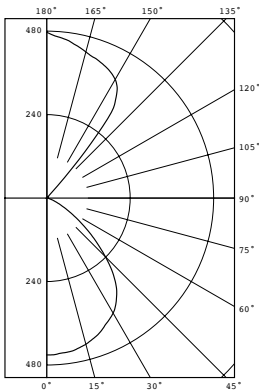
P563001-020-30K

ELECTRICAL DATA	P563001-020-30K
Input Voltage	120 V
Input Frequency	60 Hz
Input Current	0.202 A
Input Power	24
Power Factor	
THD	<20%
FCC	FCC Title 47, Part 15, Class B
Operating Temperature	-10 °C to 40 °C
Dimming	Yes*

*See Dimming Notes for more information

P563001-020-30K

LED Light Engine: 3000 K 90 CRI
 System Wattage: 24
 Fixture delivered lumens: 1484
 Fixture Efficacy: 62
 Spacing Criteria: 1.25



Test 17.02586 Test Date 10/10/17

CANDELA DISTRIBUTION

DEG	CANDELA	LUMENS
0	451	
5	448	43
15	435	123
25	401	185
35	350	218
45	239	183
55	113	103
65	39	40
75	10	12
85	1	1
90	0	
95	0	0
105	1	1
115	1	1
125	4	3
135	6	16
145	345	198
155	412	190
165	435	123
175	463	44
180	477	

ZONAL LUMEN SUMMARY

ZONE	LUMENS	%FIXT
0-30	351	23.6
0-40	568	38.3
0-60	855	57.6
0-90	908	61.2
90-120	2	0.1
90-130	6	0.4
90-150	220	14.8
90-180	576	38.8
0-180	1484	100.0

INTERIOR LIGHTING



3IN Wall Mount Up/ Down Cylinder

Wall mounted • Wet location listed PROGRESS LED



P563001-020-30K

Dimming Notes:

P563001 is designed to be compatible with many Triac/Forward Phase controls.

The following is a partial list of known compatible dimmer controls.

Dimming Controls

Lutron DVELV-300P

Lutron Caseta Wireless

Leviton 6672

Lutron AYCL-153P

Lutron TGCL-153-PH-WH

Dimming capabilities will vary depending on the dimmer control, load, and circuit installation. Always refer to dimmer manufacturer instructions or a controls specialist for specific requirements.

Dimmer control brand names where identified above are trade names or registered trademarks of each respective company.

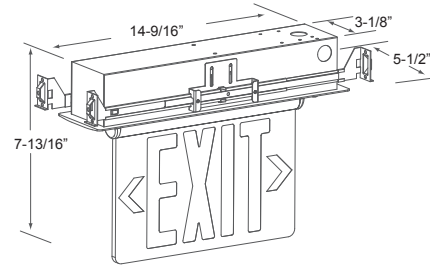
INTERIOR LIGHTING

RXL33 Series

120V/277V

Catalog #:		Type
Project:		Date
Prepared by:		

Recessed Exit Sign - Single Face



LED Emergency Exit

DESCRIPTION

When normal utility power fails, the internal solid-state transfer switch automatically connects the internal battery to the LED lamps, lighting a path of egress for no less than 90 minutes. When utility power is restored the battery is recharged by the onboard solid-state recharger. Full recharge is accomplished within 24 hours.

DESIGN FEATURES

Construction

- High impact-flame retardant thermoplastic faceplate
- Clear acrylic faceplate
- Recessed, low-profile design
- Completely self-contained
- Fully automatic operation

Electrical

- 120/277V
- Operating temperature: 10°C (50°F) to 40°C (104°F)
- Contains 4.8V Ni-cd rechargeable battery
- Automatic, low voltage disconnect protects battery from deep discharge
- Energy consumption of less than 5 watts
- Estimated 25 year LED lamp life
- 90 minutes of illumination in case of power failure

Installation

- Included bar hanger allow the recessed housing to be positioned at any point within a 24" joist span
- Exit panel will pivot up to 90° for recessed wall or sloped ceiling installation
- Removable directional indicators included
- Easy, one-person installation

Dimensions (W x D X H)

- 14-9/16" x 3-1/8" x 7-13/16"

Finish

- RW Red with white housing
- RBA Red with brushed aluminum housing
- GW Green with white housing
- GBA Green with brushed aluminum housing

Certifications

- ETL listed for damp location
- 5 year limited warranty

ORDERING

Example: RXL33-RW

Model #	Finish	
RXL33		
RXL33	RW	: Red with white housing
	RBA	: Red with brushed aluminum
	GW	: Green with white housing
	GBA	: Green with brushed aluminum



TEL: 800.937.6925 | Fax: 800.207.9509 | www.rplighting.com

Specifications and dimensions subject to change without notice.



RP LIGHTING · FANS

Project name: _____
 Fixture type: _____
 Date: _____

LED Emergency Light



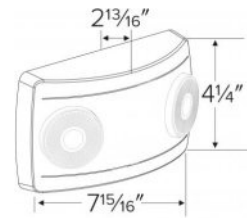
Features

- Mini Emergency Light with two 2W fully adjustable glare-free square shape light heads for emergency light.
- Injection-molded thermoplastic ABS housing Innovative snap-together design allows for fast and easy installation.
- 250 lm (total) 3.6V, 1.5Ah battery pack for 90 minutes of emergency operation.
- LED Driver: 120V/277V AC, dual voltage operation integrated with LED bulb.
- UL listed for damp location.

Specifications

Wattage	4W
Voltage	120/277V

Dimensions



Product Numbers

Item	Watts	Voltage
EE80L	4W	120/277V

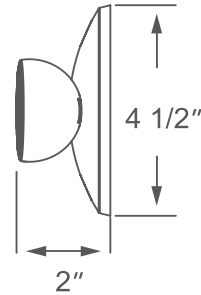
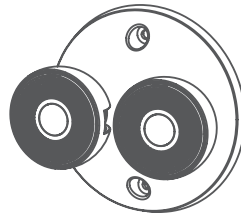
INTERIOR LIGHTING

RH22 Series

120V

Catalog #:		Type
Project:		Date
Prepared by:		

LED Remote Heads



LED Remote Heads

DESCRIPTION

This LED Remote Heads for Emergency Lights is great for general purpose applications. The durable, injection molded thermoplastic material resists discoloration due to UV radiation. Heads are fully adjustable, insuring that light can be put where it is needed.

DESIGN FEATURES

Construction

- Injection-molded thermoplastic ABS housing
- Fits on standard box
- Wide lens and narrow lens optional

Electrical

- 120V
- DC 3.6V input
- LED lamp: 2x1W
- Suitable for use in damp locations

Dimensions (W x D X H)

- 4-3/4" x 4-1/2" x 7-4/5"

Finish

- Available in white

Certifications

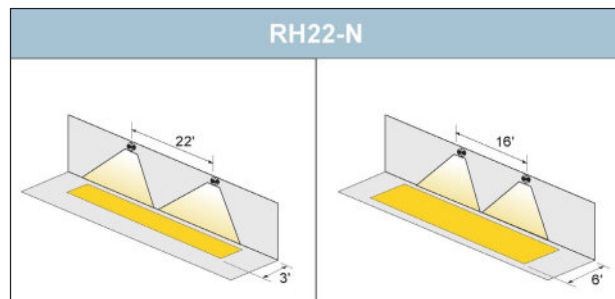
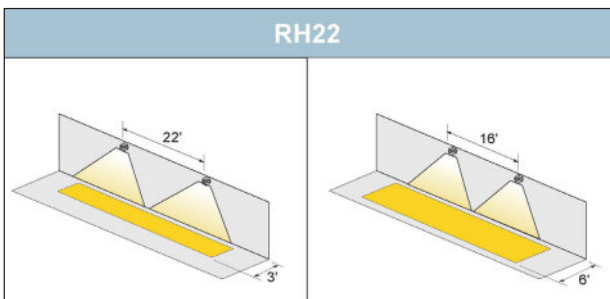
- UL listed
- 5 year limited warranty



ORDERING

Example: RH22WH-N

Model #	Finish	Lens
RH22		
RH22	WH : White	: Wide lens -N : Narrow lens



TEL: 800.937.6925 | Fax: 800.207.9509 | www.rplighting.com

Specifications and dimensions subject to change without notice.



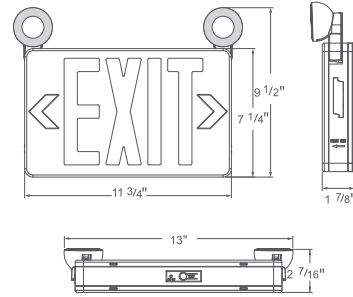
INTERIOR LIGHTING

RXEL39 Series

120V/277V

Catalog #:		Type
Project:		Date
Prepared by:		

High Output Remote Capable Exit/Emergency Combo



LED Emergency Exit

DESCRIPTION

The RXEL39 Series LED Emergency Exit Sign features two adjustable heads, single or double face high impact thermoplastic faceplates with snap-in & out chevrons. This exit sign uses LED light bulbs and has a backup battery. Ideal for applications requiring attractive, quick-installation exit signs and low energy consumption. Remote head capable.

DESIGN FEATURES

Construction

- Includes single or double face high impact thermoplastic faceplate. Universal snap-in & out chevrons meets all state and local UL924 codes. Also has one blank face
- Thermoplastic housing w/ flame retardant housing
- Compact, low profile design

Electrical

- 120/277V AC input, 60Hz
- Operating temperature 50° F to 104°F
- Battery: NI-cd Battery, 2pcs of 3.6V 1.5Ah for high lumen output
- 3.6V 2W remote capability (RH21) and 3.6V 4W (RH22) remote capabilities are available | for wet location 2.7~7.3V 1W (RH17) or 2.7~7.3V 2x1W (RH18)
- Light source: SMD 2x2W LED, 6000K, 250lms
- 90 minutes of illumination in case of power failure
- Manual test switch and LED indicator
- Estimated 25 year LED lamp life.

Installation

- Universal mounting (wall, side and ceiling)
- Easy, one-person installation

Dimensions (W x D X H)

- 11-3/4" x 1-7/8" x 9-1/2"

Finish

- RW= Red with white housing
- GW= Green with white housing

Remote head options

- RH21: Single remote head (Wide focal)
- RH21-N: Single remote head (narrow focal)
- RH22: Double remote head (Wide focal)
- RH22-N: Double remote head (narrow focal)

Certifications

- UL listed for damp location
- 5 year limited warranty



TEL: 800.937.6925 | Fax: 800.207.9509 | www.rplighting.com

Specifications and dimensions subject to change without notice.



LIGHTING · FANS

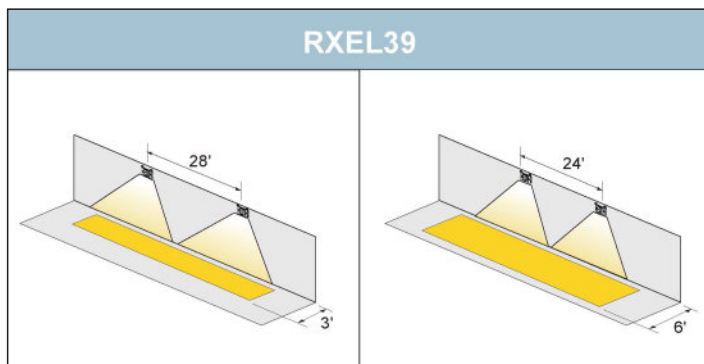
INTERIOR LIGHTING

RXEL39 Series

120V/277V

Specification & Ordering

ORDERING		Example: RXEL39-RW
Model #	Finish	
RXEL39		
RXEL39 High Output Remote Capabe Exit/ Emergency Combo	RW : Red with white housing GW : Green with white housing	



LED Emergency Exit

TEL: 800.937.6925 | Fax: 800.207.9509 | www.rplighting.com

Specifications and dimensions subject to change without notice.



INTERIOR LIGHTING



FEATURES & SPECIFICATIONS

INTENDED USE

Provides general illumination in residential and light commercial applications. Ideal for use with narrow ceiling areas such as in workshops, utility rooms and corridors.

ATTRIBUTES

Full wraparound with white finished steel end plates and acrylic, prismatic diffuser provides widespread illumination. Diffuser's lift and shift design provides for easy installation, lamp access, cleaning and superior retention. Available in 2 lamp configurations.

Uses a residential electronic ballast (120 volt, 60Hz) for instant on, ensures no flickering and quiet operation without interfering with other home electronics. Utilizes (2) 32W or (2) 17W linear T8 fluorescent lamps (F32T8/735) for energy efficiency, superior color rendering and 10,000 hour average lamp life. Series ballast operation and sleeved leads eliminate need for channel cover.

For use with non-dimmable switches only.

LISTING

CUL listed to US and Canadian safety standards and suitable for damp locations. ENERGY STAR® qualified.

WARRANTY

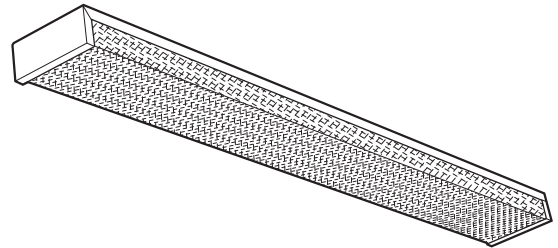
Guaranteed for two years against mechanical defects in manufacture.

Catalog Number	
Notes	Type

Indoor General Purpose

Wraparound Narrow End Utility

Linear T8 Fluorescent

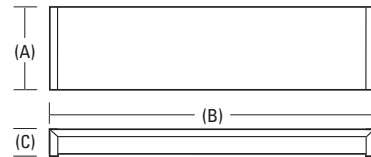


DIMENSIONS

Nominal Size	Lamp Configuration	Model Number	Number of Lamps	(A) Width inches (cm)	(B) Length inches (cm)	(C) Height* inches (cm)
(2) lamp		3324 2L17W	(2) 17W linear T8	5-1/8" (33.0)	24-7/8" (160.4)	2-1/2" (16.1)
(2) lamp		3348 2L32W	(2) 32W linear T8	5-1/8" (33.0)	48-7/8" (315.3)	2-1/2" (16.1)

* Extension from ceiling

All dimensions are in inches (centimeters)



ORDERING INFORMATION

Choose the boldface catalog nomenclature that best suits your needs and write it on the appropriate line. Order accessories and replacement parts as separate catalog numbers.

Example: **3348 2L32W WRAP**

Model Number ^{1,2}	
3324 2L17W	(2) 17W linear T8 fluorescent lamps required
3348 2L32W	(2) 32W linear T8 fluorescent lamps required

Ballast/Voltage
(blank) 120 volt residential electronic ballast (standard)

Accessories/Replacement parts	
D3324/DRB2	2ft. diffuser
D3348/DRB4	4ft. diffuser

Notes:
1. **Lamps not included.**
2. Use with non-dimmable switches only.

INTERIOR LIGHTING

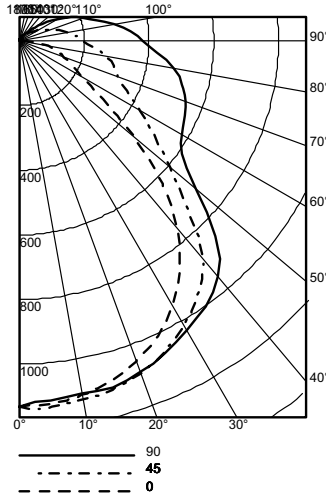
Wraparound Utility Lighting

PHOTOMETRICS

DATE: 11/2/2007 TEST NO: LTL16375
 MANUFACTURER: LITHONIA LIGHTING
 LUMINAIRE CATALOG NO.: MODEL 3348
 LUMINAIRE DESCRIPTION: RESIDENTIAL WRAP, 5" X 49", TWO (2) SERIES CONNECTED T8 LAMPS, NO CHANNEL COVER,
 BALLAST PAINTED WHITE, ACRYLIC PRISMATIC DROP DIFFUSER 1 1/2" DEEP, CHUANSHI RESIDENTIAL
 ELECTRONIC BALLAST
 LAMP CATALOG NO.: F032/735/ECO
 LAMP DESCRIPTION: TWO 32-WATT T8 LINEAR FLUORESCENT, HORIZONTAL POSITION
 BALLAST DESCRIPTION: AP RC232IS - CALC BF = 78.6%
 LUMENS PER LAMP: 2850
 INPUT WATTS: 52.7

CANDELA DISTRIBUTION

0	22.5	45	67.5	90	Ave	Lumens
0	1132	1132	1132	1132	1132	1132
5	1127	1125	1136	1118	1116	1125
15	1089	1089	1116	1109	1110	1103
25	1009	1022	1062	1061	1065	1046
35	863	899	960	986	1004	945
45	624	665	735	801	856	735
55	314	394	507	601	611	491
65	179	259	368	544	562	385
75	122	174	301	476	519	318
85	36	83	229	388	426	233
90	2	50	195	347	381	196
95	1	45	177	316	345	178
105	1	39	126	223	249	128
115	2	30	83	149	173	87
125	2	21	52	87	103	53
135	2	15	32	45	51	30
145	2	10	22	24	25	17
155	2	3	12	14	14	9
165	1	0	1	3	5	2
175	1	0	0	0	0	0
180	0	0	0	0	0	0



ZONAL LUMEN SUMMARY

Zone	Lumens	% Lamp	% Fixture
0° - 30°	900.3	15.8	22.6
0° - 40°	1489.3	26.1	37.4
0° - 60°	2501.1	43.9	62.8
0° - 90°	3476.0	61.0	87.3
90° - 120°	416.2	7.3	10.5
90° - 130°	464.5	8.1	11.7
90° - 150°	499.4	8.8	12.5
90° - 180°	504.4	8.8	12.7
0° - 180°	3980.4	69.8	100.0

LUMINAIRE EFFICIENCY: 69.8%

AVERAGE LUMINANCE (cd/m2)

	0°	45°	90°
45°	5401	5516	6162
55°	3316	4401	5017
65°	2522	3928	5567
75°	2704	4343	6735
85°	2014	5348	8383

Calculations based on IES File Luminous Area:
 5.16 in. W x 47.88 in. L x 1.2 in. H

SPACING CRITERIA(0-Deg): 1.2
 SPACING CRITERIA(90-Deg): 1.4

CIE CLASSIFICATION: Semi-Direct

COEFFICIENTS OF UTILIZATION

pc	20%													
	80%		50%		30%		10%		0%					
pw	70%	50%	30%	10%	50%	30%	10%	50%	30%	10%	0%			
0	81	81	81	81	73	73	73	68	68	68	63	63	63	61
1	73	69	65	62	61	59	57	57	55	53	53	52	50	48
2	66	59	54	50	53	49	46	50	47	44	46	44	41	39
3	60	52	46	41	47	42	39	44	40	37	41	38	35	33
4	55	46	40	35	42	37	33	39	35	31	37	33	30	28
5	50	41	35	30	37	32	28	35	31	27	33	29	26	24
6	47	37	31	26	34	29	25	32	27	24	30	26	23	21
7	43	34	28	23	31	26	22	29	25	21	27	24	21	19
8	40	31	25	21	28	23	20	27	22	19	25	21	18	17
9	38	28	22	19	26	21	18	25	20	17	23	19	17	15
10	35	26	20	17	24	19	16	23	19	16	22	18	15	14

SINGLE LUMINAIRE PERFORMANCE

Task Height: 2.5ft.

50% beam - 67.2° 10% beam - 107.1°

Mounting Height	Initial FC		50% beam - 67.2°		10% beam - 107.1°	
	Center Beam	Diameter	FC	Diameter	FC	Diameter
8.0	34.7	7.3	17.4	14.9	3.5	
10.0	19.3	10.0	9.6	20.3	1.9	
12.0	12.2	12.6	6.1	25.7	1.2	
14.0	8.4	15.3	4.2	31.2	0.8	
16.0	6.1	17.9	3.0	36.6	0.6	



An Acuity Brands Company

Consumer Products
 One Lithonia Way, Conyers, GA 30012
 Phone: 800-748-5070 Fax: 770-860-3903
 In Canada: 160 Avenue Labrosse, Point-Claire, P.Q., H9R 1A1
 www.lightahome.com

INTERIOR LIGHTING



Catalog Number
Notes
Type

FEATURES & SPECIFICATIONS

INTENDED USE — The CPANL™ Series LED surface mount flat luminaire features an internal 120 volt triac dimming driver, color switching technology and ceiling flush mounting kit. This reliable and rigid flat panel is visually comfortable and can be recessed in a lay in ceiling or surface mounted to a hard ceiling with included accessories. The CPANL can be suspended or surface box mounted with accessories sold separately. The CPANL was designed for residential and light commercial applications including retail and offices. **Certain airborne contaminants can diminish the integrity of acrylic and/or polycarbonate.** [Click here for Acrylic-Polycarbonate Compatibility table for suitable uses.](#)

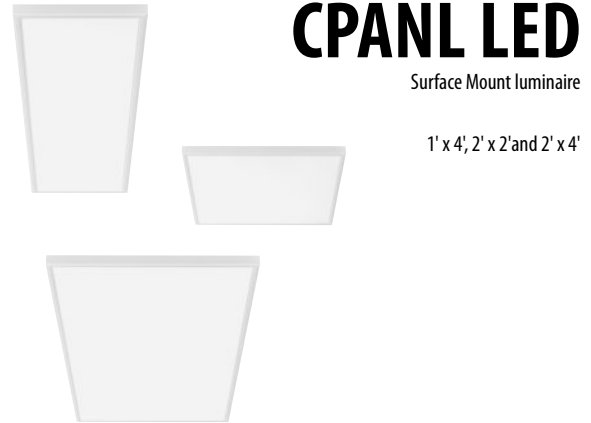
CONSTRUCTION — Built to last with an aluminum frame for strength and durability, the seamless frame prevents light leak in the corners. The satin white lens provides excellent shielding and fully luminous appearance. CPANL's low-profile design provides increased installation flexibility especially in restricted plenum spaces. The back plate includes integral T-bar clips for installation into T-grid ceilings.

ELECTRICAL — Long-life LEDs, coupled with a high-efficiency driver, provide superior illumination for extended service life. 70% LED lumen maintenance at 60,000 hours (L70/60,000). The line voltage dimming driver, dims to 10% without the need to run low voltage wiring. Compatible with most standard incandescent dimers, see list of approved dimmers on page 2.

LISTINGS — CSA certified to meet US and Canadian standards. Intended for indoor use only. Product is not to be stored in non-climate controlled spaces. Damp location listed. IC rated. IPSX rated. Rated and certified to meet NSF Splash Zone 2.

WARRANTY — 5-year limited warranty. Complete warranty terms located at: www.acuitybrands.com/support/warranty/terms-and-conditions

Note: Actual performance may differ as a result of end-user environment and application. All values are design or typical values, measured under laboratory conditions at 25 °C. Specifications subject to change without notice.

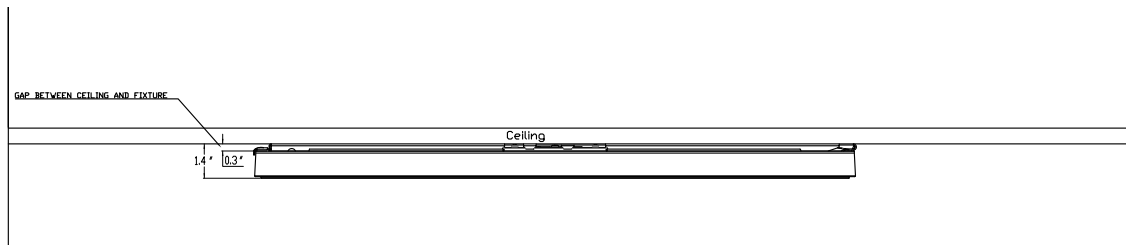


ORDERING INFORMATION

Catalog Number	UPC	Description	Nominal Lumens	Color Temperature	CRI	Voltage	Wattage
CPANL 1X4 40LM SWW7 120 TD DCMK	00194995063208	1x4 Switchable CCT Flat Panel with Bracket	4000	3500 /4000/5000K	80CRI	120V	38
CPANL 2X2 33LM SWW7 120 TD DCMK	00194995063239	2x2 Switchable CCT Flat Panel with Bracket	3300	3500 /4000/5000K	80CRI	120V	37
CPANL 2X4 40LM SWW7 120 TD DCMK	00194995063246	2x4 Switchable CCT Flat Panel with Bracket	4000	3500 /4000/5000K	80CRI	120V	36

* Bolded color temperature designates default switch setting.

CPANL Mounted with DCMK



INTERIOR LIGHTING

CPANL LED Flat Panel

ACCESSORIES

Accessories: Order as separate catalog number.

ILBLP CP10 HE SD A	IOTA emergency constant power battery pack field installation kit (Certified in CA Title 20 MAEDBS) ¹
ELA PSDMT	External mounting tray to secure emergency battery to building structure, not required, battery can be mounted to fixture
1X4SMKSH	Surface Mount Kit 1'x4', Shallow Depth
2X2SMKSH	Surface Mount Kit 2'x2', Shallow Depth
2X4SMKSH	Surface Mount Kit 2'x4', Shallow Depth
DGA14	Drywall grid adapter for 1x4 recessed fixture.
DGA22	Drywall grid adapter for 2x2 recessed fixture.
DGA24	Drywall grid adapter for 2x4 recessed fixture.
PAC 2DNF 36	Panel Air Craft Kit, 2 cables with Y splitter, No Power Feed, 36 inches
PAC 2DF 36	Panel Air Craft Kit, 2 cables with Y splitter, with Power Feed, 36 inches
PAC 2DNF 72	Panel Air Craft Kit, 2 cables with Y splitter, No Power Feed, 72 inches
PAC 2DF 72	Panel Air Craft Kit, 2 cables with Y splitter, with Power Feed, 72 inches
PAC 2DNF 36	Panel Air Craft Kit, 2 cables with Y splitter, No Power Feed, 36 inches
PAC 2DF 36	Panel Air Craft Kit, 2 cables with Y splitter, with Power Feed, 36 inches
PAC 2DNF 72	Panel Air Craft Kit, 2 cables with Y splitter, No Power Feed, 72 inches
PAC 2DF 72	Panel Air Craft Kit, 2 cables with Y splitter, with Power Feed, 72 inches
PAC 4DNF 36	Panel Air Craft Kit, 4 cables, No Power Feed, 36 inches
PAC 4DF 36	Panel Air Craft Kit, 4 cables, with Power Feed, 36 inches
PAC 4DNF 72	Panel Air Craft Kit, 4 cables, No Power Feed, 72 inches
PAC 4DF 72	Panel Air Craft Kit, 4 cables, with Power Feed, 72 inches

Emergency Battery Delivered Lumens

Use the formula below to determine the delivered lumens in emergency mode

$$\text{Delivered Lumens} = 1.25 \times P \times \text{LPW}$$

P = Output power of emergency driver (10W for PS1055)

LPW = Lumen per watt rating of the luminaire.

NOTES

1. See Iota [ILBLP CP10 HE SE A](#) battery spec sheet here. Test switch must be remote mounted or installed in an adjacent ceiling tile.

CPANL compatibility dimmer chart

Lutron	Leviton	Pass & Seymour	Cooper
CTCL-153PDH-WH	6672	TD703PWCCV6	DLC03-W
DV-603P-LA	DW6HD	LS 603 PWV	
CT-603PR-WH	DZ6HD	T603LAV	
DVELV-300P	6633-PA	D1103P	
S-600PR	IP110-1LZ		
300P SELV	IPI06-1LZ		
NTELV-300P	IMP10-1LZ		
PD-6WCL			
TGCL-153PH			
MACL-153MH			
SCL-153PR			
TG-600PR			
PD-5NE-WH			
AY-603P-AL			
LECL-153PH			
CT-103PR			
SCL-153PR			
RRD-PRO			
MRF25-6ELV-120			

PHOTOMETRICS

See www.lithonia.com for photometry reports.

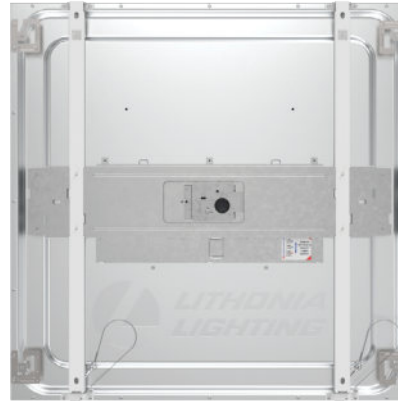
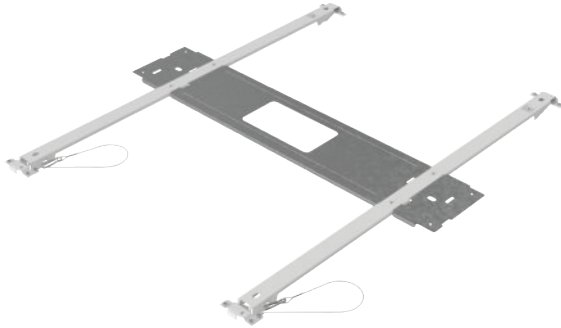


CPANL with bracket

INTERIOR LIGHTING

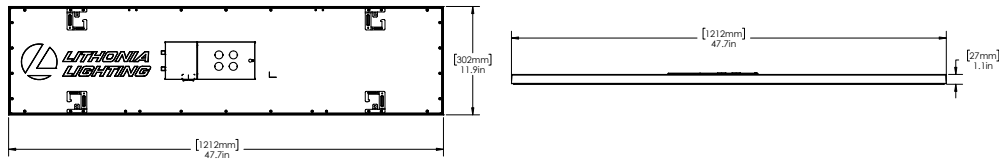
CPANL LED Flat Panel

Ceiling Direct Mount Bracket Included

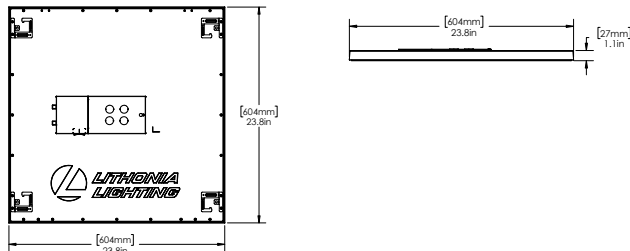


DIMENSIONS

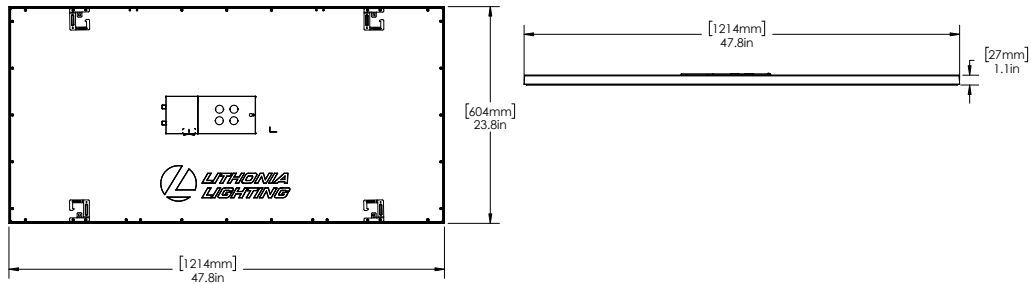
Length: 47.7 (121.2)
 Width: 11.9 (30.2)
 Depth: 1.1 (2.7)



Length: 23.8 (60.4)
 Width: 23.8 (60.4)
 Depth: 1.1 (2.7)



Length: 47.8 (121.4)
 Width: 23.8 (60.4)
 Depth: 1.1 (2.7)



INTERIOR LIGHTING



Project: _____

Fixture Type: _____

Location: _____

Contact: _____

Ceiling mounted • Damp location listed



P350135-009-30

Description:

Harkening back to a simpler time, the Inspire Collection freshens traditional forms with flowing lines. The LED flush mount fixture features an etched glass diffuser with a summer linen shade finished with Brushed Nickel details. This fixture is suitable for a variety of design styles, including Modern, Traditional and Farmhouse and the simple design is a perfect complement to a variety of fixture collections.

Specifications:

- Brushed Nickel (-009) (plated)
- Steel Construction
- Summer Linen fabric Shade, Etched glass diffuser
- LED Module is replaceable (part # 93074038)
- Gives a dash of flair to the standard ceiling light
- Fits seamlessly within Modern, Traditional and Farmhouse interiors
- Silky Brushed Nickel finish
- Measured 13in diameter x 6in ht.
- Contains one 17W LED Module
- 1,452 lumens 83 lumens/watt (source), 3000K color temperature, 90+ CRI
- CSA Safety listed for use in damp locations
- Progress Lighting products are designed for exceptional quality, reliability, and functionality
- Includes installation instructions and mounting hardware
- Coordinating fixtures available
- Dimmable to 10% brightness (See Dimming Notes)
- Fixture covers a standard 4" octagonal recessed outlet box
- Mounting strap for outlet box included
- 6" of wire supplied
- ENERGY STAR® qualified
- Meets California Title 24 JA8-2016

Performance:

Number of Modules	1
Input Power	17w
Input Voltage	120 V
Input Frequency	60 Hz
Lumens/LPW (Source)	1452/83 (LM-82)
Lumens/LPW (Delivered)	929/51.9 (LM-79)
CCT	3000 K
CRI	90 CRI
Life (hours)	50,000 (L70/TM-21)
FCC	FCC Title 47, Part 15, Class B
Min. Start Temp	-30 °C
Max. Operating Temp	-30°C
Warranty	5 year limited warranty
Labels	cCSAus Damp location listed ENERGY STAR® qualified Meets California Title 24 JA8-2016

Images:



Dimensions:

Diameter: 13"
Height: 6"

Glass
Width: 12-5/8"
Height: 0-1/8"
Glass 2
Width: 4-1/2"
Length: 13"
Height: 13"

INTERIOR LIGHTING



Ceiling mounted • Damp location listed **PROGRESS LED**



P350135-009-30

Dimming Notes:

P350135 is designed to be compatible with many Triac/ELV controls.

The following is a partial list of known compatible dimmer controls.

Dimming Controls

Lutron - NTEVL-300

Lutron - DVELV-300P

Lutron - Caseta Wireless

Leviton – 6672

Leviton – 6674

Lutron - AYCL-153P

Lutron - AYLV-600P

Lutron - MAELV-601

Leviton - AWRMG-EAW

Dimming capabilities will vary depending on the dimmer control, load, and circuit installation. Always refer to dimmer manufacturer instructions or a controls specialist for specific requirements.

Dimmer control brand names where identified above are trade names or registered trademarks of each respective company.

BLINDS



LOTUS LVS7284SCWH
72X84 SMOOTH CRVD VERT BLIND WHIT
*Sizes to be Confirmed



LOTUS LMLX3460WH
34X60 WHIT 1 VINYL MINI CRDL BLIND
*Sizes to be Confirmed

PRODUCT CODE

VS

3-1/2" Economy Vertical Blind



All Sizes Available in the Most Popular Smooth Finish White

Child-Safe Wand Control

Stack Left or Right



Heavy Duty Roll Formed Steel Headrail

1-Year Warranty

Complete with Matching Valance

-36-	63 x 60
35 x 36	70 x 60
47 x 36	71 x 60
59 x 36	72 x 60
71 x 36	78 x 60
102 x 60	102 x 60
-46-	-72-
46 x 46	34 x 72
	35 x 72
	43 x 72
	47 x 72
-48-	59 x 72
23 x 48	63 x 72 NEW
35 x 48	71 x 72 NEW
43 x 48	72 x 72
46.5 x 48	78 x 72
47 x 48	78 x 72
58.5 x 48	102 x 72
59 x 48	-84-
63 x 48	54 x 84 ^A
70.5 x 48	59 x 84
71 x 48	66 x 84 ^A
72 x 48	71 x 84 ^A
78 x 48	72 x 84
102 x 48	78 x 84 ^A
	85 x 84 ^A
-58-	97 x 84 ^A
34 x 58	102 x 84 ^A
46 x 58	104 x 84 ^A
58 x 58	110 x 84 ^A
	116 x 84 NEW
-60-	-96-
23 x 60	66 x 96
35 x 60	78 x 96
43 x 60	102 x 96
47 x 60	104 x 96
59 x 60	110 x 96
	116 x 96 NEW

All Sizes Available in Smooth Finish White
A = Also Available in Smooth Finish Alabaster.
All Sizes are Outside Mounts



End Control - PVC Idle End



Carriers - Injection Molded PVC



30" Wand

3.5" VINYL VERTICAL BLIND
FORMERLY 3.5" VERTICAL BLIND
LOTUS WINDOWARE
PVC HEADRAIL
WITH SMOOTH CURVED VANES

FEATURES

- Easy roll-up design
- Smooth finish
- Heavy-duty roll formed steel headrail
- Child-safe wand control
- Stack left or right
- Smooth finish
- Heavy-duty roll formed steel headrail
- Easy roll-up design
- Smooth finish
- Heavy-duty roll formed steel headrail
- Child-safe wand control
- Stack left or right
- Smooth finish

PROPOSED CONTROLS

- Heavy-duty roll formed steel headrail
- Smooth finish
- Heavy-duty roll formed steel headrail
- Child-safe wand control
- Stack left or right
- Smooth finish
- Heavy-duty roll formed steel headrail
- Child-safe wand control
- Stack left or right
- Smooth finish

CONTENTS

- Heavy-duty roll formed steel headrail
- Smooth finish
- Heavy-duty roll formed steel headrail
- Child-safe wand control
- Stack left or right
- Smooth finish
- Heavy-duty roll formed steel headrail
- Child-safe wand control
- Stack left or right
- Smooth finish

CHARACTERISTICS

- Heavy-duty roll formed steel headrail
- Smooth finish
- Heavy-duty roll formed steel headrail
- Child-safe wand control
- Stack left or right
- Smooth finish
- Heavy-duty roll formed steel headrail
- Child-safe wand control
- Stack left or right
- Smooth finish

SPECIFICATIONS

» HEADRAIL

Headrail is made of roll formed steel 1-1/2" wide by 1-1/4" high with a minimum thickness of 0.02". Headrail only in White color, use on White and Alabaster slats.

» CARRIERS

Injection molded PVC with eight-prong rotation system, carriers have self-lubricating wheels for reduced friction. Carriers allow for 180 degree simultaneous rotation.

» END CONTROL

Each end is equipped with an injection molded PVC idle end which supports the pinion rod.

» PINION ROD

The pinion rod is an eight-prong system made of extruded aluminum. The pinion rod passes through each carrier and allows for simultaneous rotation.

» WAND

30" wand.

» VANES

Made of extruded, non-lead rigid PVC. Vane thickness is 0.0197" to 0.0236". Vanes are 3-1/2" wide and are flame retardant.

» STACK

Available in one way draw that will stack left or right.



PACKAGING 2 per carton

APPLIANCES



GEAPPLIANC GGTE18DTNRBB
CCY FS TM REFRIG 18 BLAC 28



GEAPPLIANC GGTE17DTNRBB
CCY FS TM REFRIG 16.6 BLAC 28 REV



GEAPPLIANC GJB256DMBB
FS RNGE BLAC 30 ELEC 4 BRNR



GEAPPLIANC GJB480DMBB
30 FS ELEC RADII SMOOTH CKTP RANGE



GEAPPLIANC GJVM3162DJBB
CCY OTR MWAVE 30 BLAC 1.6W 1000W



GEAPPLIANC GJES1657DMBB
CVR CCY 1.6 SENSOR CMO

APPLIANCES



BROANNUTON B403023
CCY 01403023 BRN DTD 30N BLCKECON



WILLIAMSPY W6753D
STOVETOP FIRESTOP RNGE HOOD 2PK



WILLIAMSPY W6772
STOVETOP FIRESTOP F/ MICROHOOD WHIT



THERMPACIF T6160032
SPLASH GUARD 24X30 BLK/BIS



GE APPLIANCES
a Haier company

CustomerNet

GE® ENERGY STAR® 17.5 Cu. Ft. Top-Freezer Refrigerator Model# GTE18DTNRBB



- #1 in Quality and Dependability - Among 16-22 cu. ft. refrigerators based on an independent study of property maintenance personnel. Source: The Stevenson Company, 2020—Market research company with over 20 years of experience in the appliance industry
- LED lighting - Find all your favorite foods under natural-looking light
- Adjustable wire shelves - Moveable racks can handle a variety of foods
- Upfront temperature controls - Easy-to-use controls regulate both fresh food and freezer sections
- High-gloss handles - Provide an appearance that is easy to clean
- ENERGY STAR® certified - Meets or exceeds federal guidelines for energy efficiency and provides year-round energy and money savings
- Large 13.49 cu. ft. fresh-food capacity - Provides additional interior space
- 4.03 cu. ft. freezer capacity - Allows for additional storage
- Clear crisper drawers - Space to organize fruits and vegetables
- Gallon door storage bins - Enable larger items to be easily accommodated in the door
- Dairy Compartment - Provides easy access to items like butter and cheese
- Wire freezer shelf - Better organization for the freezer

FEATURES

Temperature Management Features	Air Tower
Control Type	Upfront Temperature Controls
Icemaker	Optional (IM4D Ready)
Freezer Cabinet Shelves	1 Adjustable Wire
Performance Features	Easily Removable Door Gaskets Never Clean Condenser
Sabbath Mode	Yes
Freezer Door Shelves	2 Fixed
Defrost Type	Frost Free
Fresh Food Door Features	Dairy Compartment Gallon Storage
Leveling System	2 Point Front Adjustable
Fresh Food Cabinet Shelves	1 Glass Drawer Cover 2 Adjustable 2 Full-Width 2 Wire 3 Total
Freezer Features	1 Adjustable Shelf Spillproof Freezer Floor
Exterior Style	Free-Standing
Fresh Food Features	
Fresh Food Cabinet Drawers	2 Clear
Product Type	Top Freezer Refrigerator
Fresh Food Door Shelves	3 Fixed (2 with Gal. Storage)

APPLIANCES

- Icemaker-ready - Optional (IM4D) icemaker sold separately, eliminates the need to fill ice trays and ensures you have a steady supply of ice on hand
- Made in America - 70 to 90% U.S. Content.
Product details at www.geappliances.com/USA

Have more questions? Please contact 1-800-626-2000



GE® ENERGY STAR® 17.5 Cu. Ft. Top-Freezer Refrigerator Model# GTE18DTNRBB

APPROXIMATE DIMENSIONS(HxDxW)

- 67 3/8 H x 28 W x 32 5/8 D

CAPACITY

- Fresh Food Capacity - 13.49cu ft
- Total Capacity (cubic feet) - 17.500000cu ft
- Freezer Capacity - 4.04cu ft

APPEARANCE

- Exterior Design - Textured Rounded Doors
- Door Stops - Yes
- Textured Steel Case - Color Matched
- Door Swing - Reversible Hinges
- Coil-Free Back - Yes
- Color Appearance - Black
- Handle - Smooth Color-Matched

WEIGHTS & DIMENSIONS

- Overall Depth (in) - 32 5/8in
- Overall Width (in) - 28in
- Net Weight (lb) - 159lb
- Back Air Clearances (in) - 2in
- Width w/Door Open 90 Degrees Less Handle (in) - 28 1/2in
- Approximate Shipping Weight (lb) - 178lb
- Depth with Door Open 90° (in) - 57in
- Width w/Door Open 90 Degrees Incl. Handle (in) - 30 5/8in
- Case Depth Without Door (in) - 26 3/4in
- Top Air Clearances (in) - 1in
- Side Air Clearances (in) - 0 3/4in
- Depth Without Handle (in) - 30 1/2in
- Height to Top of Case (in) - 66 7/8in
- Overall Height (in) - 67 3/8in

POWER / RATINGS

- Volts/Hertz/Amps - 120v; 60Hz; 15A

ACCESSORIES

- Optional Icemaker Kit - IM4D

WARRANTY

- Warranty Notes - See written warranty for full details
- Labor Warranty - Limited 1-year entire appliance
- Parts Warranty - Limited 1-year entire appliance

CERTIFICATIONS

- Claims & Certifications - ENERGY STAR® Qualified
MADE IN AMERICA: 70 to 90% U.S. Content
California Prop 65

APPLIANCES

Have more questions? Please contact 1-800-626-2000



GE APPLIANCES
a Haier company

CustomerNet

GE® ENERGY STAR® 16.6 Cu. Ft. Top-Freezer Refrigerator Model# GTE17DTNRBB



- #1 in Quality and Dependability - Among 16-22 cu. ft. refrigerators based on an independent study of property maintenance personnel. Source: The Stevenson Company, 2020—Market research company with over 20 years of experience in the appliance industry
- LED lighting - Find all your favorite foods under natural-looking light
- Adjustable wire shelves - Moveable racks can handle a variety of foods
- Upfront temperature controls - Easy-to-use controls regulate both fresh food and freezer sections
- High-gloss handles - Provide an appearance that is easy to clean
- ENERGY STAR® certified - Meets or exceeds federal guidelines for energy efficiency and provides year-round energy and money savings
- ADA-compliant - Designed for easy operation and access as required by the Americans with Disabilities Act
- Large 12.6 cu. ft. fresh-food capacity - Provides additional interior space
- 4.03 cu. ft. freezer capacity - Allows for additional storage
- Clear crisper drawers - Space to organize fruits and vegetables
- Gallon door storage bins - Enable larger items to be easily accommodated in the door
- Dairy Compartment - Provides easy access to items like butter and cheese

FEATURES

Temperature Management Features	Air Tower
Control Type	Upfront Temperature Controls
Icemaker	Optional (IM4D Ready)
Freezer Cabinet Shelves	1 Adjustable Wire
Performance Features	Easily Removable Door Gaskets Never Clean Condenser
Sabbath Mode	Yes
Freezer Door Shelves	2 Full-Width Fixed
Defrost Type	Frost Free
Fresh Food Door Features	Dairy Compartment
Leveling System	2 Point Front Adjustable
Fresh Food Cabinet Shelves	1 Glass Drawer Cover 2 Adjustable 2 Full-Width 2 Wire 3 Total
Freezer Features	1 Adjustable Shelf Spillproof Freezer Floor
Exterior Style	Free-Standing
Fresh Food Features	
Fresh Food Cabinet Drawers	2 Total Clear
Product Type	Top Freezer Refrigerator
Fresh Food Door Shelves	2 Full-Width 2 Total 2 with Gallon Storage

APPLIANCES

- Wire freezer shelf - Better organization for the freezer
- Icemaker-ready - Optional (IM4D) icemaker sold separately, eliminates the need to fill ice trays and ensures you have a steady supply of ice on hand
- Made in America - 70 to 90% U.S. Content.
Product details at www.geappliances.com/USA

Have more questions? Please contact 1-800-626-2000



GE® ENERGY STAR® 16.6 Cu. Ft. Top-Freezer Refrigerator Model# GTE17DTNRBB

APPROXIMATE DIMENSIONS(HxDxW)

- 64 3/4 H x 28 W x 32 5/8 D

CAPACITY

- Fresh Food Capacity - 12.6cu ft
- Total Capacity (cubic feet) - 16.600000cu ft
- Freezer Capacity - 4.04cu ft

APPEARANCE

- Exterior Design - Textured Rounded Doors
- Door Stops - Yes
- Textured Steel Case - Color Matched
- Door Swing - Reversible Hinges
- Coil-Free Back - Yes
- Color Appearance - Black
- Handle - Smooth Color-Matched

WEIGHTS & DIMENSIONS

- Overall Depth (in) - 32 5/8in
- Overall Width (in) - 28in
- Net Weight (lb) - 152lb
- Back Air Clearances (in) - 1in
- Width w/Door Open 90 Degrees Less Handle (in) - 28 1/2in
- Approximate Shipping Weight (lb) - 171lb
- Depth with Door Open 90° (in) - 57in
- Width w/Door Open 90 Degrees Incl. Handle (in) - 30 5/8in
- Case Depth Without Door (in) - 26 3/4in
- Top Air Clearances (in) - 1in
- Side Air Clearances (in) - 0 3/4in
- Depth Without Handle (in) - 30 1/2in
- Height to Top of Case (in) - 64 1/4in
- Overall Height (in) - 64 3/4in

POWER / RATINGS

- Volts/Hertz/Amps - 120v; 60Hz; 15A

ACCESSORIES

- Optional Icemaker Kit - IM4D, IM4LED

WARRANTY

- Warranty Notes - See written warranty for full details
- Labor Warranty - Limited 1-year entire appliance
- Parts Warranty - Limited 1-year entire appliance

CERTIFICATIONS

- Claims & Certifications - ADA Compliant
ENERGY STAR® Qualified
MADE IN AMERICA: 70 to 90% U.S. Content
California Prop 65

APPLIANCES

Have more questions? Please contact 1-800-626-2000

APPLIANCES



GE APPLIANCES
a Haier company

CustomerNet

GE® 30" Free-Standing Electric Range Model# JB256DMBB



- 5.0 cu. ft. oven capacity - Enough room to cook an entire meal at once
- Self-clean oven - Cleans the oven cavity without the need for scrubbing
- Sensi-temp technology - Enjoy the same cooking power as a traditional coil with an added safety feature that meets the new UL858 Household Electric Ranges Standard for Safety
- Dual-element Bake - Upper and lower elements produce even heat and great results
- Removable full-width storage drawer - Large trays and other cookware can be conveniently stored for quick access

FEATURES

Storage Drawer Features	Removable Full-Width
Oven Interior	1 Incandescent Light
Oven Control Features	Audible Preheat Signal Auto Oven Shut-Off with Override Auto Self Clean Control Lock Capability Delay Bake Option (Time Bake) Delay Clean Option Electronic Clock & Kitchen Timer Hi / Low Broil Oven "ON" Light Self-Clean Cool Down Time Display Self-Cleaning Cycling Light
Lift-Up Cooktop With Support Rods	Yes
Oven Rack Features	2 Oven Racks 6 Rack Positions
Element - Left Front	6" 1250W Temp Limiting Coil
Oven Cleaning Type	Self-Clean
Product Type	Free-Standing Single Oven
Heating Element "ON" Indicator Light	Yes
Cooktop Type	Coil
Fuel Type	Electric
Element - Right Front	8" 2400W Temp Limiting Coil
Control Location	Backsplash
Control Type	Digital Temperature Display Electronic Touchpads
Drawer Type	Storage
Sabbath Mode	Yes
Element - Left Rear	8" 2400W Temp Limiting Coil
Cooking Technology	Traditional
Configuration	Range with Storage Drawer
Oven Features	4-Pass Bake Element 4-Pass Broil Element
Removable One-Piece Drip Bowls	Black Porcelain Enameled
Cooktop Burner Type	Coil
Element - Right Rear	6" 1250W Temp Limiting Coil
Cooktop Surface	One-Piece Upswept Porcelain-Enamel

Have more questions? Please contact 1-800-626-2000



GE® 30" Free-Standing Electric Range Model# JB256DMBB

APPROXIMATE DIMENSIONS(HxDxW)

- 47 H x 30 W x 28 3/4 D

CAPACITY

- Total Capacity (cubic feet) - 5.000000cu ft

APPEARANCE

- Handle - Color-Matched Designer Style
- Textured Steel Side Panels - Yes
- Oven Door Features - Big View Oven Window Glass Door
- Control Knobs - Color-Matched
- Color Appearance - Black

WEIGHTS & DIMENSIONS

- Net Weight (lb) - 150lb
- Depth Without Handle (in) - 26 1/4in
- Height to Cooking Surface (in.) (null) - 36 - 36 1/2
- Cabinet Width (in) - 30in
- Approximate Shipping Weight (lb) - 170lb
- Overall Width (in) - 30in
- Overall Height (in) - 47in
- Overall Depth (in) - 28 3/4in
- Depth with Door Open (in) - 46 1/4in
- Oven Interior Dimensions (W x H x D) (in.) (null) - 23-3/4 x 19 x 18-1/2

POWER / RATINGS

- Amp Rating at 208V - 40
- Broiler Wattage - 3410W
- Amp Rating at 240V - 40
- KW Rating at 240V - 11.7
- Bake Wattage - 2585W
- KW Rating at 208V - 8.8

WARRANTY

- Parts Warranty - Limited 1-year entire appliance
- Labor Warranty - Limited 1-year entire appliance
- Warranty Notes - See written warranty for full details

CERTIFICATIONS

- Claims & Certifications - UL California Prop 65

Have more questions? Please contact 1-800-626-2000

APPLIANCES

JB480DM

GE® Free-standing Electric Radiant Smooth Cooktop Range

DIMENSIONS AND INSTALLATION INFORMATION (IN INCHES)

RECEPTACLE LOCATIONS

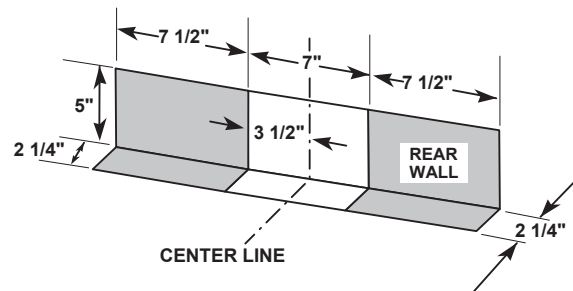
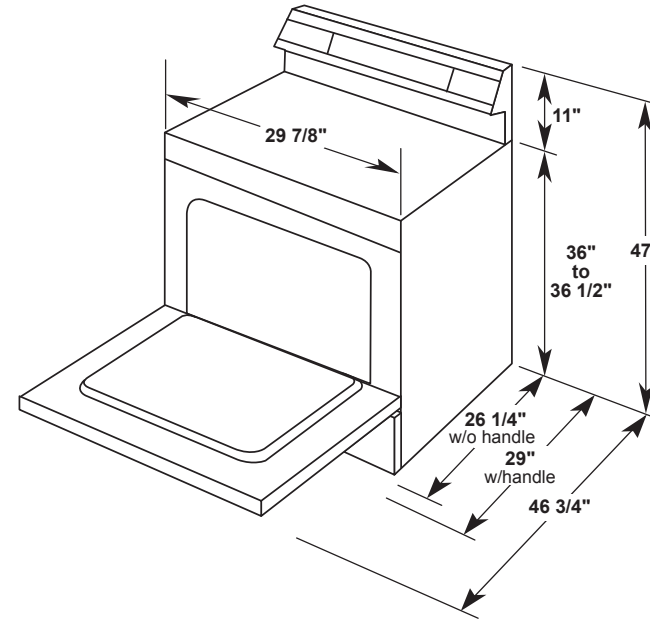
Locally approved flexible service cord or conduit must be used because terminals are not accessible after range installation. See shaded area in drawing for location of electrical outlet box. Recommended outlet locations allow range to be installed directly against wall.

NOTE: This appliance has been approved for 0" spacing to adjacent surfaces above the cooktop. However, a 6" minimum spacing to surfaces less than 15" above the cooktop and adjacent cabinet is recommended to reduce exposure to steam, grease splatter and heat.

INSTALLATION INFORMATION: Before installing, consult installation instructions for current dimensional data and additional requirements.

KW RATING	
240V	10.5
208V	7.9
BREAKER SIZE	
240V	40 Amps*
208V	40 Amps*

NOTE: Check local codes for required breaker size.



For answers to your Monogram, GE Café™ Series, GE Profile™ Series or GE Appliances product questions, visit our website at geappliances.com or call GE Answer Center® Service, 800.626.2000.



All GE Appliances ranges are equipped with an Anti-Tip device. The installation of this device is an important, required step in the installation of the range.

Specification Revised 9/18

APPLIANCES

JB480DM

GE® Free-standing Electric Radiant Smooth Cooktop Range

FEATURES AND BENEFITS

Front controls – Minimize need to reach

5.0 cu. ft. oven capacity – Cook more dishes at once

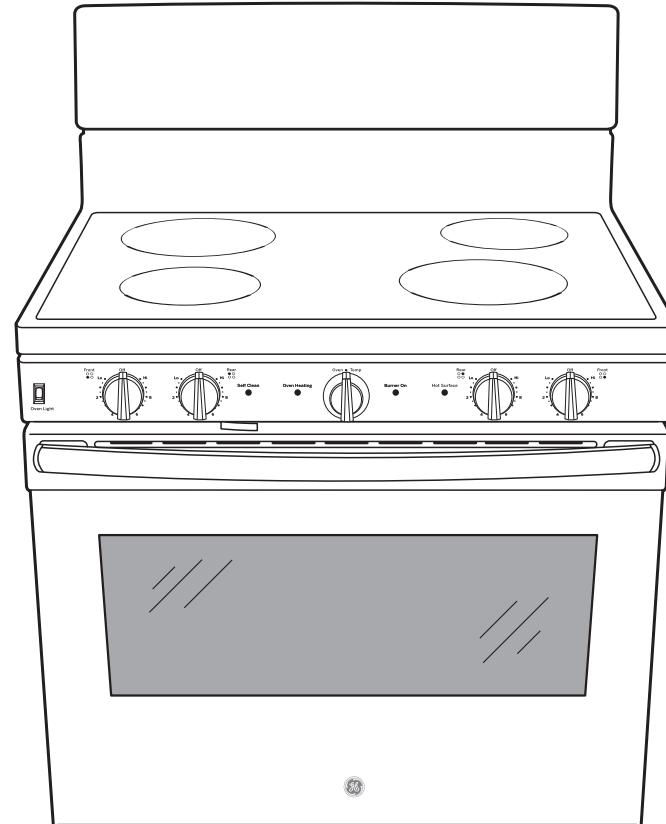
Self-clean oven – Cleans the oven cavity without the need for scrubbing

Dual-element Bake – Upper and lower elements produce even heat and great results

Removable full-width storage drawer – Store cookware or kitchen accessories

Model JB480DMBB – Black

Model JB480DMWW – White



APPLIANCES

JVM3162DJ

GE® 1.6 cu. ft. Over-the-Range Microwave Oven

DIMENSIONS AND INSTALLATION INFORMATION (IN INCHES)

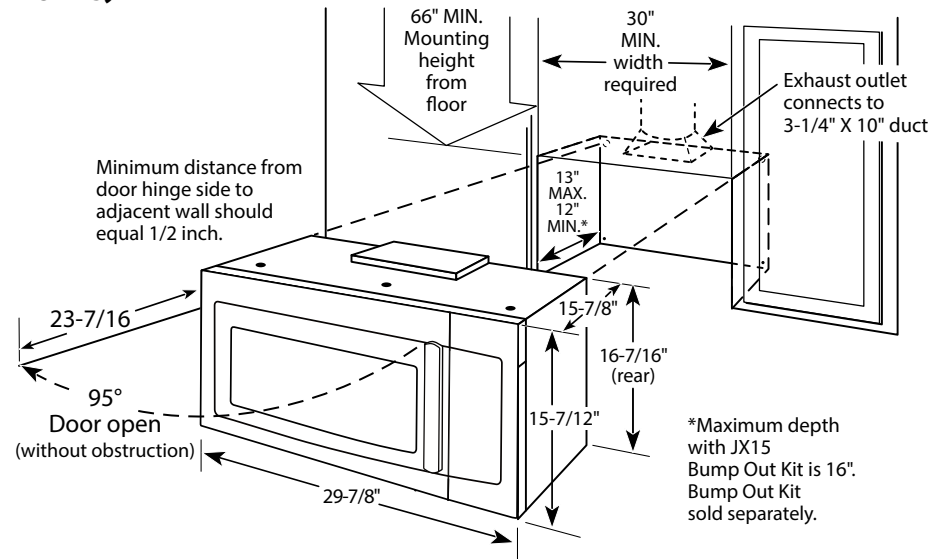
NOTE: Requires 120V grounded outlet. Electrical receptacle must be located in cabinet above microwave oven. No additional wiring, venting or cabinet rebuilding necessary in many cases. Complete detailed, easy-to-follow installation instructions and convenient full-size templates are packed with the microwave oven.

IMPORTANT INFORMATION: When installing the microwave oven over a range, allow minimum of 2" from bottom of microwave oven to top of range backguard to allow for removal of light covers.

VENTILATION OPTIONS: The microwave ovens are designed for adaptation to the following three types of ventilation:

- Outside exhaust (vertical – as shown)
- Outside exhaust (horizontal)
- Recirculating (non-vented ductless – see Filter Kit drawing)

INSTALLATION INFORMATION: This information is not intended to be used for installing unit described. Before installing, consult installation instructions packed with product/kit for current dimensional data.



GE APPLIANCES

For answers to your Monogram,® GE Profile™ or GE® appliance questions, visit our website at geappliances.com or call GE Answer Center® service, 800.626.2000.



Specification Created 5/15

APPLIANCES

JVM3162DJ

GE® 1.6 cu. ft. Over-the-Range Microwave Oven

DIMENSIONS AND INSTALLATION INFORMATION (IN INCHES)

HOOD EXHAUST DUCT: Outside ventilation requires a **HOOD EXHAUST DUCT**. Read the following carefully.

EXHAUST CONNECTION: The hood exhaust has been designed to mate with a standard 3-1/4" x 10" rectangular duct. If a round duct is required, a rectangular-to-round transition adaptor must be used. Do not use less than a 6" diameter duct.

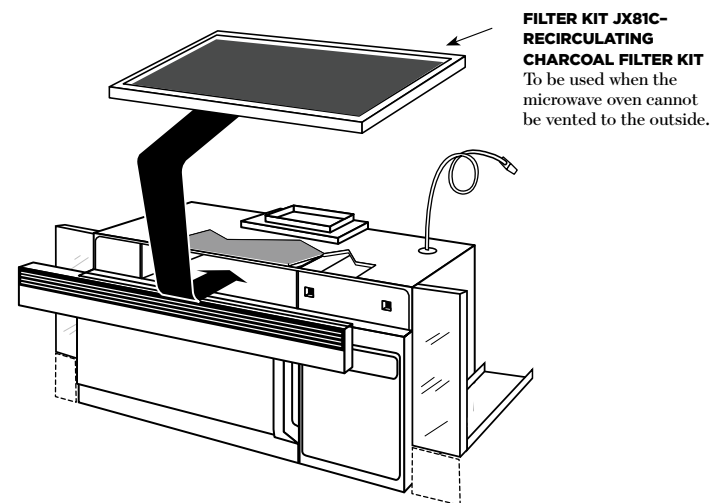
REAR EXHAUST: If a rear or horizontal exhaust is to be used, care should be taken to align exhaust with space between studs, or wall should be prepared at the time it is constructed by leaving enough space between the wall studs to accommodate exhaust.

MAXIMUM DUCT LENGTH: For satisfactory air movement, the total duct length of 3-1/4" x 10" rectangular or 6" diameter round duct should not exceed 120 equivalent feet.

ELBOWS, TRANSITIONS, WALL AND ROOF CAPS, etc., present additional resistance to airflow and are equivalent to a section of straight duct which is longer than their actual physical size. When calculating the total duct length, add the equivalent length of all transitions and adaptors plus the lengths of all straight duct sections. The chart below shows the approximate feet of equivalent length of some typical ducts.

DUCT	EQUIVALENT FEET
A. Rectangular-To-round Transition Adaptor	5 ft.
B. Wall Cap	40 ft.
C. 90° Elbow	10 ft.
D. 45° Elbow	5 ft.
E. 90° Elbow	25 ft.
F. 45° Elbow	5 ft.
G. Roof Cap	24 ft.

OPTIONAL ACCESSORIES (AVAILABLE AT ADDITIONAL COST)



GE APPLIANCES

For answers to your Monogram,® GE Profile™ or GE® appliance questions, visit our website at geappliances.com or call GE Answer Center® service, 800.626.2000.



Listed by
Underwriters
Laboratories

Specification Created 5/15

APPLIANCES

JVM3162DJ

GE® 1.6 cu. ft. Over-the-Range Microwave Oven

FEATURES AND BENEFITS

1.6 cu. ft. capacity – 1000 Watts (IEC-705 test procedure)

Convenience cooking controls – Operating made quick and easy

Auto and time defrost – Defrosting times and power levels are programmed automatically or manually for optimal results

Turntable on/off – Controls turntable operation

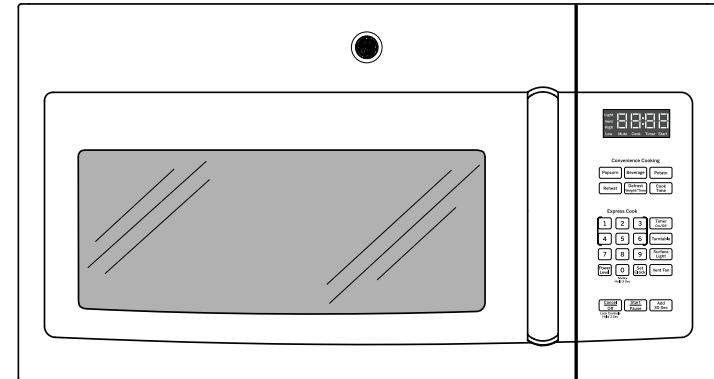
Two-speed, 300-CFM venting system – Removes smoke, steam and odors

10 power levels – Multiple power levels offer cooking flexibility

"Add 30 seconds" button – Add 30 seconds of microwave cooking time

Model JVM3162DJBB – Black

Model JVM3162DJWW – White



GE APPLIANCES

For answers to your Monogram,® GE Profile™ or GE® appliance questions, visit our website at geappliances.com or call GE Answer Center® service, 800.626.2000.



Listed by
Underwriters
Laboratories

Specification Created 5/15

STOVETOP
FIRESTOP

THE ORIGINAL
SINCE 1972

AUTOMATIC COOKTOP FIRE SUPPRESSION

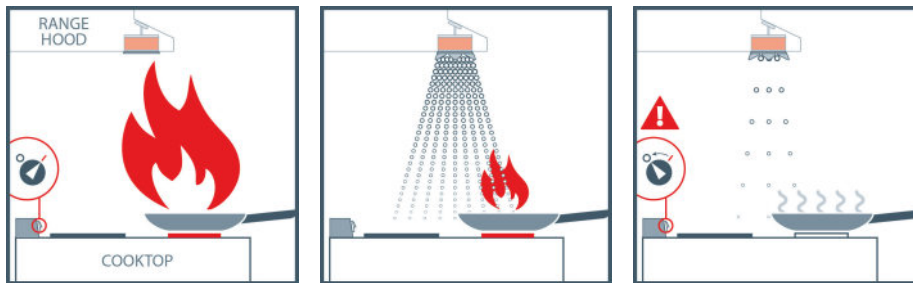
STOVETOP FIRESTOP RANGEHOOD®

Cooking fires are the leading cause of residential structure fires, and of those fires, the majority are from unattended cooking. Recommended by fire chiefs, fire marshals, and fire prevention educators across the United States and Canada, StoveTop FireStop® provides 24/7 automatic fire suppression for indoor residential kitchens.

StoveTop FireStop Rangehood is designed to protect a cooktop with a traditional vent hood. Activated only by direct, sustained contact with a flame, it delivers fire-suppressing powder automatically to both the front and back burners, alerting the resident with a “pop” sound.

StoveTop FireStop limits the potential for personal injury, property damage, and lost revenue that can occur with a cooking fire.

HOW IT WORKS:



Fire contacts the fuse.

Canister deploys automatically.

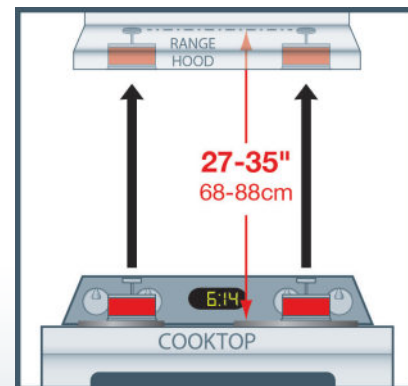
Turn off heat source.

QUICK, SIMPLE INSTALLATION

StoveTop FireStop Rangehood attaches with a magnet to the underside of the vent hood. To install:

1. Position each canister at the midpoint between the front and back burners on each side.
2. Lift each canister straight up and attach with magnet.*
3. You're Done!

*If you have a non-magnetic vent hood, order our special mounting kit at: www.stfs.com.



* For kitchens with over-the-stove microwaves or cabinets, use **StoveTop FireStop Microhood**. (not pictured)

* For kitchens with designer vent hoods, use **StoveTop FireStop Plus** (not pictured)



© 2000-2017 WilliamsRDM, Inc. All rights reserved. StoveTop FireStop, the StoveTop FireStop logo, photos and drawings, the WilliamsRDM logo, and “W” logo are either copyrighted materials, registered trademarks or trademarks of WilliamsRDM, Inc., Fort Worth, Texas.

StoveTopFireStop.com



**STOVETOP
FIRESTOP®**

**THE ORIGINAL
SINCE 1972**

AUTOMATIC COOKTOP FIRE SUPPRESSION

STOVETOP FIRESTOP MICROHOOD® SPECIFICATIONS

INTENDED USE	Indoor, residential stovetop grease fires (<i>not more than 3/8" oil depth</i>)
ACTIVATION METHOD	Automatic when there is direct, sustained contact with a flame
POWDER DISPERSAL METHOD	Gravity (non-pressurized)
PRIMARY SUPPRESSION AGENT	Non-Toxic dry powder
INTENDED APPLICATION	Microwave oven overhead, or other lower vent hoods or cabinets
REQUIRED VERTICAL CLEARANCE	15-27" between the underside of the microwave and the cooking surface
REQUIRED HORIZONTAL DISTANCE FROM BACK WALL	Should be at least 14" from back wall (back of stove) to lower front edge of microwave oven door
WEIGHT—TOTAL PRODUCT (OUNCES)	30 oz. (per housing)
WEIGHT—POWDER (OUNCES)	Approximately 5.2 oz. (per canister)/Each pair contains four canisters
HEIGHT (INCHES)	2.2"
LENGTH (INCHES)	13.9" (including mounting bracket)
WIDTH (INCHES)	3.9"
INSTALLATION METHOD	Drywall anchors and screws (included) hold device to back wall, positioned below the microwave *Extension bars available upon request
NUMBER OF DEVICES NEEDED TO COVER A 4-BURNER STOVETOP	Two (one pair)
TESTS PERFORMED	Device and dry powder tested by an independent nationally recognized testing laboratory (NRTL)
EFFECTIVE LIFE	6 years, replace upon activation or before "remove or replace before" date found on label



© 2000-2015 WilliamsRDM, Inc. All rights reserved. StoveTop FireStop, the StoveTop FireStop logo, photos and drawings, the WilliamsRDM logo, and "W" logo are either copyrighted materials, registered trademarks or trademarks of WilliamsRDM, Inc., Fort Worth, Texas.

StoveTopFireStop.com



DOOR HARDWARE



KWIKSET K81615SMTRCALRCS
KEY CNTL SGL CYL SMT SN
*Entry Doors - Grade 2 Master Key



SCHLAGE SCH770731
F10 JAZ 619
*Entry Door/Interior - Grade 2/ADA



SCHLAGE SCH770748
F40 JAZ 619
*Interior - Grade 2/ADA



CALROYAL CDK94US15
DR KNOCKER 180 DEG VIEW SN



CALROYAL CDV180US15
180 SN DR VIEWER 9/16 BORE PLAS LEN



PRIMELINE PMP10127
4 SN HD FLEX SPRG DR ST 5/PK

DOOR HARDWARE



DELTA DHPS88U15
HINGE PIN DR ST HINGE MNT BN



CALROYAL CANO834US15
ALUM KICKPLT SCRW SIZE .032X8 X34

Kwikset

660 DEADBOLT



Kwikset's 660 Deadbolt offers effective security at an affordable price.

- Easy to Install
- Featuring SmartKey Security™ - protecting against advanced break-in techniques
- Features Microban® antimicrobial finish protection*
- ANSI/BHMA Grade 3 Certified Security & Quality

*Microban® available in the following finishes: Polished Brass (3), Antique Brass (5), Satin Nickel (15), Venetian Bronze (11p), and Iron Black (514)



660 Deadbolt
in Venetian Bronze

#1 SELLING U.S. LOCK BRAND*

*Source: TraQline US quarterly brand unit share report, Q4 2006 through Q1 2021

DOOR HARDWARE

Kwikset

Specifications

Door Prep	Cross Bore 2-1/8". Edge Bore 1". Latch face 1" x 2 1/4".
Backset	2 3/8" or 2 3/4" standard.
Door Thickness	1 3/8" - 1 3/4" doors standard.
Cylinder	SmartKey™ or 5-Pin Pin & Tumbler.
Faceplates	1" x 2 1/4". Specify round corner, square corner or drive-in.
Strikes	1" x 2 1/4" full. Specify round corner or square corner. Other options available.
Bolt	1" throw.
Door Handing	Reversible for right or left-hand doors.
ANSI/BHMA	A156.2 Grade 3
ADA	Interior turn piece meets 4.13.9 ADA requirements.
UL	Optional UL 1/3 hour fire rating for all functions

Functions



660 Single Cylinder:
Deadbolt operated by key outside and thumb turn inside.

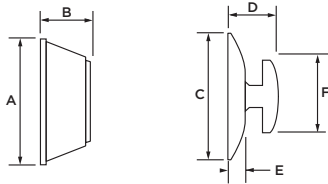


663 Thumb Turn Only:
Deadbolt operated by thumb turn one side. No trim on exterior.



665 Double Cylinder:
Deadbolt operated by key both sides.

Dimensions



Design	A	B	C	D	E	F
660	2 7/16"	1 1/16"	2 1/2"	27/32"	5/16"	1 3/4"
663			2 1/2"	27/32"	5/16"	1 3/4"
665	2 7/16"	1 1/16"	2 1/2"	1 1/16"		



Kwikset's SmartKey Security™ provides homeowners with the superior security that is resistant to a variety of advanced break-in methods.

This technology also allows homeowners to re-key their locks themselves in seconds, rendering lost or unreturned keys useless.



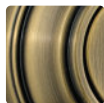
660 Deadbolt
in Satin Chrome

LIFETIME WARRANTY

Finishes



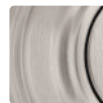
Polished
Brass **LO3/3**



Antique
Brass **5**



Venetian
Bronze **11P**



Satin
Nickel **15**



Matte
Black **514**



Antique
Nickel **15A**



Polished
Chrome **26**



Satin
Chrome **26D**

*Matte Black finish available in 660 only

Kwikset

19701 DaVinci, Lake Forest, CA 92610 • Kwikset.com • 1-800-327-5625
© 2021 Spectrum Brands, Inc. Kwikset is a trademark of Spectrum Brands, Inc. Lake Forest, CA 92610 • 903823-10/21



Accent lever

The Accent lever is widely popular for its elegant wave-like design that effortlessly matches a room's style without overshadowing it.

Accent has a minimalist design and unmatched ability to elevate a room.

FEATURES

- Backed by a limited lifetime mechanical and finish warranty (See the product warranty for full details)
- Decorative trim options add the perfect finishing touch
- Highest industry ratings for residential security, durability and finish
- Installs in minutes with screwdriver
- Guaranteed to fit on standard doors
- Reversible levers (select functions)

Shown in Polished Nickel with standard trim

DOOR HARDWARE

F-SERIES LEVER SPECIFICATIONS

Certification	- BHMA Residential Grade AAA - Commercial Grade 2 product - Available UL listed for 3-hour fire door
Finish warranty	Limited lifetime finish warranty* *All finishes excluding Oil Rubbed Bronze (613), which is intended to patina and change over time.
Mechanical warranty	Limited lifetime mechanical warranty
Latch throw	1/2"
Cylinder	5-pin tumbler, C Keyway
Door thickness	1-3/8" to 1-3/4"
Cross bore	2-1/8"
Edge bore	7/8"
Latch/backset	Universal latch fits 2-3/8" or 2-3/4" backset
Latch faceplate size	1" x 2-1/4"
Latch faceplate options	Round corner, square corner, drive-in configurations
Keys	2 per lock
Door handing	Field reversible levers on privacy, passage and keyed functions
Strike	1-5/8" x 2-1/4" full lip
Strike options	Specify round corner or square corner. Other options available
ADA compliant	Complies with ADA accessibility guidelines (F10 & F40 only)
Functions	Passage, Privacy, Keyed Entry, Storeroom, and Non-turning, Electronic options also available

FUNCTIONS

Shown with standard trim



Hall & Closet (passage)
F10



Bed & Bath (privacy)
F40



Keyed Entry
F51A
Storeroom
F80



Non-turning
F170



Schlage Touch™
Lever
FE695

FINISH OPTIONS

Reference latest price book for available trim and finish options.



Bright Brass
(505/605)



Satin Brass
(608)



Antique Brass
(609)



Oil-Rubbed Bronze
(613)



Polished Nickel
(618)



Satin Nickel
(619)



Antique Pewter
(620)



Distressed Nickel
(621)



Matte Black
(622)



Bright Chrome
(625)



Satin Chrome
(626)



Aged Bronze
(716)

DECO TRIM OPTIONS

Our styles range from traditional or contemporary to transitional or ornate.



Addison



Andover



Brookshire



Collins



Camelot



Century



Greenwich



Greyson



Upland



Wakefield

Visit Schlage.com to learn more.

About Allegion™

Allegion (NYSE: ALLE) helps keep people safe where they live, work and visit. Allegion is pioneering safety as a provider of security solutions through more than 25 brands in more than 130 countries. **For more, visit allegion.com**



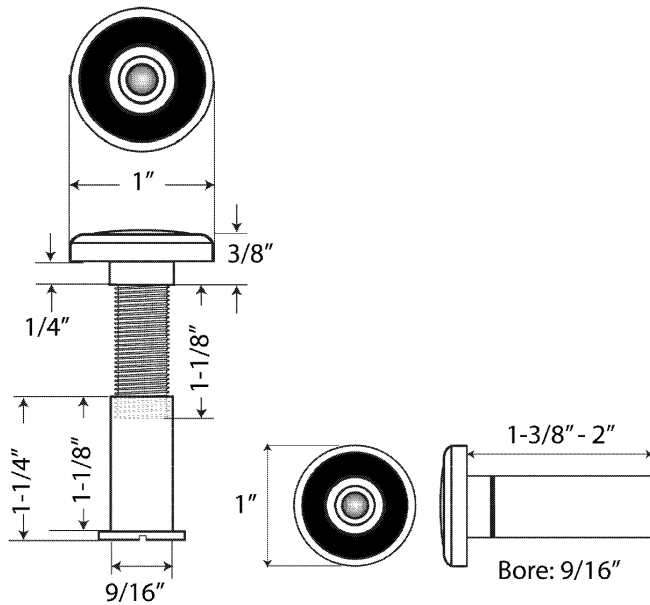
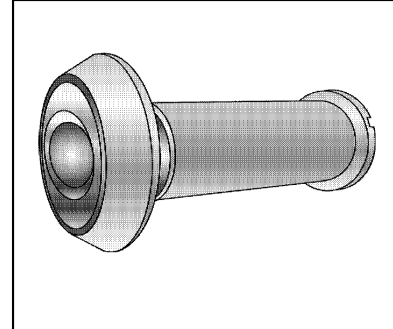
© 2017 Allegion | MR-2072-ACC Rev. 5-17 | allegion.com



DV180

Brass Door Viewer, 180°

- ⊙ 9/16" Bore
- ⊙ Plastic Lens
- ⊙ For Doors 1-3/8" to 2" thick
- ⊙ Individually poly-bagged and boxed
- ⊙ Conforms to ANSI/BHMA A156.16 L23172
- ⊙ Architectural finishes available



Cal-Royal Products, Inc.

6605 Flotilla St., City of Commerce, CA 90040 U.S.A.

Phone: (323) 888-6601 • (800) 876-9258 • Fax: (323) 888-6699 • (800) 222-3316

Email: sales@cal-royal.com • Website: www.cal-royal.com

The illustration and technical description in this Specification Sheet is current as of the date in the version box above. Cal-Royal Product reserves the right to, and may frequently make changes and/or improvements in designs and dimensions.



ADA



DAYTON DGE233214
33X22 4H 2B SS TM KITC SINK *DAYTON



IPSCORPORA I82234
WHIT 36 BASIN GUARD UNDER SINK ENC



PROFLO PF5514WH
20X18 3H ADA WM 4 CC LAV WHIT



IPSCORPORA I82205
LAV SHIELD



PROFLO PFCT103HEWH
CCY 1.28 COMP ADA HET W/SEAT WR WH



BRADLEY B740018300
18X30 FIXED TILT MIR SSST

ADA



MOEN M52224GBM15CBN
1.56 GPM 24 SLDBR G/BAR SHWR



MOEN M114348BN
@ HH SHR BRKT BN



PROFLO PF7600SZBN
1HDL LEV VLV ONLY TRIM BN



PROFLO PF4001
CRMC T&S VLV MIP & SWT W/ STOPS



AQUATICIND A16037BFSDRWH
60X37 ADA SHWR BARS SEAT RH WHIT
*ADA Configuration unless otherwise specified
**Shower trim/valve not included



AQUATICIND A1603BFSDRWH
60X34 ADA SHWR W/ RS & BAR WHIT
*Roll-In Shower w/ADA Configuration unless otherwise specified
**Shower trim/valve not included

ADA



AQUATICBATHWARE A1363BFSDRWH

36X36 SHWR W/ RH SEAT & G/BAR WHIT

*Transfer Shower w/ADA Configuration unless otherwise specified

**Shower trim/valve not included



GEAPPLIANC GJB480DMBB

30 FS ELEC RADI SMOOTH CKTP RANGE

*ADA Range

**Customer to advise if gas model required

DAYTON®
SPECIFICATIONS

Dayton® Stainless Steel Double Bowl Top Mount Sink
Mount Sink
Model(s) **GE23321**

PRODUCT SPECIFICATIONS

Dayton® Stainless Steel Double Bowl Top Mount Sink. Overall dimensions are 33" x 21-1/4" x 5-3/8". Sink is manufactured from 22 gauge 300 series Stainless Steel with a Satin finish, Rear Center drain placement and Bottom only spray.

Installation Type:	Top Mount
Material:	300 series Stainless Steel
Finish:	Satin
Gauge:	22
Sound Deadening:	Bottom only spray
Number of Bowls:	2
Sink Dimensions:	33" x 21-1/4" x 5-3/8"
Bowl 1 Dimensions:	14" x 15-3/4" x 5-1/4"
Bowl 2 Dimensions:	14" x 15-3/4" x 5-1/4"
Drain Size:	3-1/2" (89mm)
Drain Location:	Rear Center
Minimum Cabinet Size:	36"
Mounting Hardware:	Part # 64090012 included for countertops up to 3/4" (19mm) thick
Cutout Template #:	1000001288

Template is available for download at [elkay.com](#)

Cutout Dimensions for Top Mount Installation:

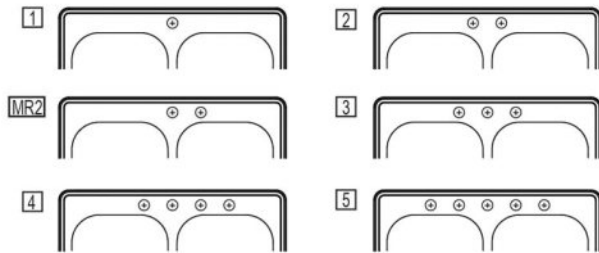
32-3/8" x 20-5/8" (822mm x 524mm) with 1-1/2" (38mm) corner radius



This sink is compliant to ADA and ANSI/ICC A117.1 accessibility requirements when installed according to the requirements outlined in these standards.

Hole Drilling Configurations:

1-1/2" (38mm) Diameter Faucet Holes on 4" (102mm) Centers



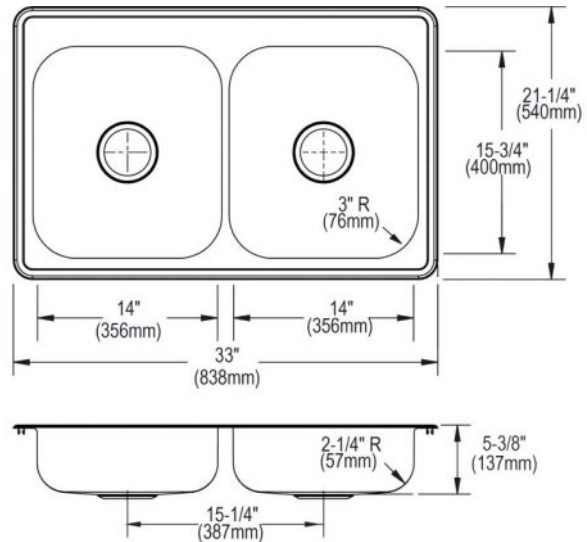
AMERICAN PRIDE. A LIFETIME TRADITION. Like your family, the Elkay family has values and traditions that endure. For almost a century, Elkay has been a family-owned and operated company, providing thousands of jobs that support our families and communities.



Sinks are listed by IAPMO® as meeting the applicable requirements of the Uniform Plumbing Code®, International Plumbing Code®, and National Plumbing Code of Canada.

Product Compliance: ADA
BUY AMERICAN ACT
ASME A112.19.3/CSA B45.4

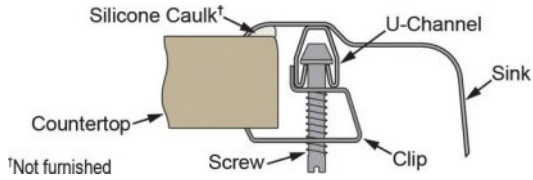
[Clean and Care Manual \(PDF\)](#)
[Installation Instructions \(PDF\)](#)
[Limited Lifetime Warranty \(PDF\)](#)



PART: _____ QTY: _____
 PROJECT: _____
 CONTACT: _____
 DATE: _____
 NOTES: _____
 APPROVAL: _____

In keeping with our policy of continuing product improvement, Elkay reserves the right to change product specifications without notice. Please visit [elkay.com](#) for the most current version of Elkay product specification sheets. This specification describes an Elkay product with design, quality, and functional benefits to the user. When making a comparison of other producers' offerings, be certain these features are not overlooked.

Installation Profile:



OPTIONAL ACCESSORIES

Cutting Board:	CB1516
Drain:	LK35L
Hardware:	LK364, LK463
Rinsing Basket:	LKWRB1316SS, LKWERBSS
Sinkmate:	LKSM17, LKSMHOOK, LKSMSPONGE, LKSMHSL

In keeping with our policy of continuing product improvement, Elkay reserves the right to change product specifications without notice. Please visit elkay.com for the most current version of Elkay product specification sheets. This specification describes an Elkay product with design, quality, and functional benefits to the user. When making a comparison of other producers' offerings, be certain these features are not overlooked.

ADA



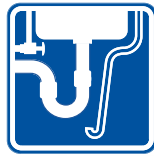
**Clean design
and durable
protection for
ADA-compliant
sinks and
lavatories
installed into
countertops**



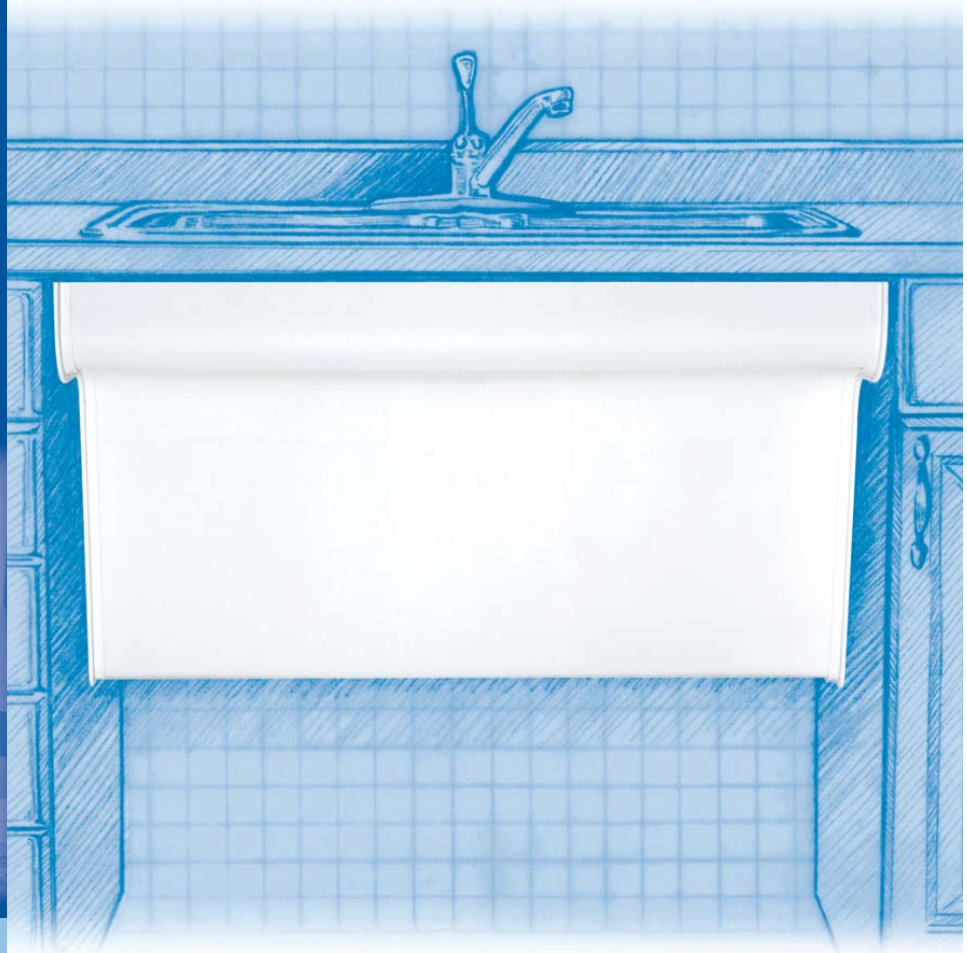
Interior designers appreciate the versatility of BASIN GUARD for easy application in homes, schools, commercial businesses, hotels, and more.

Since 1990, the TRUEBRO® product line has concentrated its efforts on "Making America Accessible" by creating products that address ADA-mandated undersink wheelchair accessibility.

Specifying TRUEBRO is your assurance of protecting people with disabilities while providing quality, durability, and improved aesthetics.



BASIN GUARD®
UNDERSINK PROTECTIVE ENCLOSURES



BASIN GUARD® is the latest design in undersink protection from TRUEBRO. This smooth, attractive enclosure conceals unsightly piping and mechanical connections, and still maintains ADA mandated knee and foot clearance. BASIN GUARD can be installed under kitchen, classroom, and lavatory sinks where counter tops and sidewalls are present. Bottom opening allows for easy service access.





Features and Benefits:

ADA-conforming design protects wheelchair users from scalding and sharp, abrasive surfaces.

When installed, all plumbing and mechanical components are concealed.

36" and 42" enclosures are easy to specify, stock and install.

The BASIN GUARD may be used with virtually any ADA-compliant sink or restroom lavatory where countertops and sidewalls are present. Such sinks are commonly specified in H.U.D. housing, elderly housing, condominiums, hotels, motels, and schools with in-classroom sinks.

High-impact, UV-protected vinyl maximizes product life cycle.

The BASIN GUARD is molded from impact-resistant, stain-resistant, and chemical-resistant protective vinyl for durability, safety, and long life.

"Front shield" design protects undersink components from tampering.

Durable, heavy-duty enclosure conceals all continuous-waste piping, electronic faucet connections, dishwasher connections, garbage disposals, mixing valves, trap primers, and instantaneous hot water heaters.

Strict code compliance minimizes risk.

The BASIN GUARD complies with ADA article 4.19.4, California Plumbing Code 1504.2.1, ANSI A117.1, BOCA P 1203.4, and other state and local regulations. BASIN GUARD also has a flammability resistance, tested in accordance with Underwriters Laboratories for the UL 94 standard with a V-0 rating.



Available in white or beige (as shown above).

Suggested Specification:

ADA-compliant wheelchair accessible lavatories with countertops and sidewalls shall be equipped with the molded TRUEBRO, INC. BASIN GUARD undersink protective enclosure (Model #36 for 36" wide or #42 for 42" wide), Color: beige or white.

10/10

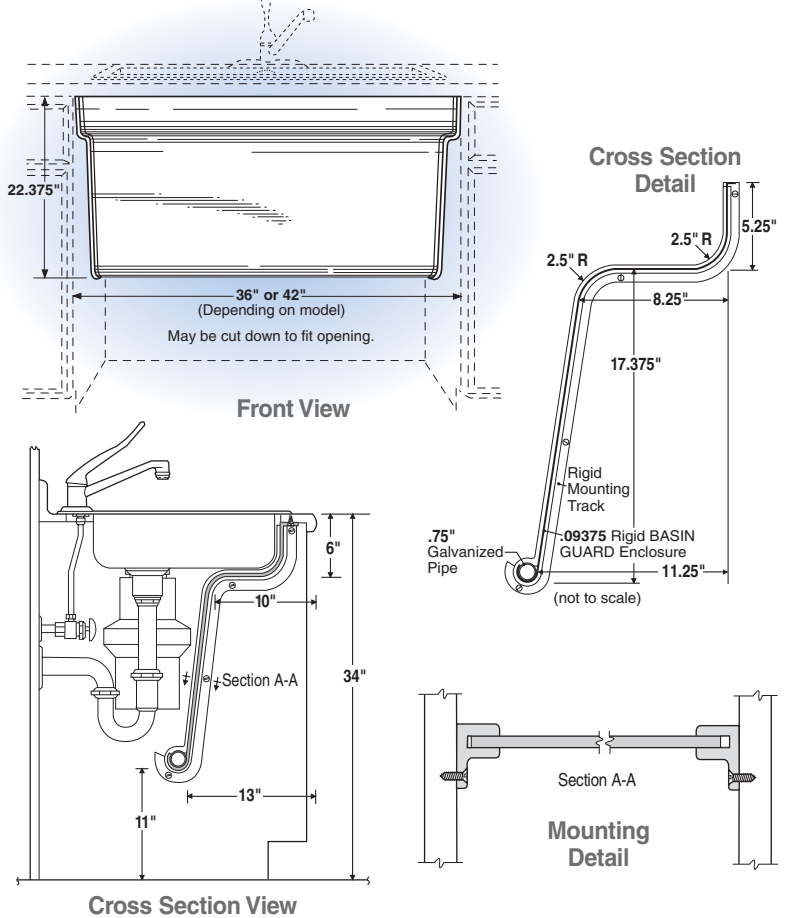
Specifications:

Material	Rigid high-impact, stain-resistant PVC
Nominal Wall	.093" constant
Finish	Fine haircell
UV Protection	Will not fade or discolor
Durability	Virtually indestructible
Fasteners	Eight (8) – #6 X 1/2" screws
Color	White or beige
Paintability	Apply acrylic enamel or latex paint
Flammability	UL-94 V-0, 5VB

Models:

#36	36" wide – available in white or beige
#42	42" wide – available in white or beige

Specifications may change without notice.



500 Distribution Parkway, Collierville, TN 38017
 1-800-888-8312 • 901-853-5001 • FAX: 901-853-5008
 watertite@ipscorp.com • www.ipscorp.com/truebro



BASIN GUARD CLASSIFIED BY UNDERWRITERS LABORATORIES, INC.* IN ACCORDANCE WITH ADA article 4.19.4.22FF

U.S. and Canadian Patents: 77,065, D375,154

PF5514/PF5518

Wall Hung Lavatories



Product Features

- 20" x 18" Wall hung lavatory
- Available with 4" and 8" faucet drillings
- ADA compliant
- High back splash
- Concealed arm carrier connection (arm carriers not included)
- Wall mount bracket included
- Concealed front overflow



PF5518WH

Color Specifications

White

Model Numbers

- PF5511WH** 20" x 18" single hole lavatory, white
- PF5514WH** 20" x 18" 3 hole, 4" centerset lavatory, white
- PF5518WH** 20" x 18" 3 hole, 8" widespread lavatory, white

Available Parts

- PFWMBKT** Replacement wall mount bracket

Warranty and Codes

These products come complete with installation, operating, care and maintenance instructions. All PROFLO fixtures carry a 1-year limited warranty. In an effort to continually improve our products, FEI will make design changes from time to time. We reserve the right to ship newly designed product to fill any order unless we agree in writing to do otherwise. This product meets or exceeds ASME/ANSI A112.19.2M.



PF5514/PF5518

Wall Hung Lavatories



Product Features

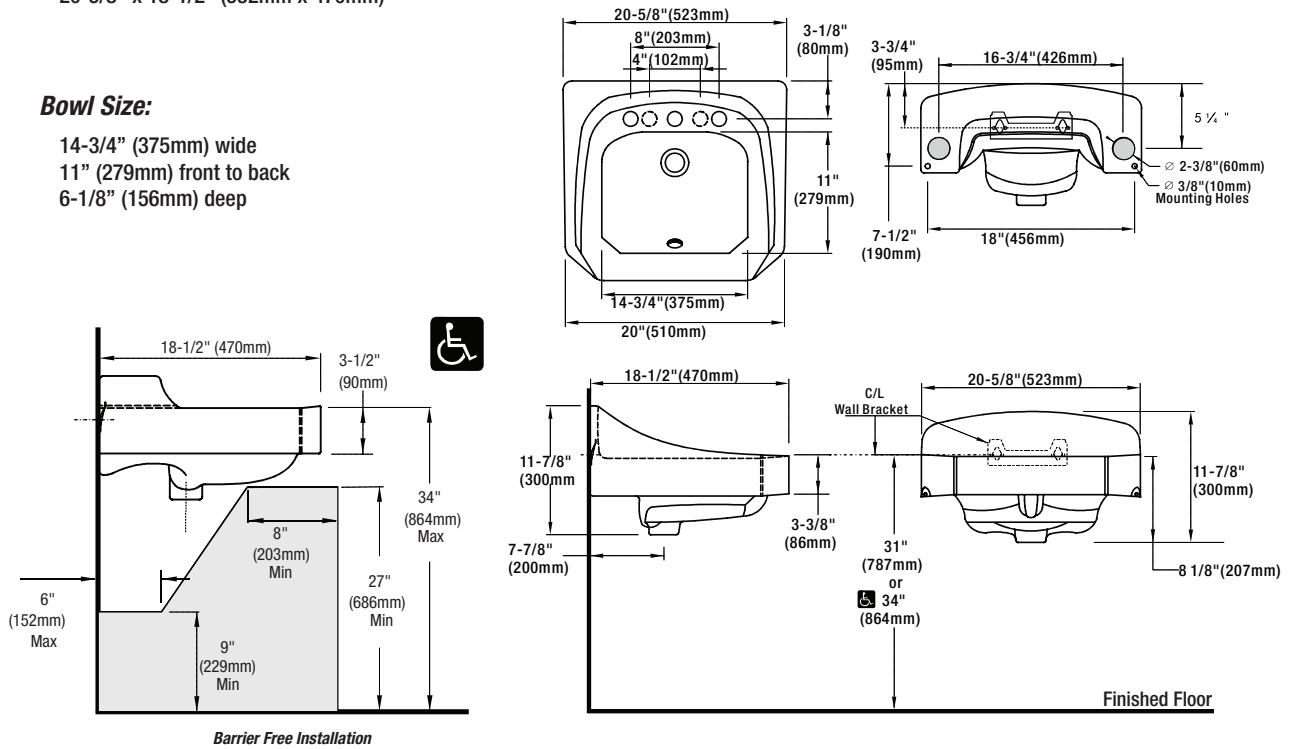
The wall mount lavatory shall be 20" x 18". Lavatory shall be made of vitreous china. Lavatory shall have 8" centers (PF5518), or 4" centers (PF5514). Lavatory shall include overflow.

Nominal Dimensions:

20-5/8" x 18-1/2" (523mm x 470mm)

Bowl Size:

14-3/4" (375mm) wide
 11" (279mm) front to back
 6-1/8" (156mm) deep



LAVATORY PROTECTIVE ENCLOSURES

LAV SHIELD®

Overview

Lav Shield® represents the “next generation” of ADA compliant undersink protection by meeting mandated knee and toe clearance requirements for wheelchair users. Durable, single-piece construction prevents pipe and component tampering, and conceals all lavatory piping, electronic faucet connections, mixing valves, trap primers, and instantaneous water heaters*— a truly attractive alternative to individual component covers that will satisfy even the most discriminating designer.

TOTAL ENCLOSURE DESIGN

Heavy-duty, vandal-resistant enclosure shields all piping, electronic faucet connections, mixing valves, trap primers, and instantaneous water heaters*. Vandal-resistant fasteners are available upon request.

SANITARY ADVANTAGES

Lav Shield contains an antimicrobial additive to resist fungal and bacterial growth making the Lav Shield an excellent cover to use in medical and health care facilities. Installing Lav Shield in these facilities eliminates the need to sanitize P-Traps, angle stops, supply lines and electrical components.

ADA-CONFORMING ATTRACTIVE PROFILE

The Lav Shield tastefully conceals all unsightly plumbing and components while satisfying ADA dimensional requirements.

STRICT CODE COMPLIANCE MINIMIZES RISK

The Lav Shield complies with ASME A112.18.9-2001, ADA article 4.19.4 (606.5), California P 1504B, ANSI A117.1, BOCA P 1203.4, and other state and local regulations.

EASY-TO-SERVICE SINGLE-PIECE CONFIGURATION

The Lav Shield may be quickly removed for convenient, unhindered access to all plumbing and mechanical components. Reinstallation takes just minutes.

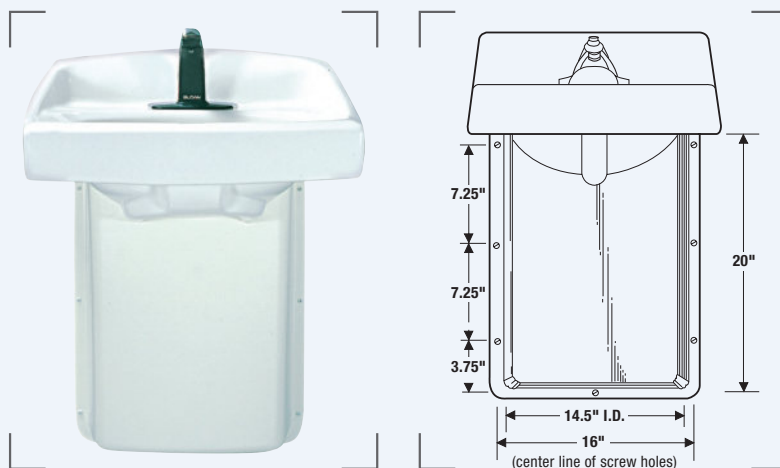
WIDE VARIETY OF CUSTOM OPTIONS

Available in our standard field fit model which allows contractor to custom fit Lav Shield to underside of lavatory. For an even faster and more tailored fit, Lav Shield can be purchased factory pre-cut to the underside geometry of the actual lavatory being installed. Pre-cut models are listed on following page.

RIGID HIGH-IMPACT, STAIN-RESISTANT PVC

The Lav Shield is molded from impact-resistant, stain-resistant and chemical-resistant rigid vinyl for durability, safety and long life.

NOW AVAILABLE IN
CUSTOM FINISHES



*Lavatory “rough in” should be considered to allow mounting room for instantaneous water heater behind enclosure. Contact TRUEBRO for specifications.



MADE IN THE USA



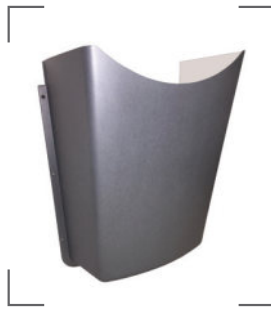
ADA COMPLIANT

ATTRACTIVE DESIGNER-STYLE,
TAMPER-RESISTANT, THE ULTIMATE
ADA-ENGINEERED PROTECTIVE
LAVATORY ENCLOSURE

LAVATORY PROTECTIVE ENCLOSURES

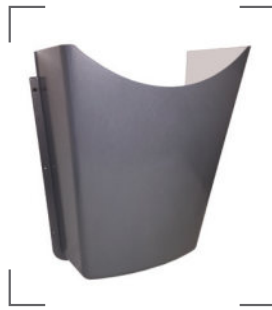
Custom Finish Lav Shields

The already attractive ADA compliant Lav Shield is now available in 10+ custom finishes to meet any designer needs. Custom finish Lav Shields are only available in the standard, fit to field, Lav Shield.



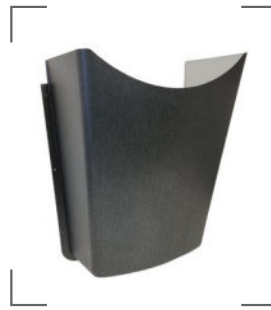
**ARCHITECTURAL
BRUSHED ALUMINUM**

Product: 82721
Model: WTP-907



STAINLESS STEEL

Product: 82722
Model: WTP-270



**STAINLESS STEEL
OVER BLACK**

Product: 82723
Model: WTP-270B



**ITALIAN LEATHER
ESPRESSO**

Product: 82736
Model: WTP-715



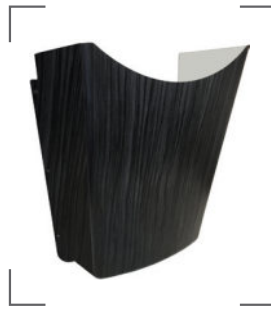
ROSEWOOD

Product: 82726
Model: WTP-488



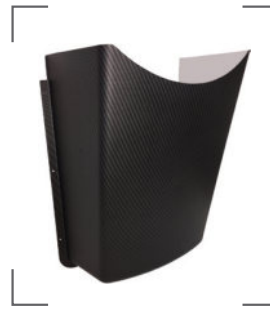
BURLWOOD

Product: 82727
Model: WTP-496



MONACO WALNUT

Product: 82728
Model: WTP-538



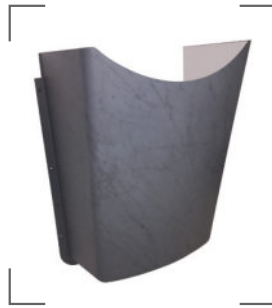
SPORT CARBON

Product: 82741
Model: WTP-940



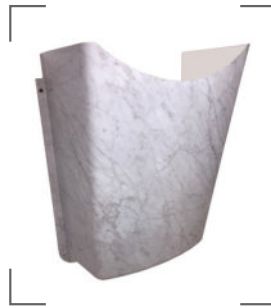
BLACK MARBLE

Product: 82731
Model: WTP-512



GRAY MARBLE

Product: 82732
Model: WTP-659G



**ARCHITECTURAL
WHITE MARBLE**

Product: 82733
Model: WTP-659W

LAV SHIELD® LAVATORY PROTECTIVE ENCLOSURES

SPECIFICATIONS

Material	Rigid high-impact, stain-resistant PVC
Nominal Wall	.093"
Finish	Fine haircell
UV Protection	Will not fade or discolor
Durability	Virtually indestructible — tamper resistant screws available
Fasteners	7 stainless steel screws and wall anchors provided
Color	China white
Compatibility	Fits all ADA-conforming 20"x18" wall-hung lavatories
Paintability	Acrylic enamel or latex
UL Listing	In accordance with ADA Article 4.19.4 (606.5)
Flammability	UL-94 V-0, 5VA ASTM D-635-91 4 (ATB) 2.1 (AEB)
Bacterial/Fungal	ASTM G21 and G22 — Result 0

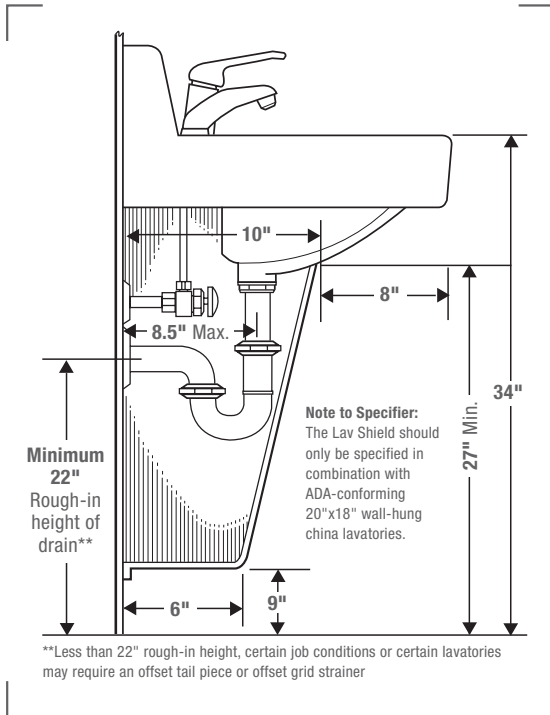
STANDARD MODELS

Model #20181	Standard (For field fit)
---------------------	--------------------------

CUSTOM FACTORY PRE-CUT MODELS

Pre-cut models are not returnable

Model: 2018-AS-C1	American Standard Comrade
Model: 2018-AS-D1	American Standard Declyn
Model: 2018-AS-L1	American Standard Lucerne
Model: 2018-AS-M1	American Standard Muro
Model: 2018-AS-OL1	American Standard Lucerne (old)
Model: 2018-AS-P1	American Standard Penlyn
Model: 2018-AS-R1	American Standard Roxalyn
Model: 2018-BD-I1	Bradley Imperial
Model: 2018-BR-M1	Briggs Milton
Model: 2018-BR-W1	Briggs Whitman
Model: 2018-CR-H1	Crane Harwich
Model: 2018-CR-N1	Crane Norwich
Model: 2018-CR-W1	Crane Westmont
Model: 2018-CR-Y1	Crane Yorkshire
Model: 2018-EL-B1	Eljer Blair
Model: 2018-EL-D1	Eljer Delwyn
Model: 2018-EL-M1	Eljer Mayburne
Model: 2018-EL-S1	Eljer Signature
Model: 2018-EL-U1	Eljer Bucknell
Model: 2018-GR-H1	Gerber Hayes
Model: 018-GR-M1	Gerber Monticello
Model: 2018-GR-P1	Gerber Plymouth
Model: 2018-KO-B1	Kohler Brenham
Model: 2018-KO-C1	Kohler Chesapeake
Model: 2018-KO-G1	Kohler Greenwich, Model 202
Model: 2018-KON-G1	Kohler Greenwich, Model 203
Model: 2018-KO-H1	Kohler Hudson
Model: 2018-KO-K1	Kohler Kingston
Model: 2018-KO-P1	Kohler Pinoir
Model: 2018-KO-S1	Kohler Soho
Model: 2018-MAN1	Mansfield Grand Isle
Model: 2018-SL-SS1	Sloan SS-3003
Model: 2018-TO-L1	Toto LT307
Model: 2018-ZN-Z1	Zum Z5344
Model: 2018-ZN-NZ1	Zum Z5344



Note: Model numbers listed on this page are for single pack Lav Shields. For bulk pack items, change the 1 in the model to a 4.

PFCT100HE, PFCT101HE, PFCT103HE



High-Efficiency Complete Toilet

Product Features

- Includes two-piece toilet combination, plastic toilet seat, wax ring and flange bolts - all in one box
- 1.28GPF HET, High Efficiency Toilet
- Gravity fed, jetted box rim
- 8" x 9" water surface
- Close coupled tank with cover
- Standard color match trip lever
- Available round front, elongated and ADA
- Anti-siphon fill valve
- Sanitary Bar on all bowls
- Uses 20% less water than standard low consumption toilets
- EPA WaterSense Certified
- Meets ANSI ASME A112.19.14-2006 and ASME A112.19.2M



PFCT101HEWH

Codes and Standards

- ADA (PFCT103HE)
- IAPMO/UPC
- ASME A112.19.2
- CSA B45.0
- CSA B45.1

Model Numbers

PFCT100HEWH	2pc RF HET with seat, wax ring and bolts, white
PFCT101HEWH	2pc EL HET with seat, wax ring and bolts, white
PFCT103HEWH	2pc ADA HET with seat, wax ring and bolts, white



PFCT100HE, PFCT101HE, PFCT103HE

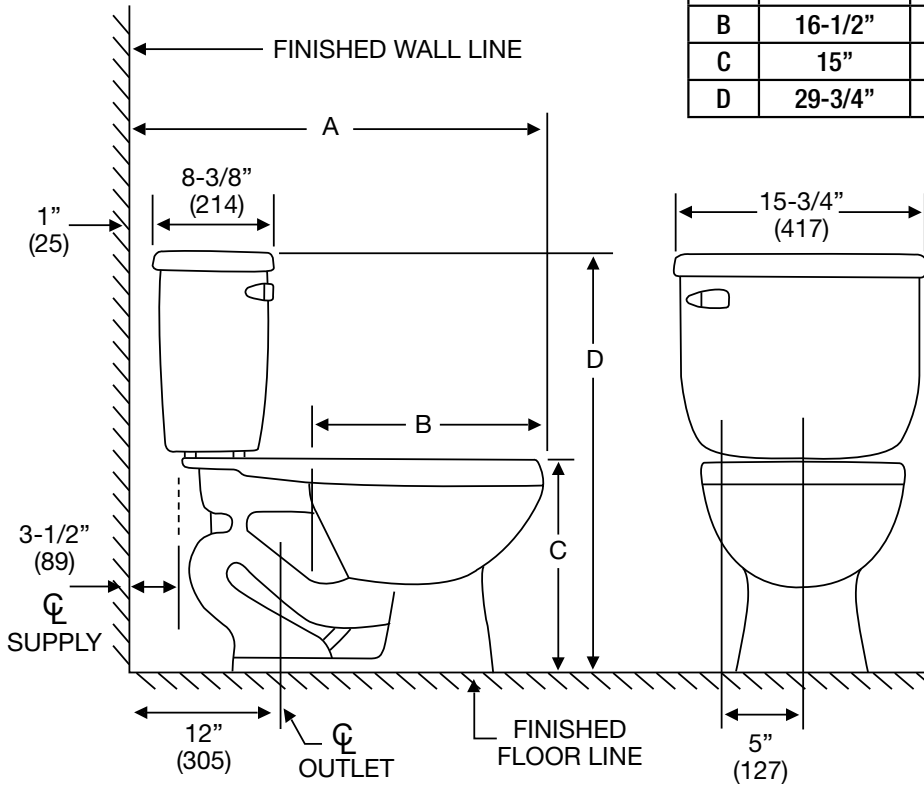


High-Efficiency Complete Toilet

Product Specification

The combination toilet shall be made of vitreous china. Toilet shall be 1.28 gpf (4.8 lpf). Toilet shall have 2" (5.1cm) fully glazed trapway. Toilet shall include color match trip lever. Toilet shall be less seat and supply. Toilet shall be ADA compliant (PFCT103HE) with 17" high bowl.

	RF	EL	ADA
	PFCT100HE	PFCT101HE	PFCT103HE
A	28-1/2"	30-1/2"	30-1/2"
B	16-1/2"	18-1/2"	18-1/2"
C	15"	15"	17"
D	29-3/4"	29-3/4"	31-1/4"



Warranty and Codes

This product comes complete with installation, operating, care and maintenance instructions. All PROFLO fixtures carry a 1- year limited warranty. This product meets or exceeds ASME/ANSI A112.19.2M. In an effort to continually improve our products, we will make design changes from time to time. We reserve the right to ship newly designed product to fill any order unless we agree in writing to do otherwise.





Fix tilt mirror with welded corners:

- Standard Model 740-1830 (18" x 30") **Bradex**[®]
- Standard Model 740-1836 (18" x 36") **Bradex**[®]
- Standard Model 740-2436 (24" x 36") **Bradex**[®]
- Model 740-XXXX (Specify width and height)

Product Materials

FRAME: 20 gauge stainless steel, corners welded and ground smooth to satin finish. 20 gauge angle stiffeners welded to frame provide additional rigidity.

BACK: galvanized steel, secured to frame with concealed screws equipped with integral horizontal hanging brackets.

MIRROR: first quality 1/4" float glass, thermosetting infrared-cured paint backing with Poly-Glaze protective finish. Manufactured in accordance with ASTM C 1036 and ASTM C 1503. The back of the mirror is protected by a wedge of extruded polystyrene, which is placed between the mirror and the galvanized steel.

WALL HANGER: 18 gauge cold-rolled steel, all welded construction to form rigid template.



Optional Features

Features	Suffix
<input type="checkbox"/> 1/4" tempered glass mirror in lieu of polished float glass mirror*	-2
<input type="checkbox"/> Laminate glass	-3
<input type="checkbox"/> Highly polished No. 8 architectural finish, 20 gauge stainless steel in lieu of polished float glass mirror	-4
<input type="checkbox"/> Bright annealed 20 gauge stainless steel in lieu of polished float glass mirror	-5
<input type="checkbox"/> Plexiglas [®]	-6

*Either the Length (L) or the Width (W) must be greater than 25".

- An inherent characteristic of a manufacturing process for tempered glass is distortion which may vary from mirror to mirror.
- Stainless steel mirrors will differ in optic quality from glass mirrors.
- In larger sizes, stainless mirrors are subject to distortion and/or "oil canning" for which Bradley Corporation cannot accept responsibility.
- Bradley mirrors are not field interchangeable from horizontal to vertical or vice versa. **Always specify width first.**

Installation

Verify all rough-in dimensions prior to installation. Secure concealed mounting bracket to wall with screws (not included) at holes provided. Provide in-wall backing at mounting screw locations. Position mirror over mounting bracket to engage hanger tabs. Slide mirror down and lock into position.

Guide Specification

Fixed tilt mirror shall be framed with 20 gauge stainless steel with 20 gauge concealed stiffeners. Welded corners shall be polished to a uniform satin finish. Mirror shall be of first quality 1/4" float glass guaranteed for 15 years against silver spoilage and protected by a shock-absorbing, waterproof foam filler with Poly-Glaze protective finish. Back of unit shall be galvanized steel secured to frame with concealed screws, equipped with integral horizontal hanging brackets and separate wall hanger for concealed mounting.

Fixed Tilt Framed Mirror shall be Bradley Model 740-_____ " W x _____ " H (specify width and height).

ADA Compliant

- Consult local and national accessibility codes for proper installation guidelines.
- Conformity and compliance to local and national codes is the responsibility of the installer.

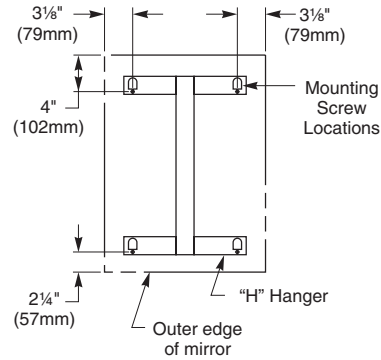
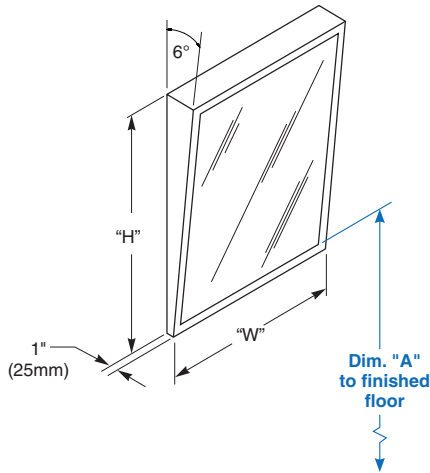
Orders composed of products indicated as **Bradex**[®] will be available to ship in three days after receipt of order at the factory. There is no pricing penalty for this service from Bradley.

Page 1 of 2
This information is subject to change without notice.
Bradley_Mirror_740

© 2014 Bradley
P.O. Box 309, Menomonee Falls, WI 53052-0309
800 BRADLEY (800 272 3539) +1 262 251 6000
bradleycorp.com



Dimensions



Bradex® Models

Width (Inches) W	Height (Inches) H	Overall Dimension (Inches)	Overall Dimensions (Millimeters)	Standard Model Number
18"	30"	18 x 30	457 x 762	740-1830
18"	36"	18 x 36	457 x 914	740-1836
24"	36"	24 x 36	610 x 914	740-2436

Model 740 series angle framed mirrors can be fabricated to a maximum size of 48"W x 48"H.

Dim. "A" Key Surface:	For Dim. "A"	Bottom of Unit
Mirror's bottom edge of the reflecting surface to finished floor	40" (1016mm)	39 1/4" (997mm)
	37" (940mm)	36 1/4" (921mm)
	34" (864mm)	33 1/4" (845mm)
Rough wall opening:		
Surface Mount:	No rough wall opening, see overall dimensions	

Orders composed of products indicated as **Bradex®** will be available to ship in three days after receipt of order at the factory. There is no pricing penalty for this service from Bradley.

Page 2 of 2
This information is subject to change without notice.
Bradley_Mirror_740

12/19/2012

© 2014 Bradley
P.O. Box 309, Menomonee Falls, WI 53052-0309
800 BRADLEY (800 272 3539) +1 262 251 6000
bradleycorp.com



Specifications

DESCRIPTION

- Metal and brass construction with Chrome plated finish, also in Classic Brushed Nickel (CBN) finish
- Single function handheld shower with non-positive shut off
- Contains: hand-held shower, stainless steel, 1 1/2" dia. slide bar grab bar, drop ell, vacuum breaker, 69" metal hose and mounting hardware
- Easy cleaning rubber nozzles

FLOW

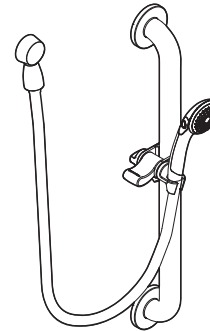
- 1.1 gpm (4.2 L/min) minimum at 45 psi
- 1.5 gpm (5.7 L/min) maximum at 80 psi

STANDARDS

- Third party certified to Watersense®, ASME A112.18.1/CSA B-125.1, ASSE 1014 and all applicable requirements referenced therein
- Includes ADA compliant grab bar

WARRANTY

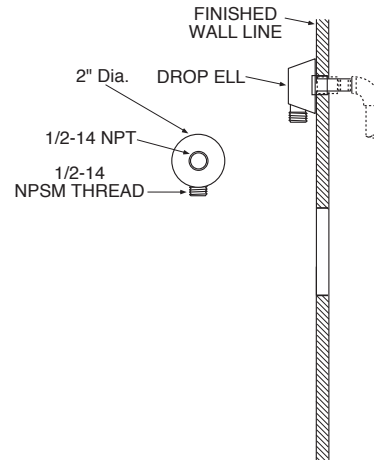
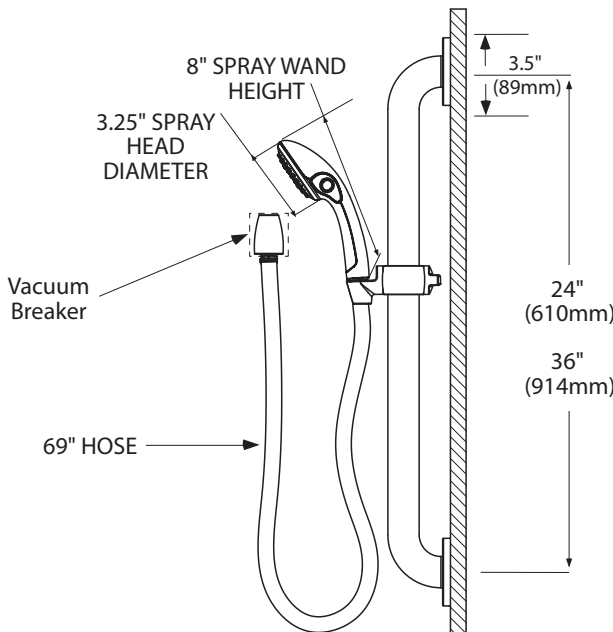
- Warranted for 5 years against material or manufacturing defects



Handheld With Slide Bar/Grab Bar



- Model:** 52224GBM15 (24" Grab Bar)
 52224GBM15CBN (24" Grab Bar)
 52236GBM15 (36" Grab Bar)
 52236GBM15CBN (36" Grab Bar)



CRITICAL DIMENSIONS

(DO NOT SCALE)



Buy it for looks. Buy it for life.®

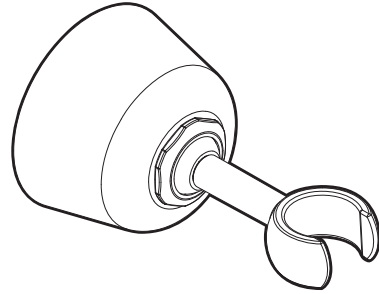
Specifications

DESCRIPTION

- Metal construction with various finishes identified by suffix

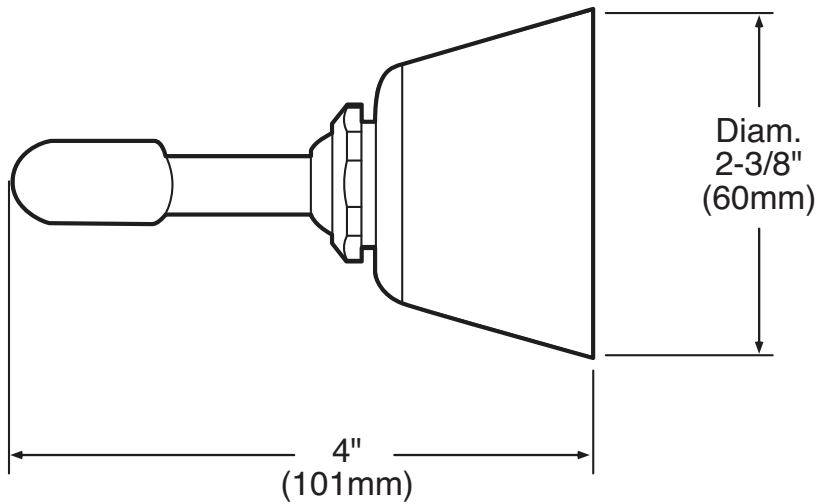
WARRANTY

- Lifetime limited warranty against leaks, drips and finish defects to the original consumer purchaser
- 5 year warranty if used in commercial installations



WALL BRACKET

Models: 114348 series



CRITICAL DIMENSIONS

(DO NOT SCALE)

FOR MORE INFORMATION: 1-800-BUY-MOEN

www.moen.com

Specifications

PF7600S SERIES

SHOWER HANDLE TRIM KIT



Product Features

- Metal lever handle
- cUPC/IAPMO Listed
- ADA Compliant
- Use with PF4001 series valve

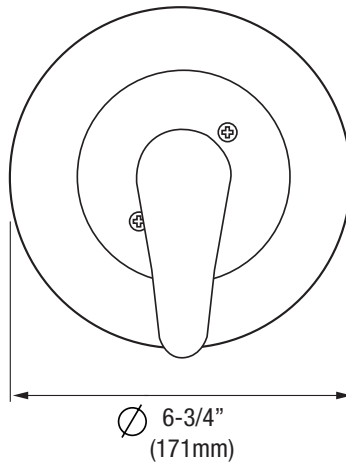


PF7600SCP

Model Numbers:

- PF7600SCP Chrome
- PF7600SZBN Brushed nickel

Product Specifications



* All measurements are nominal. Please verify before actual installation.

Warranty and Codes

This product comes complete with installation, operating, care and maintenance instructions. This PROFLO faucet carries a limited lifetime warranty when installed in residential applications. The warranty is five years in commercial applications. This product meets ASME: A112.18.1. Compliant with lead content requirements of US Senate Bill S.3874.



©2021 Ferguson Enterprises, LLC. FG 10/2021-A

FERGUSON.COM/PROFLO

PF4001

Pressure Balance Tub And Shower Faucet Valve With Stop



Product Features

- Pressure balance valve with integral stops
- One-piece cartridge design for ease of maintenance
- Ceramic disc valve cartridge
- Back-to-back capability
- Cast bronze valve body
- Optional air test cap available
- Adjustable temperature limit stop
- IAPMO Approved
- Quick remove plaster guard
- Easy mounting brackets
- Meets or exceeds ASSE 1016-P standards (anti-scald)

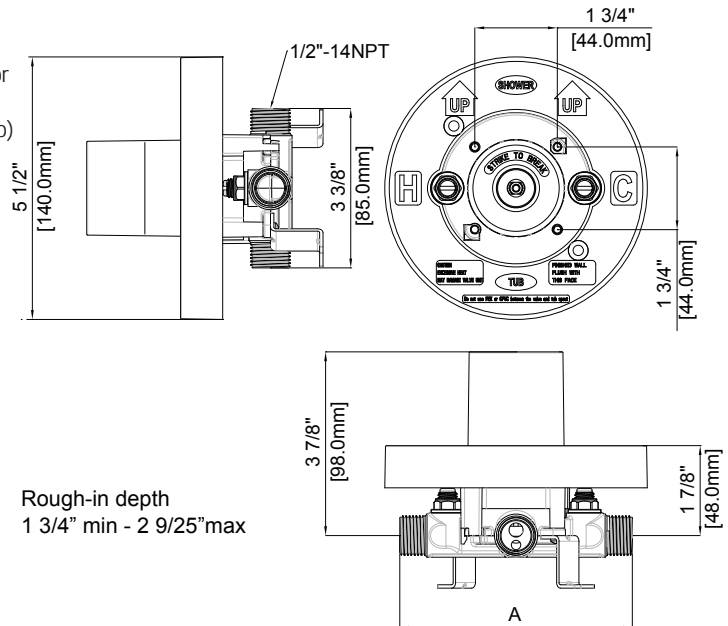


PF4001

Model Numbers

- PF4001** Ceramic disc tub and shower valve with stops 1/2" MIP and SWT
- PF4001C** Ceramic disc tub and shower valve with stops CPVC connection
- PF4001F** Ceramic disc tub and shower valve with stops FIP
- PF4001P** Ceramic disc tub and shower valve with stops PEX ASTM F1807 crimp connector
- PF4001WP** Ceramic disc tub and shower valve with stops PEX ASTM F1960 Uponor (Wirsbo) connector

Product Specifications



Available Parts

- ACF4001UCRT** Replacement cartridge assembly
- ACF4001AIR** Air test cap
- ACF4001GRD** Plaster guard
- ACF4001EXTCP** Deep rough extension kit CP
- ACF4001EXTBN** Deep rough extension kit BN
- ACF4001EXTORB** Deep rough extension kit ORB
- ACF4001EXTPN** Deep rough extension kit PN
- ACF4001STOP** Stop valve

	A (in)	A (mm)
PF4001	4 7/8	124
PF4001C	6	152
PF4001F	4 7/8	124
PF4001P	6 1/8	155
PF4001WP	6 3/8	162

FLOW RATES (GALLONS PER MINUTE)

PF4001 VALVES	20psi	30psi	40psi	50psi	60psi	70psi	80psi
WITH STOPS	3.17	3.83	4.49	5.02	5.55	5.94	6.34

Warranty and Codes

This product comes complete with installation, operating, care and maintenance instructions. This PROFLO faucet carries a limited lifetime warranty when installed in residential applications. The warranty is five years in commercial applications. This product meets ASME A112.18.1 and ASSE 1016-P.

Distributed Exclusively by Ferguson and Wolseley Canada
©2018 Ferguson Enterprises, Inc. All Rights Reserved



08/03/18 Rev.C



Submittal Sheet

Aquatic products may be specified as Lasco Bathroom.

16037BFSD

ANSI Compliant with Seat

CUSTOMER: _____
 JOB NAME: _____
 PO #: _____
 QUOTE #: _____ QUANTITY: _____
 SHIP TO: _____

PLUMBING CONTRACTOR APPROVAL _____ /_____/_____
 DATE
 GENERAL CONTRACTOR APPROVAL _____ /_____/_____
 DATE
 ENGINEER APPROVAL _____ /_____/_____
 DATE
 ARCHITECT APPROVAL _____ /_____/_____
 DATE

STANDARD FEATURES

- Code compliant when fully equipped and installed according to guidelines
- Pre-leveled base
- Barrier-free design
- Center drain location
- Slip resistant, textured bottom [ASTM F-462]

CONFIGURATION

- Fully equipped with seat — ANSI
- Seat location LH RH
- Includes one 28" x 1½" diameter grab bar located on the side wall; One 30" x 1½" diameter grab bar located on the back wall; One 18" x 1½" diameter vertical grab bar; white-cushioned, L-shaped fold-up seat; pressure balancing mixing valve and hand-held shower assembly (on back wall offset seat), per ANSI guidelines

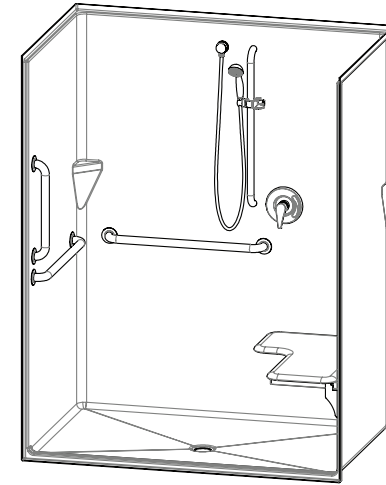
CUSTOM OPTIONS (not avail. if ANSI config. is selected)

- Fixture Wall LH RH Back Wall
- Grab bars:
 - One 28" (side wall) and one 30" (back wall)
 - Stainless steel (1½" dia.) LH RH
 - Powder-coated white (1¼" dia.) LH RH
- L-shaped fold-up seat LH RH
 - Cushioned white Phenolic teak Phenolic white
- Hand-held shower assembly with 30" slide bar and 60" hose
- Pressure balancing mixing valve

OPTIONAL ACCESSORIES (available for all models)

- Soap dish
- Curtain rod (Not ANSI compliant)
- Shower curtain
- Vinyl flexible dam
- Removable threshold
- Brass drain
- Colors:
 - Standard White
 - Upgraded Almond Biscuit Bone
 - Other (contact customer service for custom color options)
- Additional accessories:

For pricing of units and additional options, reference the Aquatic Price Book.



Int. Dim. 60 W x 36 ¾ D x 77 H
 Ext. Dim. 62 W x 39 ¾ D x 78 ¾ H
 Skirt Ht. 1" skirt, ¼" beveled threshold
 Packaged Wt. 212 lbs. gross
 Material AcrylX™ applied acrylic
 Warranty AcrylX™ Finished Products — Lifetime Limited (30 year commercial)

inches

IMPORTANT: ADA compliant showers with NO interior threshold will have water escape onto the bathroom floor. Aquatic highly recommends you take the following precautions:

1. Install only the minimum number of ADA units without an interior threshold required for each job. If possible install Aquatic's accessible models that have a ½" interior threshold to reduce the amount of water that escapes from the shower.
2. When installing units with NO interior threshold, install a FLOOR DRAIN to control the water that escapes onto the bathroom floor.
3. Depending on your application, you may choose to install Aquatic's vinyl flexible dam or removable threshold, which helps better retain water within the shower. However, these items may not necessarily meet ADA or other code requirements. Always confirm code compliance with your local building authority.

To complete your order, this document must be signed and faxed to the Aquatic Centralized Customer Service Center.

Fax (866) 544-5353 • Phone (800) 945-2726

For pricing of units and additional options, reference the Aquatic Price Book. • Please indicate custom changes on reverse side drawings.

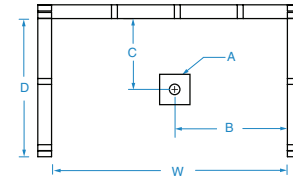
Rev. 01.25.18



Submittal Sheet

Aquatic products may be specified as Lasco Bathware.

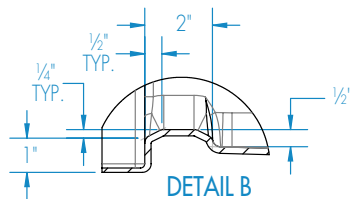
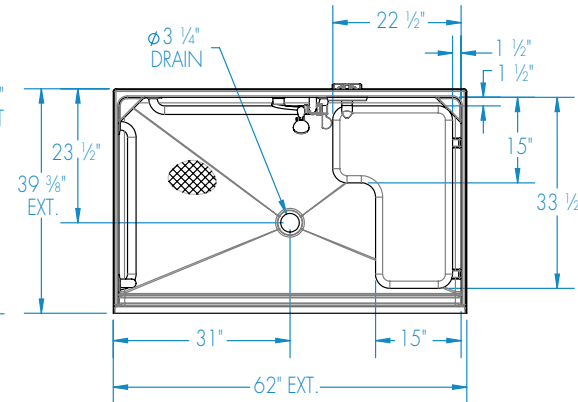
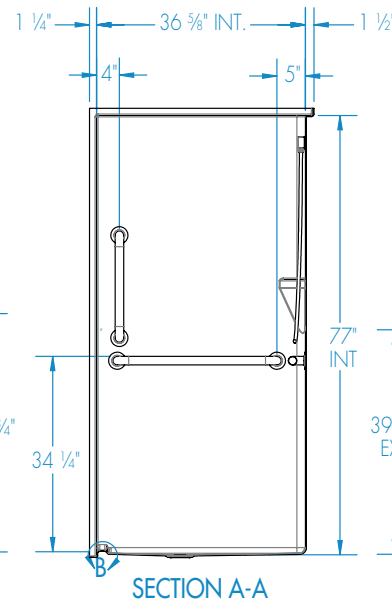
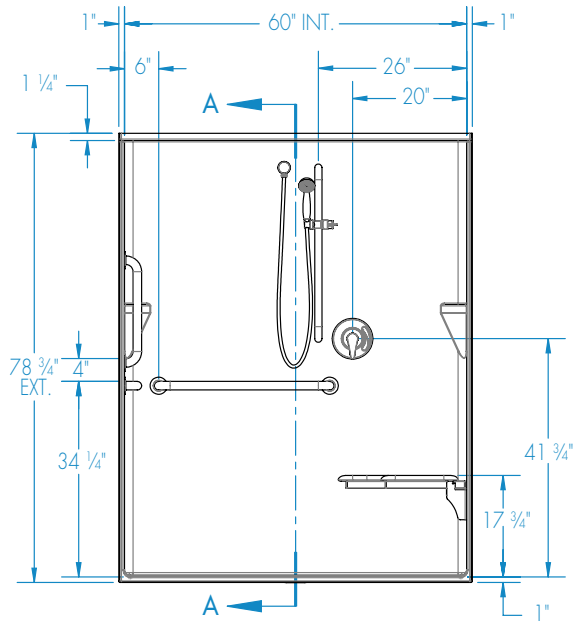
16037BFSD ANSI Compliant with Seat
Please indicate changes needed.



FRAMING DIMENSIONS inches

Type	D Depth	W Width	A	B	C
Alcove	39 3/8"	62 1/8"	Box Out	31"	23 1/2"

- Installation Options:
 1. Install in a recessed pit for rough-in floor installation.
 2. Build sub-floor to level finished floor with top of shower threshold.



Shell tolerance: +0, -3/8" All other tolerances: ±1"

ADA

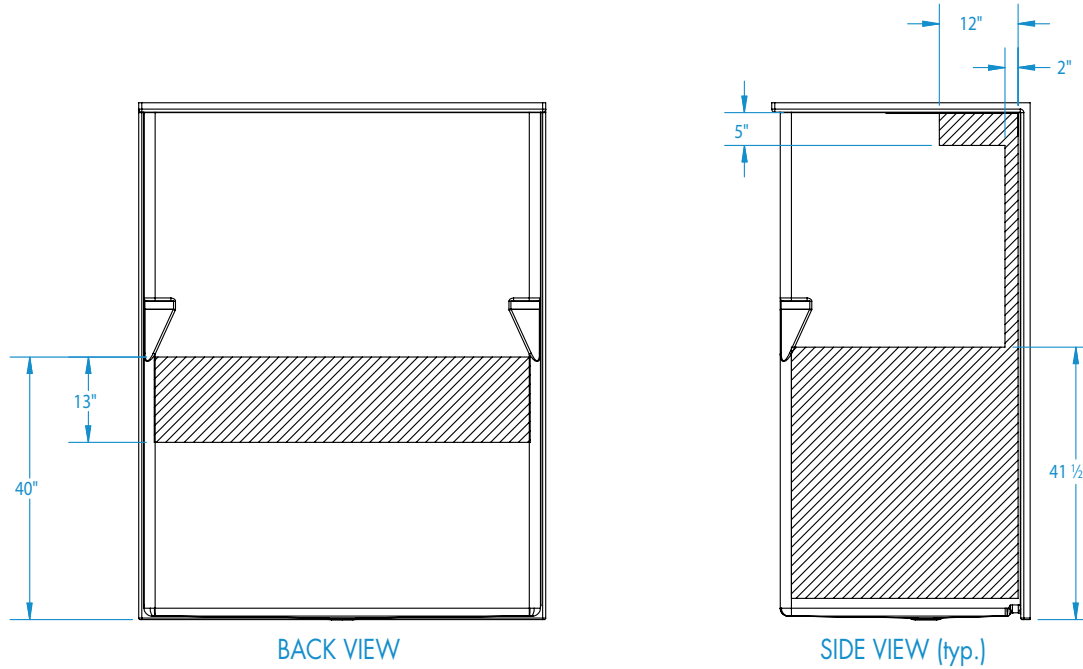


Submittal Sheet

Aquatic products may be specified as Lasco Bathware.

16037BFSD ANSI Compliant with Seat
Please indicate changes needed.

Reinforcement Locations (Standard)



 = GRAB BAR REINFORCEMENT

Shell tolerance: +0, - 3/8" All other tolerances: ±1"

FAX TO THE AQUATIC CENTRALIZED CUSTOMER SERVICE CENTER (866) 544-5353

Rev. 01.25.18

ADA

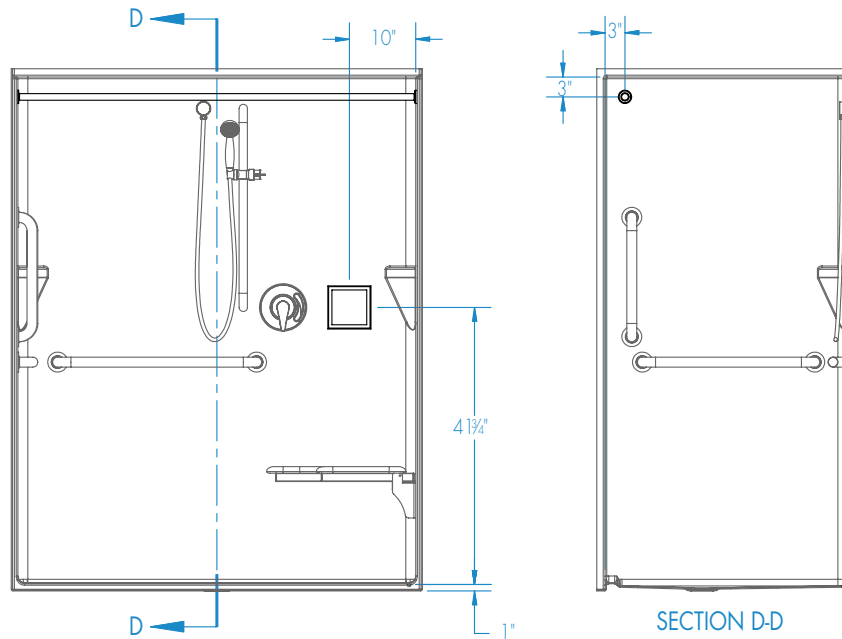


Submittal Sheet

Aquatic products may be specified as Lasco Bathware.

16037BFS ANSI Compliant with Seat
Please indicate changes needed.

Curtain Rod and Soap Dish Locations (Standard Configuration)



Shell tolerance: +0, - 3/8" All other tolerances: ±1"

FAX TO THE AQUATIC CENTRALIZED CUSTOMER SERVICE CENTER (866) 544-5353

Rev. 01.25.18



Submittal Sheet

Aquatic products may be specified as Lasco Bathroom.

1603BFSD

ANSI Compliant with Seat

CUSTOMER: _____
 JOB NAME: _____
 PO #: _____
 QUOTE #: _____ QUANTITY: _____
 SHIP TO: _____

PLUMBING CONTRACTOR APPROVAL _____ /_____/_____
 DATE
 GENERAL CONTRACTOR APPROVAL _____ /_____/_____
 DATE
 ENGINEER APPROVAL _____ /_____/_____
 DATE
 ARCHITECT APPROVAL _____ /_____/_____
 DATE

STANDARD FEATURES

- Code compliant when fully equipped and installed according to guidelines
- Pre-leveled base
- Barrier-free design
- Center drain location
- Slip resistant, textured bottom [ASTM F-462]

CONFIGURATION

- Fully equipped with seat — ANSI
- Seat location LH RH
- Includes one 24" x 1½" diameter grab bar located on the side wall; One 30" x 1½" diameter grab bar located on the back wall; One 18" x 1½" diameter vertical grab bar; white-cushioned, L-shaped fold-up seat; pressure balancing mixing valve and hand-held shower assembly (on back wall offset seat), per ANSI guidelines

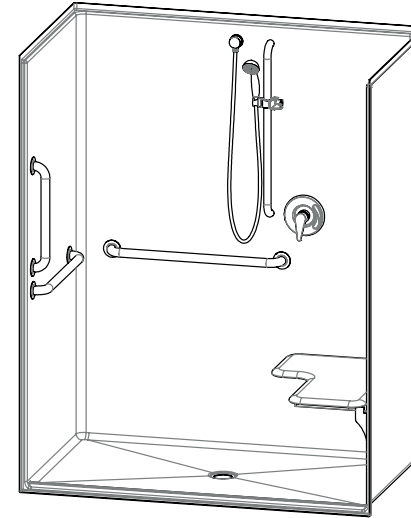
CUSTOM OPTIONS (not avail. if ANSI config. is selected)

- Fixture Wall LH RH Back Wall
- Grab bars:
 - One 24" (side wall) and one 30" (back wall)
 - Stainless steel (1½" dia.) LH RH
 - Powder-coated white (1¼" dia.) LH RH
- L-shaped fold-up seat LH RH
 - Cushioned white Phenolic teak Phenolic white
- Hand-held shower assembly with 30" slide bar and 60" hose
- Pressure balancing mixing valve

OPTIONAL ACCESSORIES (available for all models)

- Soap dish
- Curtain rod (Not ANSI compliant)
- Shower curtain
- Vinyl flexible dam
- Removable threshold
- Brass drain
- Colors:
 - Standard White
 - Upgraded Almond Biscuit Bone
 - Other (contact customer service for custom color options)
- Additional accessories:

For pricing of units and additional options, reference the Aquatic Price Book.



Int. Dim.	60 W x 34 D x 75 ¾ H
Ext. Dim.	62 W x 36 ¼ D x 77 ¼ H
Skirt Ht.	¾ skirt, ½ beveled threshold
Packaged Wt.	212 lbs. gross
Material	AcrylX™ applied acrylic
Warranty	AcrylX™ Finished Products — Lifetime Limited (30 year commercial)

inches

IMPORTANT: ADA compliant showers with NO interior threshold will have water escape onto the bathroom floor. Aquatic highly recommends you take the following precautions:

1. Install only the minimum number of ADA units without an interior threshold required for each job. If possible install Aquatic's accessible models that have a ½" interior threshold to reduce the amount of water that escapes from the shower.
2. When installing units with NO interior threshold, install a FLOOR DRAIN to control the water that escapes onto the bathroom floor.
3. Depending on your application, you may choose to install Aquatic's vinyl flexible dam or removable threshold, which helps better retain water within the shower. However, these items may not necessarily meet ADA or other code requirements. Always confirm code compliance with your local building authority.

To complete your order, this document must be signed and faxed to the Aquatic Centralized Customer Service Center.

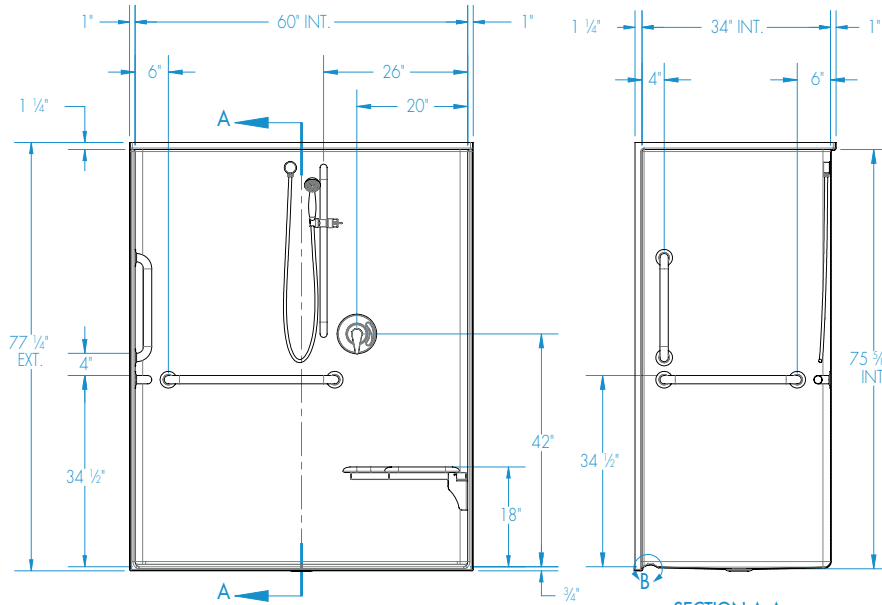
Fax (866) 544-5353 • Phone (800) 945-2726



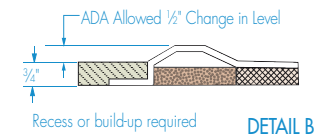
Submittal Sheet

Aquatic products may be specified as Lasco Bathware.

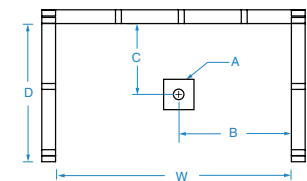
1603BFSD ANSI Compliant with Seat
Please indicate changes needed.



SECTION A-A



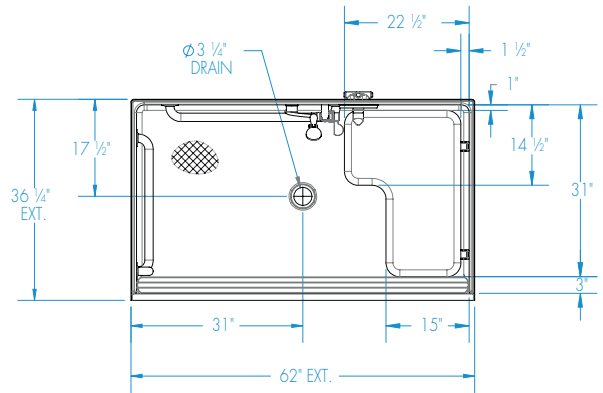
DETAIL B



FRAMING DIMENSIONS inches

Type	D Depth	W Width	A	B	C
Alcove	36 1/4	62 1/2	Box Out	31	17 1/2

- Installation Options:**
1. Install in a recessed pit for rough-in floor installation.
 2. Build sub-floor to level finished floor with top of shower threshold.



Shell tolerance: +0, - 3/8" All other tolerances: ±1"

ADA

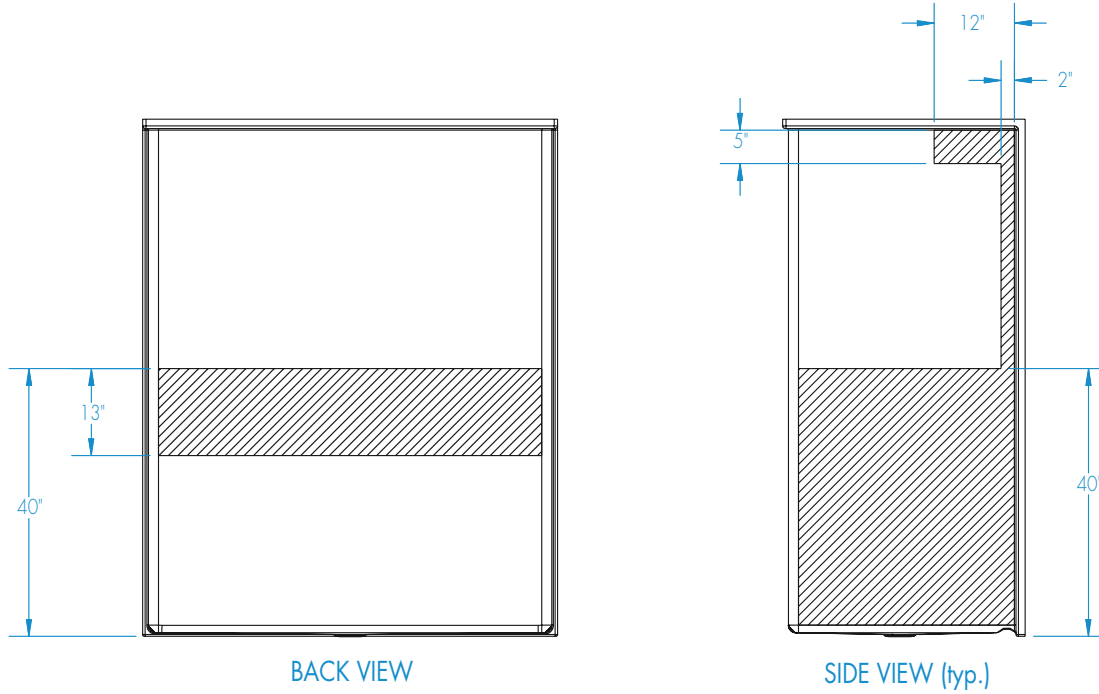


Submittal Sheet

Aquatic products may be specified as Lasco Bathware.

1603BFSD ANSI Compliant with Seat
Please indicate changes needed.

Reinforcement Locations (Standard)



 = GRAB BAR REINFORCEMENT

Shell tolerance: +0, - 3/8" All other tolerances: ±1"

FAX TO THE AQUATIC CENTRALIZED CUSTOMER SERVICE CENTER (866) 544-5353

Rev. 01.24.18

ADA

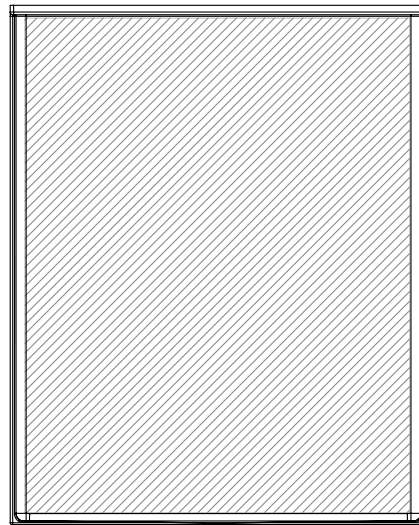


Submittal Sheet

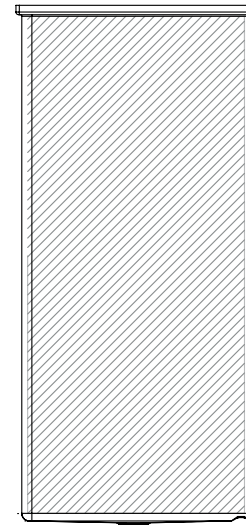
Aquatic products may be specified as Lasco Bathware.

1603BFSD ANSI Compliant with Seat
Please indicate changes needed.

Full Wall Reinforcement Option (Available per Wall)



BACK VIEW



SIDE VIEW (typ.)

 = GRAB BAR REINFORCEMENT

Shell tolerance: +0, - $\frac{3}{8}$ " All other tolerances: ± 1 "

FAX TO THE AQUATIC CENTRALIZED CUSTOMER SERVICE CENTER (866) 544-5353

Rev. 01.24.18

ADA

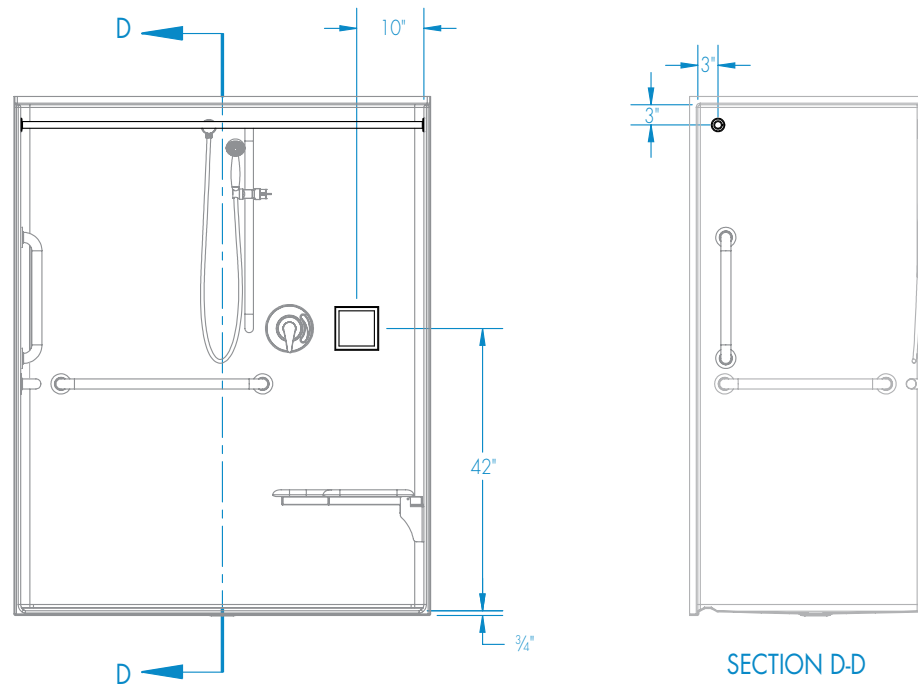


Submittal Sheet

Aquatic products may be specified as Lasco Bathware.

1603BFSD ANSI Compliant with Seat
Please indicate changes needed.

Curtain Rod and Soap Dish Locations (Standard Configuration)



Shell tolerance: +0, - $\frac{3}{8}$ " All other tolerances: ± 1 "

FAX TO THE AQUATIC CENTRALIZED CUSTOMER SERVICE CENTER (866) 544-5353

Rev. 01.24.18



Submittal Sheet

Aquatic products may be specified as Lasco Bathroom.

1363BFSD

ANSI Compliant

CUSTOMER: _____
 JOB NAME: _____
 PO #: _____
 QUOTE #: _____ QUANTITY: _____
 SHIP TO: _____

PLUMBING CONTRACTOR APPROVAL _____ /_____/_____
 DATE
 GENERAL CONTRACTOR APPROVAL _____ /_____/_____
 DATE
 ENGINEER APPROVAL _____ /_____/_____
 DATE
 ARCHITECT APPROVAL _____ /_____/_____
 DATE

IMPORTANT: ADA compliant showers with NO interior threshold will have water escape onto the bathroom floor. Aquatic highly recommends you take the following precautions:

1. Install only the minimum number of ADA units without an interior threshold required for each job. If possible install Aquatic's accessible models that have a ½" interior threshold to reduce the amount of water that escapes from the shower.
2. When installing units with NO interior threshold, install a FLOOR DRAIN to control the water that escapes onto the bathroom floor.
3. Depending on your application, you may choose to install Aquatic's vinyl flexible dam or removable threshold, which helps better retain water within the shower. However, these items may not necessarily meet ADA or other code requirements. Always confirm code compliance with your local building authority.

STANDARD FEATURES

- Code compliant when fully equipped and installed according to guidelines
- Barrier-free design
- Center drain location
- Slip resistant, textured bottom (ASTM F-462)

CONFIGURATION

- Fully equipped with seat-ANSI
 Seat location LH RH
 Includes 1¼" diameter stainless steel L-shaped grab bar; 1¼" dia. X 18" vertical grab bar; white-cushioned, L-shaped fold-up seat; pressure balancing mixing valve and hand-held shower assembly, (installed opposite side of seat) per ANSI guidelines

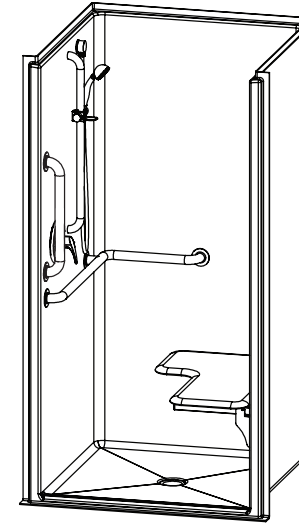
CUSTOM OPTIONS (not available if ANSI configuration is selected)

- Fixture Wall LH RH Back wall
- Horizontal L-shaped grab bar
 Stainless steel (1¼" dia.) LH RH
 Powder-coated white (1¼" dia.) LH RH
- Hand-held shower assembly with 30" slide bar and 60" hose
- Pressure balancing mixing valve

OPTIONAL ACCESSORIES (available for all models)

- Soap dish
- Curtain rod (Not ANSI compliant)
- Shower curtain
- Vinyl flexible dam
- Removable threshold
- Brass drain
- Colors:
 Standard White
 Upgraded Almond Biscuit Bone
 Other (contact customer service for custom color options)
- Additional accessories:

For pricing of units and additional options, reference the Aquatic Price Book.



Int. Dim. 36 W x 36 D x 75 ¼ H
 Ext. Dim. 42 ½ W x 38 ¼ D x 77 H
 Skirt Ht. ¾ skirt, ½ beveled threshold
 Packaged Wt. 182 lbs. gross
 Material AcrylX™ applied acrylic
 Warranty AcrylX™ Finished Products — Lifetime Limited (30 year commercial)

inches

To complete your order, this document must be signed and faxed to the Aquatic Centralized Customer Service Center.

Fax (866) 544-5353 • Phone (800) 945-2726

ADA

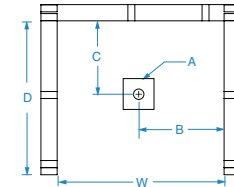
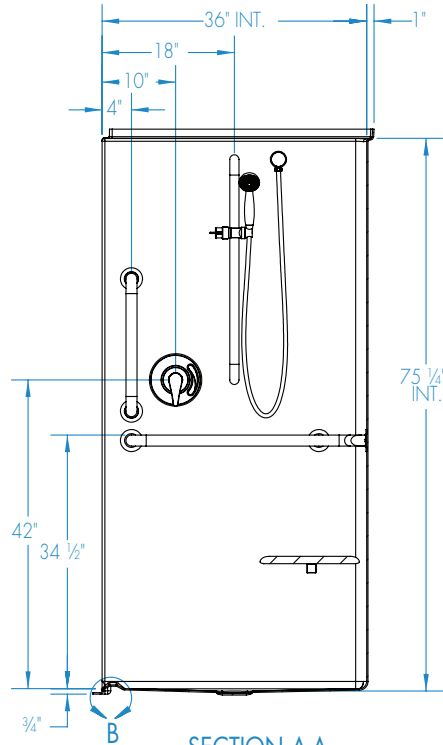
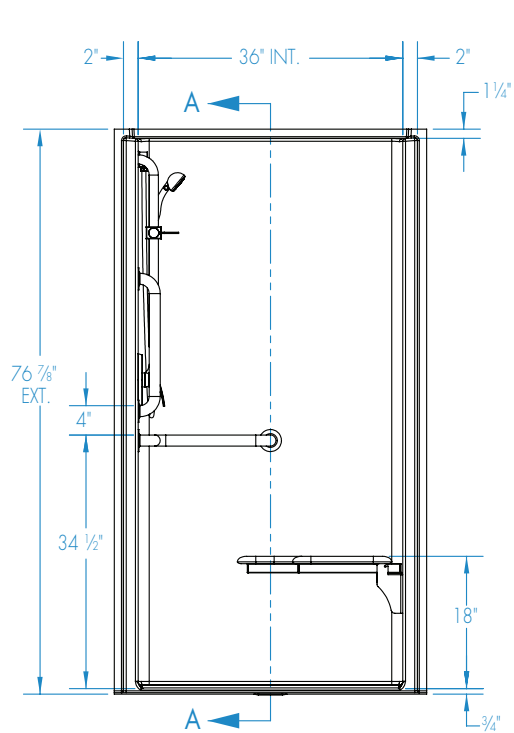


Submittal Sheet

Aquatic products may be specified as Lasco Bathware.

1363BFSD ANSI Compliant

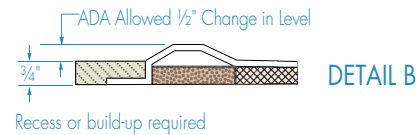
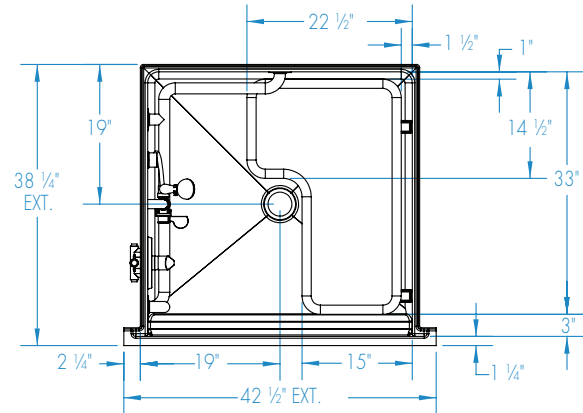
Please indicate changes needed.



FRAMING DIMENSIONS inches

Type	D Depth	W Width	A	B	C
Alcove	35 3/4	38 1/4	Box Out	19	19

- Installation Options:
 1. Install in a recessed pit for rough-in floor installation.
 2. Build sub-floor to level finished floor with top of shower threshold.



Shell tolerance: +0, -3/8" All other tolerances: ±1"

FAX TO THE AQUATIC CENTRALIZED CUSTOMER SERVICE CENTER (866) 544-5353

Rev. 09.23.20

ADA

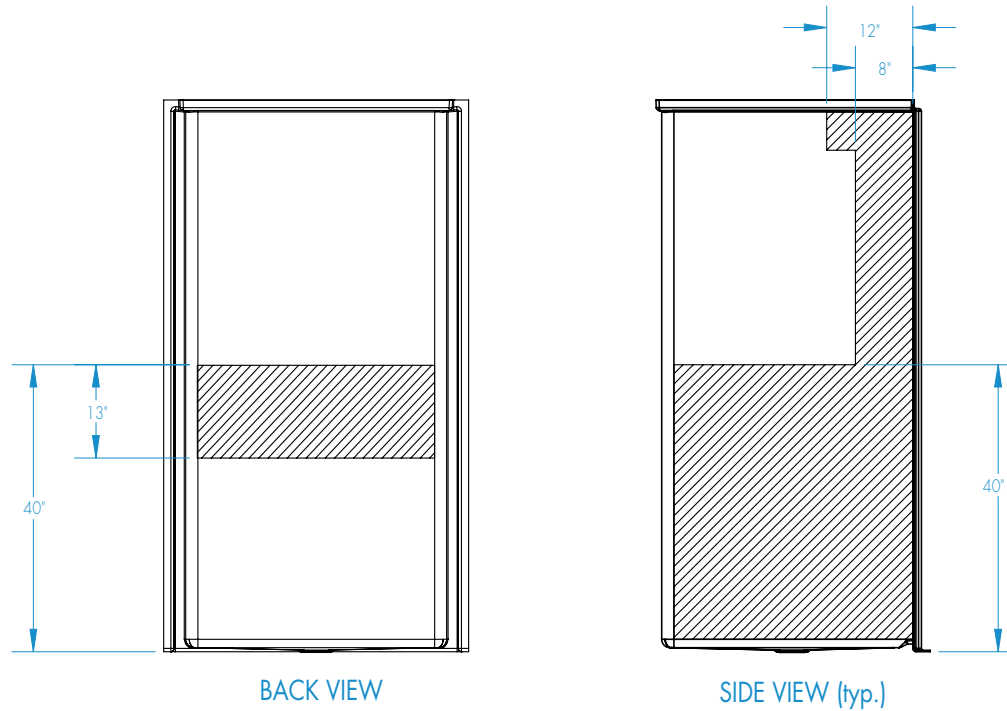


Submittal Sheet

Aquatic products may be specified as Lasco Bathware.

1363BFS ANSI Compliant
Please indicate changes needed.

Reinforcement Locations (Standard)



 = GRAB BAR REINFORCEMENT

Shell tolerance: +0, - $\frac{3}{8}$ " All other tolerances: ± 1 "

FAX TO THE AQUATIC CENTRALIZED CUSTOMER SERVICE CENTER (866) 544-5353

Rev. 09.23.20

ADA

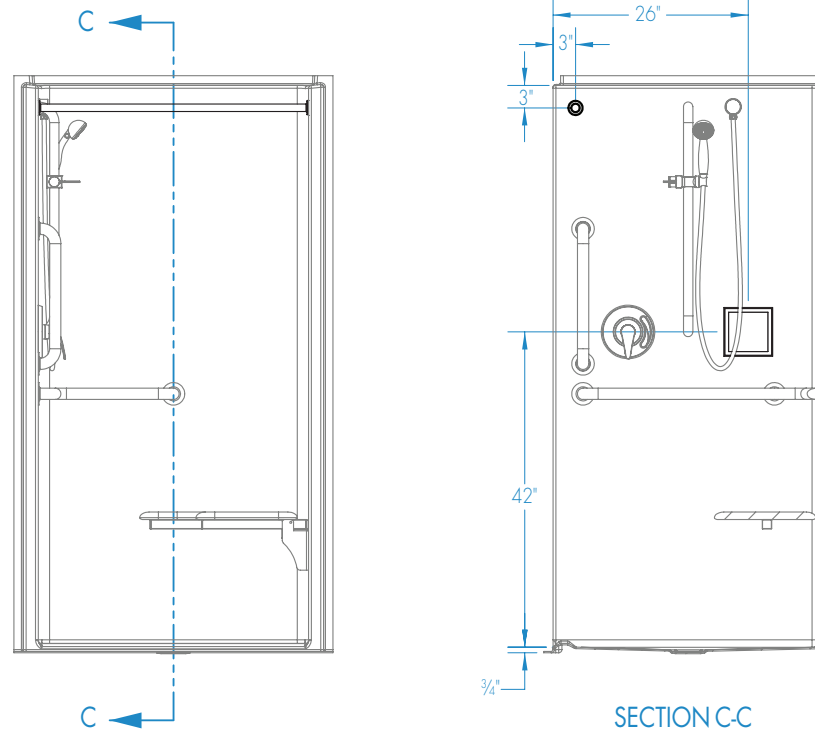


Submittal Sheet

Aquatic products may be specified as Lasco Bathware.

1363BFSD ANSI Compliant
Please indicate changes needed.

Curtain Rod and Soap Dish Locations (Standard Valve Configuration)



Shell tolerance: +0, - 3/8" All other tolerances: ±1"

FAX TO THE AQUATIC CENTRALIZED CUSTOMER SERVICE CENTER (866) 544-5353

Rev. 09.23.20

ADA

JB480DM

GE® Free-standing Electric Radiant Smooth Cooktop Range

DIMENSIONS AND INSTALLATION INFORMATION (IN INCHES)

RECEPTACLE LOCATIONS

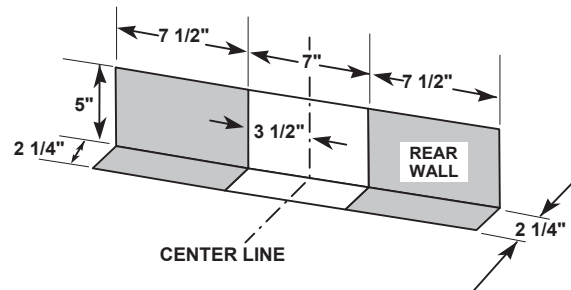
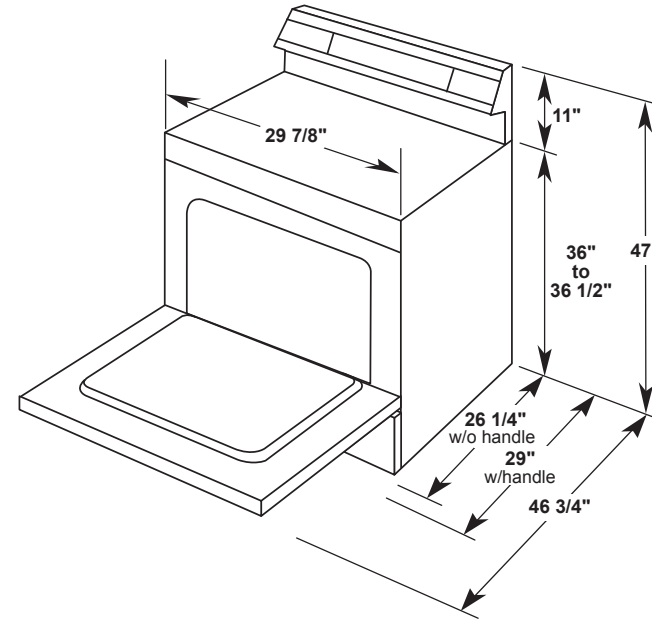
Locally approved flexible service cord or conduit must be used because terminals are not accessible after range installation. See shaded area in drawing for location of electrical outlet box. Recommended outlet locations allow range to be installed directly against wall.

NOTE: This appliance has been approved for 0" spacing to adjacent surfaces above the cooktop. However, a 6" minimum spacing to surfaces less than 15" above the cooktop and adjacent cabinet is recommended to reduce exposure to steam, grease splatter and heat.

INSTALLATION INFORMATION: Before installing, consult installation instructions for current dimensional data and additional requirements.

KW RATING	
240V	10.5
208V	7.9
BREAKER SIZE	
240V	40 Amps*
208V	40 Amps*

NOTE: Check local codes for required breaker size.



For answers to your Monogram, GE Café™ Series, GE Profile™ Series or GE Appliances product questions, visit our website at geappliances.com or call GE Answer Center® Service, 800.626.2000.



All GE Appliances ranges are equipped with an Anti-Tip device. The installation of this device is an important, required step in the installation of the range.

Specification Revised 9/18

ADA

JB480DM

GE® Free-standing Electric Radiant Smooth Cooktop Range

FEATURES AND BENEFITS

Front controls – Minimize need to reach

5.0 cu. ft. oven capacity – Cook more dishes at once

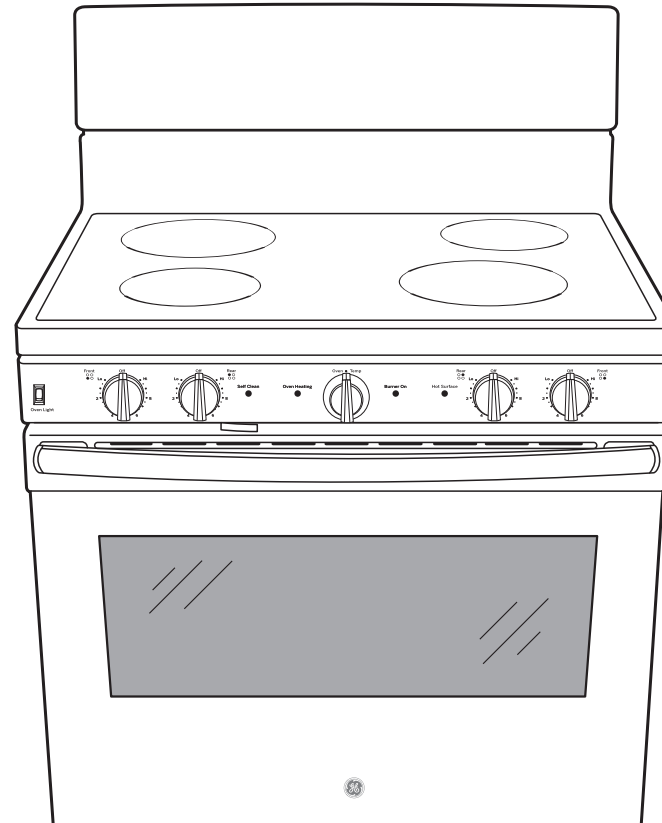
Self-clean oven – Cleans the oven cavity without the need for scrubbing

Dual-element Bake – Upper and lower elements produce even heat and great results

Removable full-width storage drawer – Store cookware or kitchen accessories

Model JB480DMBB – Black

Model JB480DMWW – White





Seller is unconditionally committed to customer service and satisfaction. Seller's commitment to helping its customers under the terms of manufacturers' warranties is a fundamental principle of our customer service philosophy. Filing the claim with the manufacturer and coordinating the remedies under the manufacturer's warranty is the role that Seller as the wholesale distributor assumes.

Extended warranties may be available on certain products for an additional charge from a third party surety company. Contact your sales associate for more details.

Warranty Disclaimer. Seller disclaims express or implied warranties including, without limitation, all warranties of merchantability or fitness for a particular purpose. Under no circumstance shall Seller be liable for any consequential or incidental damages. Buyer's sole and exclusive liability against Seller shall be limited to the product's sales price in all cases.

Nothing above is intended to limit Buyer's recovery directly from the manufacturer.