

Lucerne™ Wall-Hung Lavatory

- Wall-hung sink
- Vitreous china
- Front overflow
- D-shaped bowl
- Self-draining deck area with contoured back and side splash shields
- Faucet ledge
- Compliant with Texas Accessibility Standard (TAS) for children age group 13 and up

Faucet holes on 203 mm (8") centers:

- 0356.028** For exposed bracket support (by others)
- 0356.015** For wall hanger (included) or concealed arms support (by others)
- 0356.915** For wall hanger (included) or concealed arms support (by others) less overflow
- 0356.037** For wall hanger (included) or concealed arms support (by others) with extra 35 mm (1-3/8") hole for soap/lotion dispenser (by others) on right-hand side

Faucet holes on 102 mm (4") centers:

- 0355.027** For exposed bracket support (by others)
- 0355.012** For wall hanger (included) or concealed arms support (by others)
- 0355.912** For wall hanger (included) or concealed arms support (by others) less overflow
- 0355.056** For wall hanger (included) or concealed arms support (by others) with extra 35 mm (1-3/8") hole for soap/lotion dispenser (by others) on left-hand side
- 0355.034** For wall hanger (included) or concealed arms support (by others) with extra 35 mm (1-3/8") hole for soap/lotion dispenser (by others) on right-hand side
- 0355.041** With two holes spaced 343 mm (13-1/2") in back splash for 10 mm (3/8") bolts (by others)

Single center faucet hole:

- 0356.041** For exposed bracket support (by others)
- 0356.421** For wall hanger (included) or concealed arms support (by others)
- 0356.921** For wall hanger (included) or concealed arms support (by others) less overflow
- 0356.439** For wall hanger (included) or concealed arms support (by others) with single faucet hole on right
- 0356.066** For exposed bracket support (by others) with single faucet hole on right
- 0356.115** For wall hanger (included) or concealed arms support (by others) with extra 35 mm (1-3/8") hole for soap/lotion dispenser (by others) on left-hand side
- 0356.137** For wall hanger (included) or concealed arms support (by others) with extra 35 mm (1-3/8") hole for soap/lotion dispenser (by others) on right-hand side



0355.012



0356.041

SEE FOLLOWING PAGES FOR ROUGHING-IN DIMENSIONS

Compliance Certifications - Meets or Exceeds the Following Specifications:

- ASME A112.19.2 / CSA B45.1 for Vitreous China Fixtures

Nominal Dimensions:

540 x 464 mm
(21-1/4" x 18-1/4")

Bowl sizes:

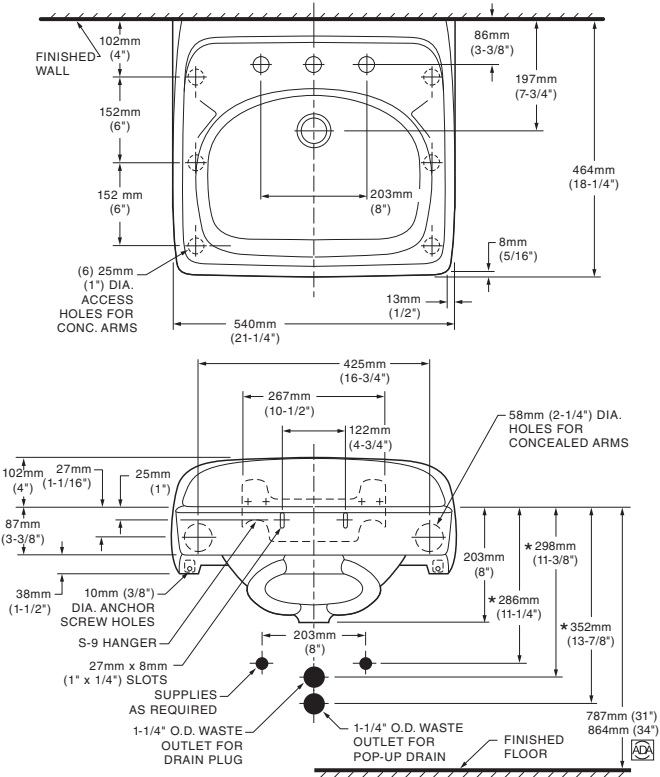
379 mm (14-7/8") wide
254 mm (10") front to back
165 mm (6-1/2") deep

To Be Specified:

- Color: White
- Faucet:
- Faucet Finish:
- Supplies:
- 1-1/4" Trap:
- Bracket Support (by others):
- Concealed Arms Support (by others):

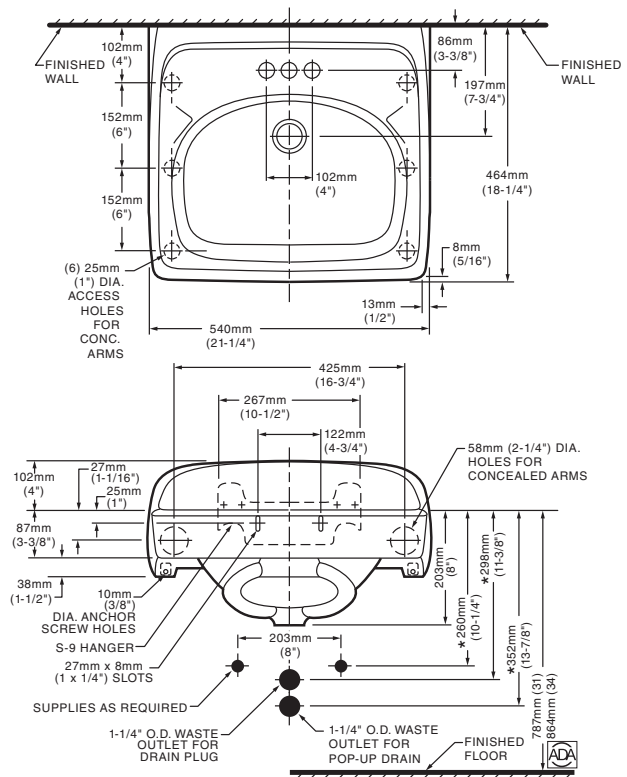
8" CENTER CONFIGURATIONS

All Wall Hanger (included) or Concealed Arm Configurations

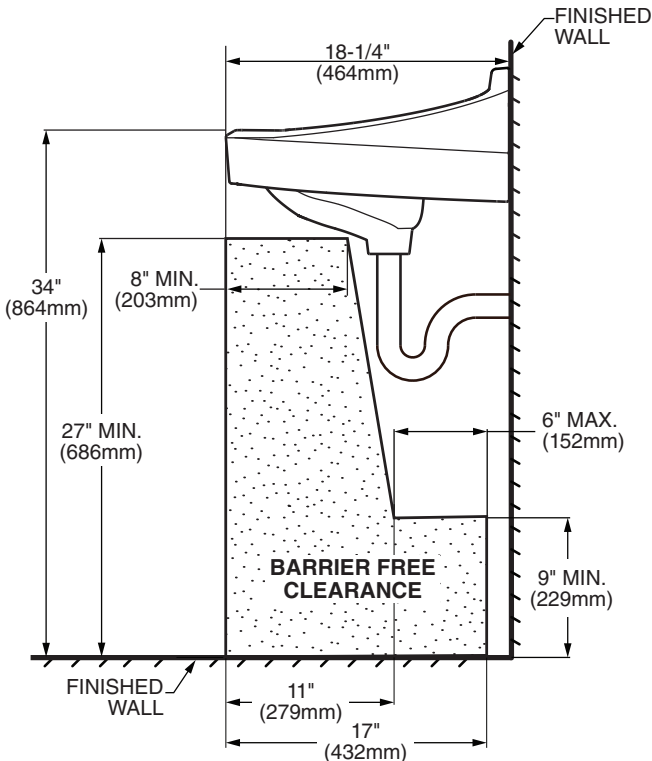


4" CENTER CONFIGURATIONS

All Wall Hanger (included) or Concealed Arm Configurations



SIDE VIEW - ALL CONFIGURATIONS



NOTES:

* DIMENSIONS SHOWN FOR LOCATION OF SUPPLIES AND "P" TRAP ARE SUGGESTED. PROVIDE SUITABLE REINFORCEMENT FOR ALL WALL SUPPORTS. FITTINGS NOT INCLUDED AND MUST BE ORDERED SEPARATELY. CONCEALED ARM SUPPORT AS REQUIRED TO BE FURNISHED BY OTHERS.

IMPORTANT: Dimensions of fixtures are nominal and may vary within the range of tolerances established by ANSI Standard A112.19.2. These measurements are subject to change or cancellation. No responsibility is assumed for use of superseded or voided pages.

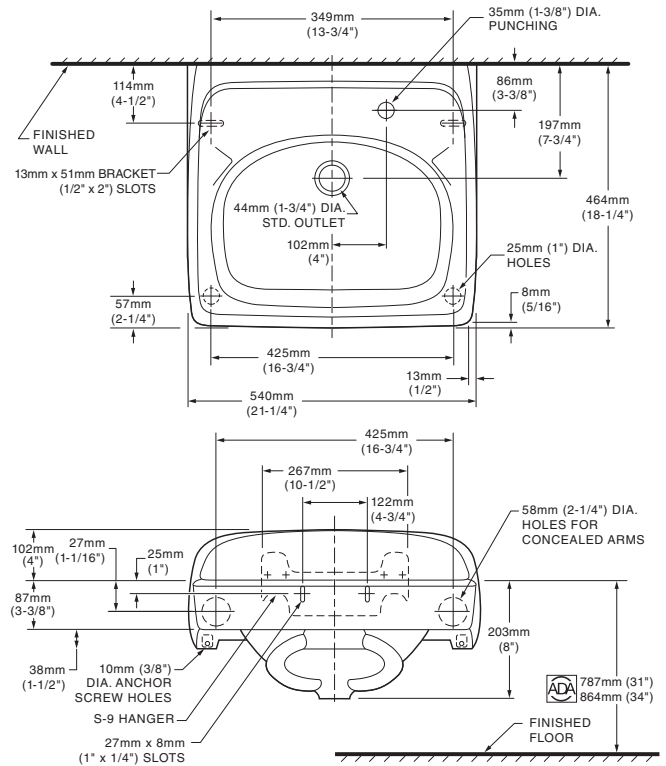
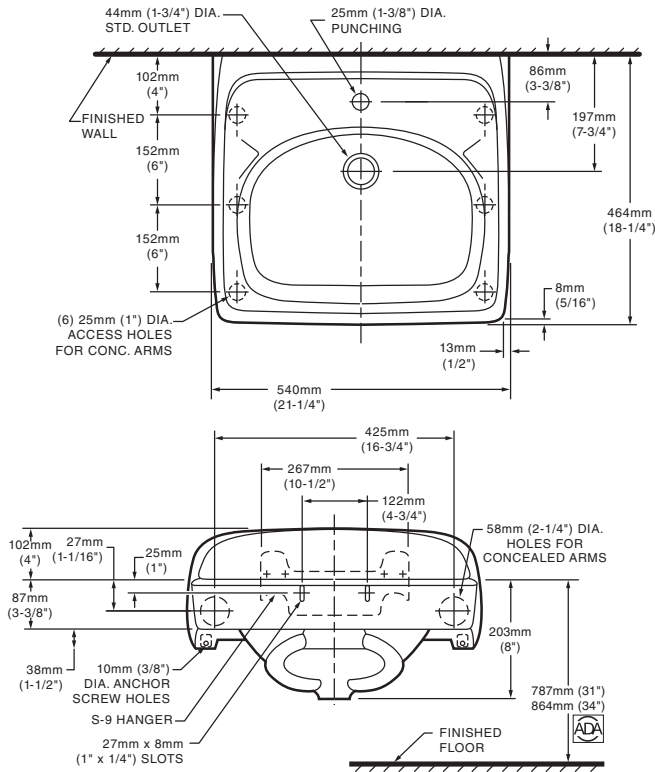


MEETS THE AMERICANS WITH DISABILITIES ACT GUIDELINES AND ANSI A117.1 ACCESSIBLE AND USABLE BUILDINGS AND FACILITIES - CHECK LOCAL CODES.

Top of front rim mounted 864mm (34") from finished floor.

SINGLE CENTER HOLE CONFIGURATIONS
All Wall Hanger (included) or Concealed Arm Configurations

SINGLE CENTER HOLE ON RIGHT CONFIGURATIONS
All Wall Hanger (included) or Concealed Arm Configurations



NOTES:

* DIMENSIONS SHOWN FOR LOCATION OF SUPPLIES AND "P" TRAP ARE SUGGESTED. PROVIDE SUITABLE REINFORCEMENT FOR ALL WALL SUPPORTS. FITTINGS NOT INCLUDED AND MUST BE ORDERED SEPARATELY. CONCEALED ARM SUPPORT AS REQUIRED TO BE FURNISHED BY OTHERS.

IMPORTANT: Dimensions of fixtures are nominal and may vary within the range of tolerances established by ANSI Standard A112.19.2. These measurements are subject to change or cancellation. No responsibility is assumed for use of superseded or voided pages.

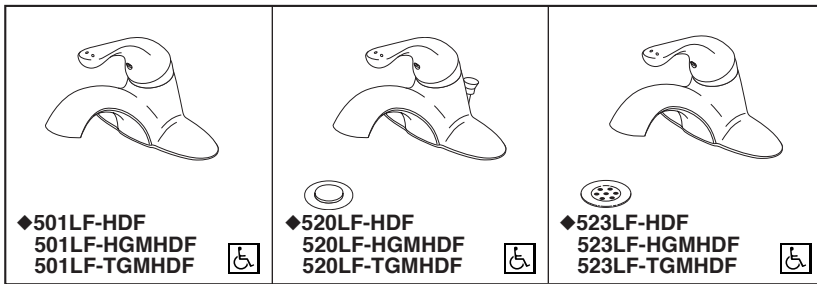


MEETS THE AMERICANS WITH DISABILITIES ACT GUIDE-
LINES AND ANSI A117.1 ACCESSIBLE AND USABLE
BUILDINGS AND FACILITIES - CHECK LOCAL CODES.

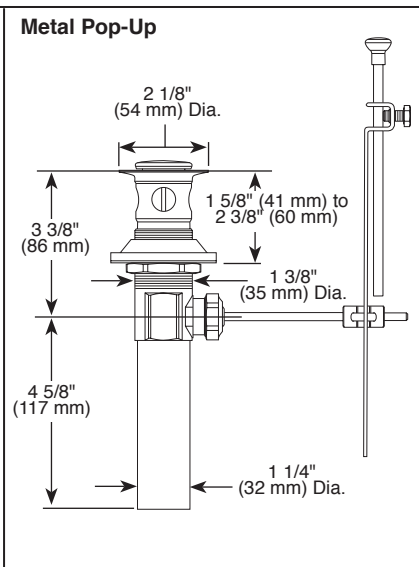
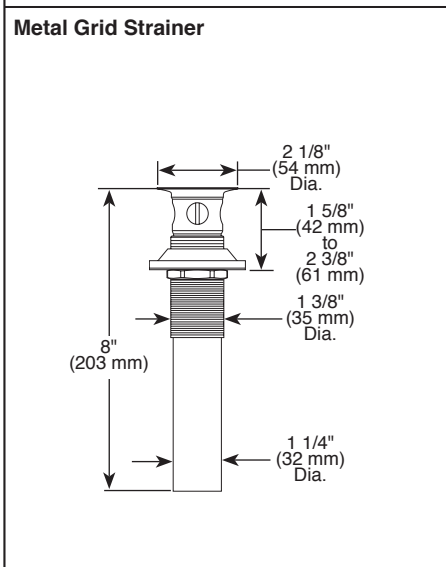
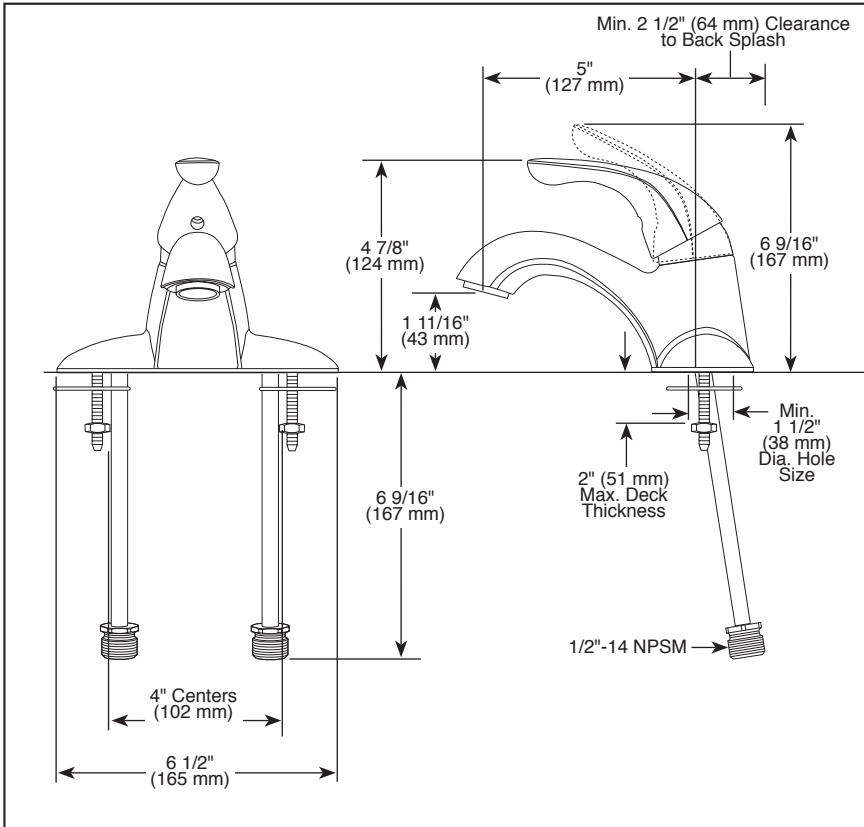
Top of front rim mounted 864mm (34") from finished floor.

DELTA COMMERCIAL LAVATORY FAUCETS

■ Single Handle



Submitted Model No.: **520LF-HDF**
 Specific Features:



STANDARD SPECIFICATIONS:

- Maximum 1.20 gpm @ 60 psi, 4.54 L/min @ 414 kPa
- HGM (models only) maximum 0.50 gpm @ 60 psi, 1.90 L/min @ 414 kPa
- TGM (models only) maximum 0.35 gpm @ 60 psi, 1.30 L/min @ 414 kPa
- Two and three hole mount
- Solid brass fabricated body
- Vandal resistant lever handle. Red/blue colored graphics indicate hot/cold temperature.
- Diamond coated ceramic cartridge
- Adjustable handle limit stop
- 3/8" O.D. copper supply tubes with 1/2"-14 NPSM adapters
- Models have 1/4" threaded mounting studs
- Available options for field conversion:
 - 6" (152 mm) long elbow handle-red/blue colored graphics indicate hot/cold temperature. Order RP54687.
- Vandal resistant aerator or spray outlet
- Metal grid strainer (523)
- Metal pop-up drain (520)
- Lift rod hole (520)

WARRANTY

- Lifetime limited warranty on parts (other than electronic parts and batteries) and finishes: or, for commercial users, for 5 years from date of purchase.
- 5 year limited warranty on electronic parts (other than batteries); or, for commercial users, for 1 year from the date of purchase. No warranty is provided on batteries.



COMPLIES WITH:

- ASME A112.18.1 / CSA B125.1
- ASME A112.18.2 / CSA B125.2
- Indicates compliance to ICC/ANSI A117.1
- EPA WaterSense® ◆=Only models as indicated
- Verified compliant with .25% weighted average Pb content regulations.

Delta reserves the right (1) to make changes in specifications and materials, and (2) to change or discontinue models, both without notice or obligation. Dimensions are for reference only. See current full-line price book or www.deltafaucet.com for finish options and product availability.

DSP-L-501LF-HDF Rev. H



55 E. 111th Street, Indianapolis, Indiana 46280
 350 South Edgeware Road, St. Thomas, ON N5P 4L1
 © 2016 Masco Corporation of Indiana

PFGD100

Lavatory Grid Drain



Product Features

- Heavy duty cast brass
- Chrome plated
- Open grid
- 17 Gauge 1-1/4" x 6" tailpiece

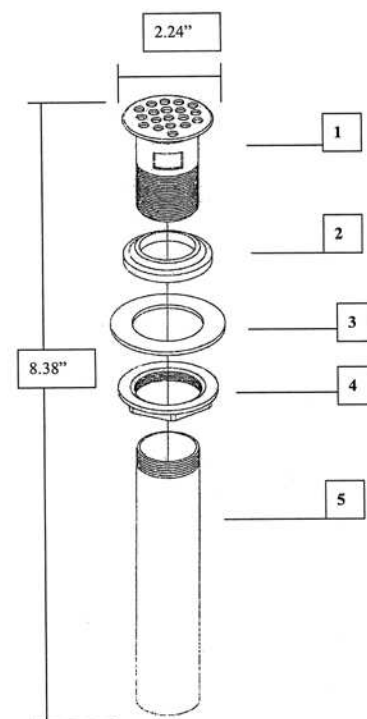


PFGD100

Parts

No.	Description	Material
1	Grid	Brass
2	Washer	Rubber
3	Washer	Paper
4	Nut	Brass
5	Tube	Brass

Product Specifications



* All measurements are nominal. Please verify before actual installation.

Warranty and Codes

This PROFLO product carries a 1-year limited warranty. This product meets ANSI: A112.18.2-2005/CSA B125.2-05.



PFFTP100 / PFFTP200 Series

Plastic SJ Tubular P Trap



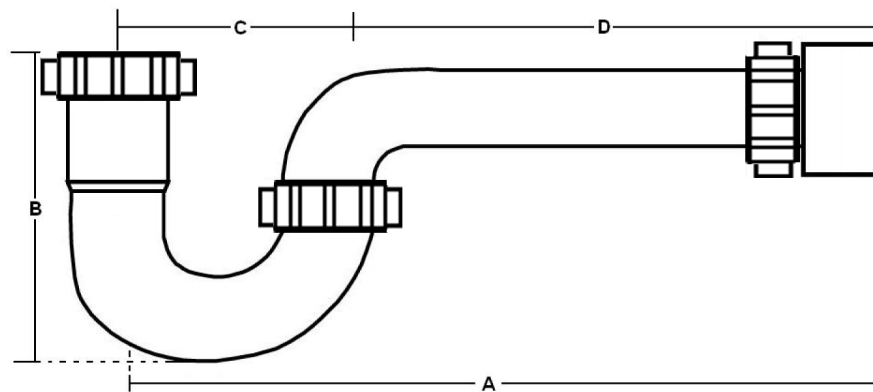
Product Features

- Material: Poly Propylene and PVC/ABS
- All Necessary Parts Included
- IAPMO Listed



PFFTP100

✓ For Submittal	Model Number	Description	Adapter		Dimisions								Color	Flange
					A		B		C		D			
			Style	Material	in	mm	in	mm	in	mm	in	mm		
✓	PFFTP100	1-1/4 X 1-1/2 Plastic SJ Tubular P Trap	Marvel	PVC	12 1/4	311.2	4 5/8	117.5	3 1/2	88.9	8 3/4	222.3	White	N/A
	PFFTP101	1-1/4 X 1-1/2 Plastic SJ Tubular P Trap	Marvel	ABS	12 1/4	311.2	4 5/8	117.5	3 1/2	88.9	8 3/4	222.3	Black	N/A
	PFFTP102	1-1/4 X 1-1/2 Plastic SJ Tubular P Trap	Marvel	ABS	12 1/4	311.2	4 5/8	117.5	3 1/2	88.9	8 3/4	222.3	WH/BLK	N/A
	PFFTP104	1-1/4 Plastic SJ Tubular P Trap	N/A	N/A	11 1/4	285.8	4 5/8	117.5	3 1/2	88.9	7 3/4	196.9	White	N/A
	PFFTP105	1-1/2 Plastic SJ Tubular P Trap	Solvent Weld	PVC	12 1/4	311.2	4 5/8	117.5	3 1/2	88.9	8 3/4	222.3	White	Deep Box
	PFFTP200	1-1/4 X 1-1/2 Plastic SJ Tubular P Trap	N/A	N/A	12 1/4	311.2	4 5/8	117.5	3 1/2	88.9	8 3/4	222.3	Chrome	Deep Box



Warranty and Codes

This PROFLO product carries a 1-year limited warranty.



Specifications

PFXQ Series

Lead-Free Quarter-Turn Supply Stops



Product Features

- Chrome plated stops
- Lead-free brass body
- Lead-free brass stem
- Lead-free brass ball mechanism
- Angle, straight and 3-way stops available
- Operating pressure: 125psi maximum
- Operating temperature: 40°F-160°F
- Quarter-turn operation
- Blowout-proof stem

Codes and Certifications

- cUPC approved
- ASME A112.18.1/CSA B125.1
- NSF/ANSI/CAN 61
- NSF 372- Low Lead

Model Numbers

Angle Stops

PFXQAT32C*	LF 1/2 FIP X 3/8 COMP ANG ST QT CP
PFXQAC32C*	LF 5/8 COMP X 3/8 COMP ANG ST QT CP
PFXQAP32C	LF 1/2 PEX X 3/8 COMP ANG ST QT CP
PFXQAS32C*	LF 1/2 SWT X 3/8 COMP ANG ST QT CP
PFXQAT22C	LF 3/8 FIP X 3/8 COMP ANG ST QT CP
PFXQAT32C	LF 1/2 FIP X 3/8 COMP ANG ST QT CP
PFXQAV32C	LF 1/2 CPVC X 3/8 COMP ANG ST QT CP
PFXQAC32CLK*	LF 5/8X3/8 OD COMP QT ANG ST L/K CP
PFXQAJ34C	LF 5/8 OD X 7/16 & 1/2 SJ ANG ST CP

Straight Stops

PFXQSC32C*	LF 5/8 X 3/8 COMP STRT ST QT CP
PFXQSC32C	LF 5/8 X 3/8 COMP STRT ST QT CP
PFXQSP32C	LF 1/2 F1807 PEX X 3/8OD QT STRT ST
PFXQSS32C*	LF 1/2 SWT X 3/8 COMP STRT ST QT CP
PFXQST22C	LF 3/8 FIP X 3/8 COMP STRT ST QT CP
PFXQST32C	LF 1/2 FIP X 3/8 COMP STRT ST QT CP
PFXQSV32C	LF 1/2 CPVC X 3/8 COMP STRT ST QT

3-Way Stops

PFXQ3C322C*	LF 3/8 COMP X 5/8 COMP 3W ST QT CP
--------------------	------------------------------------

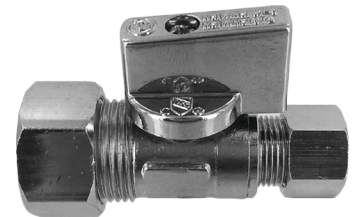
*For use copper tube only.



PFXQAT32C



PFXQAC32C



PFXQSC32C

Warranty and Codes

This PROFLO product carries a 1-year limited warranty. ASME A112.18.1-2005/CSA B125.1-05.



Specifications

PFX146

Stainless Steel and PVC Faucet Reinforced Flexible Connectors



Product Features

- Working Temperature: 40°F – 140°F
- Working Pressure: Up to 125 PSI maximum
- Internal Hose: Reinforced PVC
- Outer Wire Braid: 304 stainless steel (not applicable to PVC connectors PFX146022, PFX146023, PFX146024)
- Barb: Low lead brass alloy
- Metal Nuts: Nickel-plated brass alloy
- Ferrule: Nickel-plated brass alloy
- Washer: Santoprene rubber

Installation Instructions

- For use with water in accessible locations only
- Metal Nuts: Hand-tighten plus 1/4 turn with wrench
- Do not overtighten nuts
- Check for leaks before leaving jobsite
- Inspect regularly for general fitness and replace if damaged, corroded or worn
- Do not expose to corrosive chemicals

Models and Product Certifications

Model #	Description	cUPC	UPC	Low Lead
PFX146022	3/8" COMP X 1/2" FIP X 12" PVC Faucet	✓	✓	✓
PFX146023	3/8" COMP X 1/2" FIP X 16" PVC Faucet	✓	✓	✓
PFX146024	3/8" COMP X 1/2" FIP X 20" PVC Faucet	✓	✓	✓
PFX146302	1/2" FIP X 1/2" FIP X 12" SS Faucet	✓	✓	✓
PFX146303	1/2" FIP X 1/2" FIP X 16" SS Faucet	✓	✓	✓
PFX146304	1/2" FIP X 1/2" FIP X 20" SS Faucet	✓	✓	✓
PFX146306	1/2" FIP X 1/2" FIP X 30" SS Faucet	✓	✓	✓
PFX146322	3/8" COMP X 1/2" FIP X 12" SS Faucet	✓	✓	✓
PFX146323	3/8" COMP X 1/2" FIP X 16" SS Faucet	✓	✓	✓
PFX146324	3/8" COMP X 1/2" FIP X 20" SS Faucet	✓	✓	✓
PFX146326	3/8" COMP X 1/2" FIP X 30" SS Faucet	✓	✓	✓



PFX146322



PFX146430



PFX146302



PFX146024

Model #	Description	cUPC	UPC	Low Lead
PFX146330	3/8" COMP X 1/2" FIP X 48" SS Faucet	✓	✓	✓
PFX146332	3/8" COMP X 1/2" FIP X 60" SS Faucet	✓	✓	✓
PFX146334	3/8" COMP X 1/2" FIP X 72" SS Faucet	✓	✓	✓
PFX146342	3/8" COMP X 3/8" COMP X 12" SS Faucet	✓	✓	✓
PFX146343	3/8" COMP X 3/8" COMP X 16" SS Faucet	✓	✓	✓
PFX146344	3/8" COMP X 3/8" COMP X 20" SS Faucet	✓	✓	✓
PFX146423	1/2" COMP X 1/2" FIP X 16" SS Faucet	✓	✓	✓
PFX146424	1/2" COMP X 1/2" FIP X 20" SS Faucet	✓	✓	✓
PFX146430	3/8" COMP X 3/8" OD COUP X 12" SS Faucet	✓	✓	✓
PFX146432	3/8" COMP X 3/8" OD COUP X 20" SS Faucet	✓	✓	✓

Warranty and Codes

This PROFLO product carries a 1-year limited warranty.
IAPMO listed to ASME A112.18.6-2017/CSA B125.6-17.
IAPMO listed to NSF/ANSI 61-2018.



Escutcheons

Standard Type



Product Features

- Fits iron pipe and copper tube
- Chrome plated steel and polished brass



PFE1

Model Numbers

✓ For Submittal	Part Number	Description	Material	Thickness	IPS	CWT/CTS	OUTSIDE DIAMETER	Finish
	PFE1	3/8" IPS CP ESCUTCHEON	Steel	30 GA	3/8"		2 1/2"	Chrome Plated
	PFE2	1/2" IPS CP ESCUTCHEON	Steel	30 GA	1/2"		2 1/2"	Chrome Plated
	PFE2PB	1/2" IPS PB ESCUTCHEON	Steel	30 GA	1/2"		2 1/2"	Polished Brass
✓	PFE7	5/8" OD CP ESCUTCHEON	Steel	30 GA		5/8" OD (1/2" CTS)	2 1/2"	Chrome Plated
	PFE7PB	5/8" OD PB ESCUTCHEON	Steel	30 GA		5/8" OD (1/2" CTS)	2 1/2"	Polished Brass
	PFE8	3/4" IPS CP ESCUTCHEON	Steel	30 GA	3/4"		2 1/2"	Chrome Plated
	PFE9	7/8" OD CP ESCUTCHEON	Steel	30 GA		7/8" OD (3/4" CTS)	2 1/2"	Chrome Plated
	PFE9A	1" IPS CP ESCUTCHEON	Steel	30 GA	1"		2 3/4"	Chrome Plated
	PFE10	1 1/4" IPS CP ESCUTCHEON	Steel	30 GA	1-1/4"		3"	Chrome Plated
	PFE11	1-1/2" IPS CP ESCUTCHEON	Steel	30 GA	1-1/2"		3"	Chrome Plated
	PFE11PB	1-1/2" POL BRS IPS SHAL ESC	Steel	30 GA	1-1/2"		3"	Polished Brass
	PFE16A	2" IPS CP ESCUTCHEON	Steel	30 GA	2"		3 1/2"	Chrome Plated

Warranty and Codes

The PROFLO product carries a 1-year limited warranty.



Model ZW3870XLT

Aqua-Gard® Thermostatic Mixing Valve

Application

Ideal for use where Lead Free* valves are required. The Zurn Wilkins Model ZW3870XLT Aqua-Gard® Thermostatic mixing valve is designed to be installed at the point of use under sinks and sensor faucets to assist in the prevention of scalding. The valves rapid response and precise temperature control meet the stringent standards of ASSE 1070 listed for fixtures, sinks, lavatories or bathtubs. The ZW3870XLT will mix hot and cold water from the distribution system to a final safer temperature outlet range of 95-115F (35-46C). The 3/8" compression fittings make this valve ideal for residential and commercial applications. With a minimum flow rating of 0.06 GPM the valve will provide proper scald protection when used in conjunction with ultra low flow faucet aerators.

Standards Compliance

- ASSE® Listed 1070
- cUPC® Listed
- CSA® Certified B125.70
- Meets the requirements of NSF/ANSI/CAN 61-9 Qs1* (0.25% MAX. WEIGHTED AVERAGE LEAD CONTENT)

Features

Sizes: 3/8"
 Chrome Plated
 Outlet Temp. Range 95-115°F(35-46°C)
 Temperature Hot Supply 120-195°F max. (49-90.5°C)
 Temperature Cold Supply 40-75°F(4.4-23.8°C)
 Set Temperature Accuracy +/- 3°F(1.78°C)
 Max. Working Pressure (inlet) 145 psi
 Temperature must be field set
 Max. Pressure Differential is 15 psi between Hot & Cold inlets
 Flow rate @ 45 psi pressure loss 3.10 gpm
 Min. Flow Rate 0.06 gpm
 Integral check valves and strainer screen on hot and cold supply



XL LEAD FREE



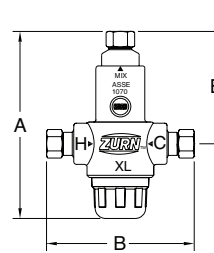
NSF/ANSI/CAN 61-9 Qs1



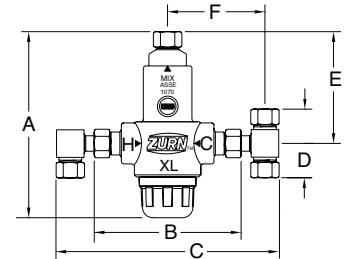
Materials

Body Low Lead Cast Bronze ASTM B 584 w/Chrome Plating
 Internal brass ASTM B 456 Service Condition #2
 Low Lead Brass, ASTM B 927 UNS C27450
 Piston Polysufone
 Guide Tube Noryl GFN2
 Spring 300 Series Stainless Steel
 Seals Viton
 Checks Acetal Co-Polymer

- ✓ ZW3870XLT 3 PORT (1 Hot in, 1 Cold in, 1 Mixed out)
- ZW3870XLT-4P 4 PORT (1 Hot in, 1 Cold in, 1 Cold out, 1 Mixed out.)



ZW3870XLT

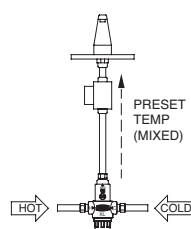
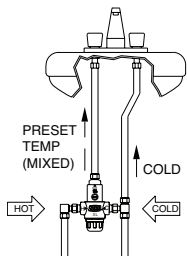
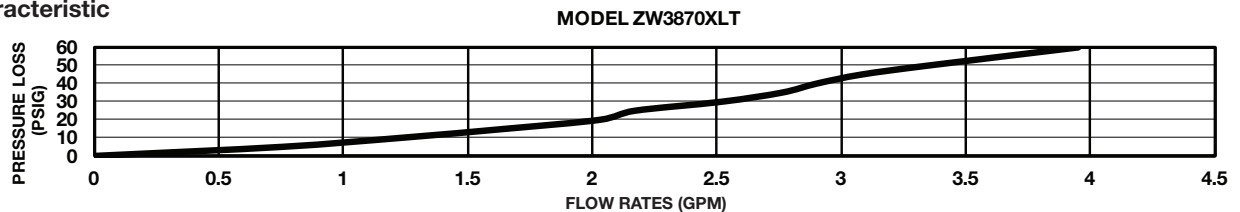


ZW3870XLT-4P

Dimensions & Weights (do not include pkg.)

MODEL	SIZE		DIMENSIONS (approximate)												WEIGHT	
			A		B		C		D		E		F			
	in.	mm	in.	mm	in.	mm	in.	mm	in.	mm	in.	mm	in.	mm	lbs.	kg.
ZW3870XLT	3/8	9.5	4 27/32	123	4 3/16	106.3	5 55/64	149	2 1/32	52	2 27/32	72.2	2 1/2	64	1.2	.6

Flow Characteristic



Piping Instructions

The device is designed to be installed at a single outlet. It may be used to supply individual outlets when there is sufficient supply pressure. It is suggested to use ball valves on the hot and cold inlet supplies.

Specifications

PFX146

Stainless Steel and PVC Faucet Reinforced Flexible Connectors



Product Features

- Working Temperature: 40°F – 140°F
- Working Pressure: Up to 125 PSI maximum
- Internal Hose: Reinforced PVC
- Outer Wire Braid: 304 stainless steel (not applicable to PVC connectors PFX146022, PFX146023, PFX146024)
- Barb: Low lead brass alloy
- Metal Nuts: Nickel-plated brass alloy
- Ferrule: Nickel-plated brass alloy
- Washer: Santoprene rubber

Installation Instructions

- For use with water in accessible locations only
- Metal Nuts: Hand-tighten plus 1/4 turn with wrench
- Do not overtighten nuts
- Check for leaks before leaving jobsite
- Inspect regularly for general fitness and replace if damaged, corroded or worn
- Do not expose to corrosive chemicals

Models and Product Certifications

Model #	Description	cUPC	UPC	Low Lead
PFX146022	3/8" COMP X 1/2" FIP X 12" PVC Faucet	✓	✓	✓
PFX146023	3/8" COMP X 1/2" FIP X 16" PVC Faucet	✓	✓	✓
PFX146024	3/8" COMP X 1/2" FIP X 20" PVC Faucet	✓	✓	✓
PFX146302	1/2" FIP X 1/2" FIP X 12" SS Faucet	✓	✓	✓
PFX146303	1/2" FIP X 1/2" FIP X 16" SS Faucet	✓	✓	✓
PFX146304	1/2" FIP X 1/2" FIP X 20" SS Faucet	✓	✓	✓
PFX146306	1/2" FIP X 1/2" FIP X 30" SS Faucet	✓	✓	✓
PFX146322	3/8" COMP X 1/2" FIP X 12" SS Faucet	✓	✓	✓
PFX146323	3/8" COMP X 1/2" FIP X 16" SS Faucet	✓	✓	✓
PFX146324	3/8" COMP X 1/2" FIP X 20" SS Faucet	✓	✓	✓
PFX146326	3/8" COMP X 1/2" FIP X 30" SS Faucet	✓	✓	✓



PFX146322



PFX146430



PFX146302



PFX146024

Model #	Description	cUPC	UPC	Low Lead
PFX146330	3/8" COMP X 1/2" FIP X 48" SS Faucet	✓	✓	✓
PFX146332	3/8" COMP X 1/2" FIP X 60" SS Faucet	✓	✓	✓
PFX146334	3/8" COMP X 1/2" FIP X 72" SS Faucet	✓	✓	✓
PFX146342	3/8" COMP X 3/8" COMP X 12" SS Faucet	✓	✓	✓
PFX146343	3/8" COMP X 3/8" COMP X 16" SS Faucet	✓	✓	✓
PFX146344	3/8" COMP X 3/8" COMP X 20" SS Faucet	✓	✓	✓
PFX146423	1/2" COMP X 1/2" FIP X 16" SS Faucet	✓	✓	✓
PFX146424	1/2" COMP X 1/2" FIP X 20" SS Faucet	✓	✓	✓
PFX146430	3/8" COMP X 3/8" OD COUP X 12" SS Faucet	✓	✓	✓
PFX146432	3/8" COMP X 3/8" OD COUP X 20" SS Faucet	✓	✓	✓

Warranty and Codes

This PROFLO product carries a 1-year limited warranty.
IAPMO listed to ASME A112.18.6-2017/CSA B125.6-17.
IAPMO listed to NSF/ANSI 61-2018.



PF200 Series

Trap Covers



Product Features

- ADA & UFAS Compliant
- No tools required contractor friendly Tear-To-Fit feature makes trimming fast
- Universal design fits virtually all lavatory applications
- Smooth, flush SnapClip™ fasteners firmly secure piping covers in place and are nonabrasive and reusable
- Antimicrobial vinyl maintain sanitary conditions
- Lock Lid™ on valve stops tampering and allows service
- Cleanout nut cap allows service on trap without disassembly
- Internal ribs enhance K valve and soften impact cushioning
- Fire retardant

Model Numbers

PF200WH PF202WH PF205WH PFEXT200WH
 PF201WH PF203WH PF299WH

Material	Soft, resilient molded vinyl
Nominal Wall	1/8" constant with internal ribs
Durometer	70-80 – Shore A
UV Protection	Will not fade or discolor
Durability	Virtually indestructible
Trimming	E-Z Tear-To-Fit trim feature (no tools needed)
Fasteners	Internal E-Z Grip fasteners, reusable
Color	China white
Compatibility	Fits all 1-1/4" or 1-1/2" cast brass or tubular P-trap assemblies and 3/8" or 1/2" angle stop assemblies
Paintability	Apply latex paint
Burning Characteristics ASTM D-635	Self extinguished 0 sec (ATB) mm (AEB)
Bacterial/Fungus Resistance	ASTM G21 and G22 – Result: 0 growth
Maintenance	Wipe clean using common detergents

New E-Z Tear-To-Fit feature and E-Z Grip built-in fasteners make installation fast and easy!

1. Tear-To-Fit on internal, dimensioned tear lines for quick, clean, accurate trimming to fit virtually any piping configuration. Covers flex to install over pipes.
2. Press seams together at finger recesses to engage E-Z Grip internal fasteners for a secure, safe, tamper-resistant installation. To remove cover, firmly pull seam apart using a strong grip. To reinstall, press seams back together.

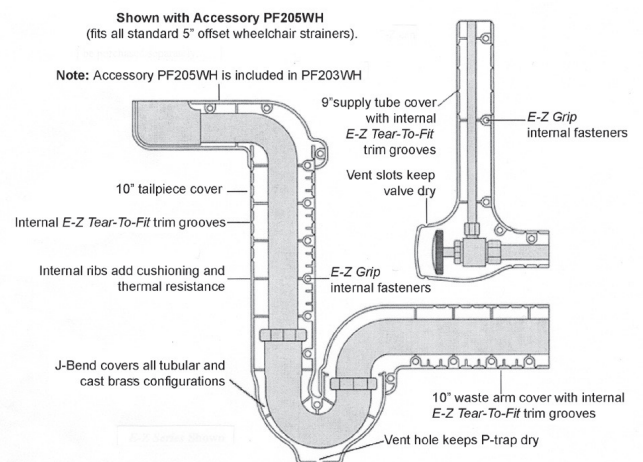
Warranty and Codes

This PROFLO product carries a 1-year limited warranty. This product meets ADA article 4.19.4; CABO/ANSI 4.20.4; UFAS 4.19.4; California Title 24; UPC/IAPMO ICC; Canada Barrier-Free Code. Made in USA.



Product Specifications

PF201WH

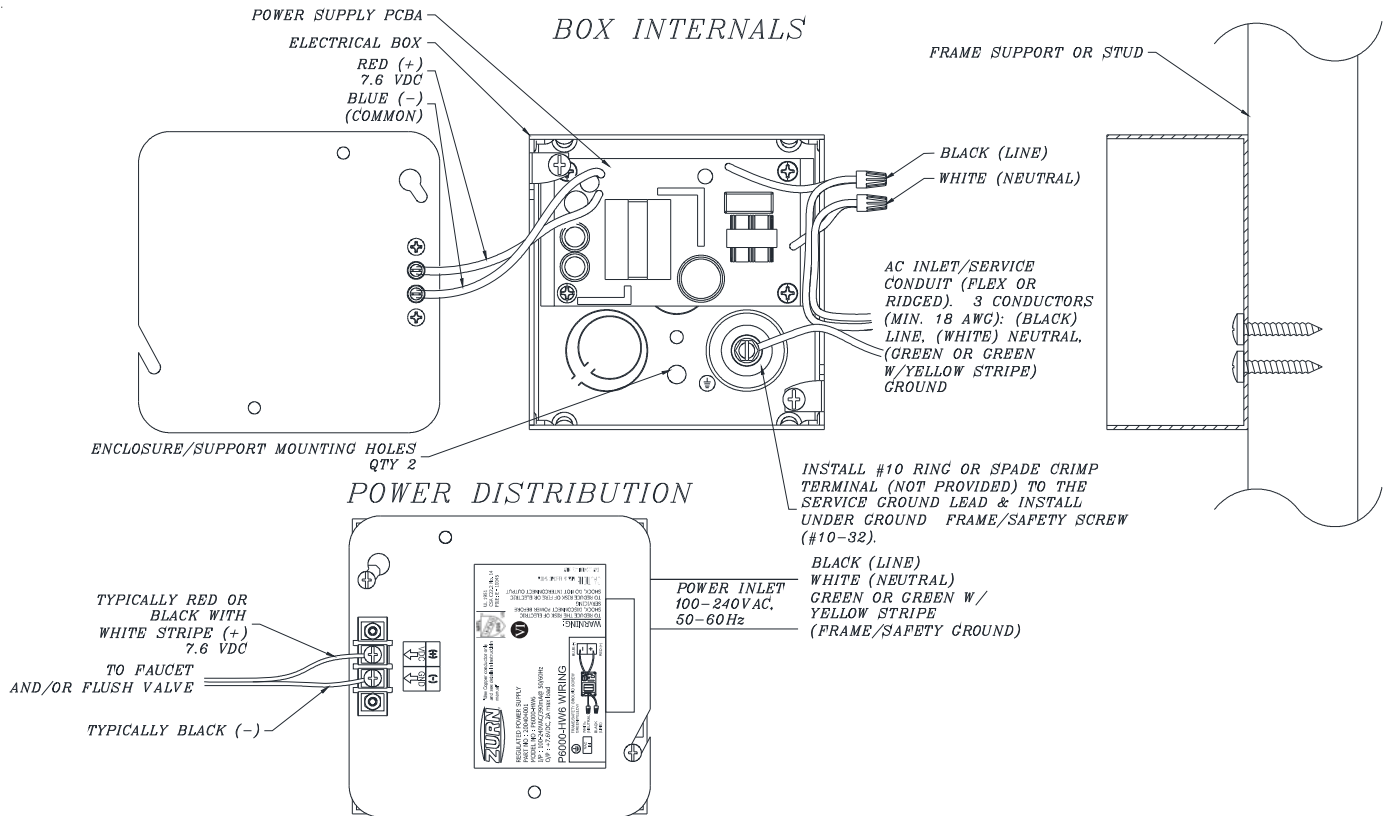


PF200WH	one P-trap cover
PF201WH	one P-trap cover, one angle valve and supply cover
PF202WH	one P-trap cover, two angle valves and supply covers
PF203WH	one P-trap cover, two angle valves and supply covers, one 5" offset tailpiece wheelchair strainer cover
PF299WH	one angle valve and supply cover
ACCESSORIES	
PF205WH	one 5" offset tailpiece wheelchair strainer assembly
EXTENSIONS	
PFEXT200WH	one 16" extension for drain waste or tailpiece



P6000-HW6

7.6 VDC Hardwired Power Converter for Flush Valves and Faucets



ENGINEERING SPECIFICATION: ZURN P6000-HW6 Power Converter - The Hardwired Power Converter is a 7.6 VDC regulated, 2.0A power supply that will operate up to: (8) ZEMS or ZEMS-IS Sensors/Actuators, (8) ZESS Sensors/Solenoids, (8) sensor faucets, or (8) Pint Urinal valves. The unit shown above is integrated into a 4"L x 4"W x 2-1/8"D electrical box. The AC input connections are terminated within the electrical box. The 7.6 VDC output terminals are externally mounted to the cover plate.

Notes:

1. Mounting hardware (AC inlet conduit/cable clamp and enclosure-frame mounting screws) are NOT provided.

Typical Rough-In: The 3 input conductors (line, neutral and frame ground) are routed within conduit to the P6000-HW6 and the AC inlet and the frame/safety ground leads are terminated within the assembly. The low voltage, 7.6 DC, output connections are terminated externally and depending upon the installation area, appropriate cable/conductor insulation must be selected to meet local codes (conduit not required for the low voltage output conductor paths).

Architectural/Engineering Approval

The information contained in this document is subject to change without notice.
Please contact Zurn for most up to date information.

ZURN INDUSTRIES, LLC. ♦ COMMERCIAL BRASS OPERATION ♦ 5900 ELWIN BUCHANAN DRIVE ♦ SANFORD NC 27330

Phone: 1-800-997-3876 ♦ Fax: 919-775-3541 ♦ World Wide Web: www.zurn.com

In Canada: ZURN INDUSTRIES LIMITED ♦ 7900 Goreway Drive Unit 10 ♦ Brampton, Ontario L6T5W6 ♦ Phone: 905-405-8272 Fax: 905-405-1292

Spec Section:

Submittal Name

SH-1 SHOWER

Part	Vendor
S620701150 - COMBO CODE - INCLUDES THE FOLLOWING 3 PRODUCTS:	STERLING
DT13H15220 - CCY 1HDL LEV P/BAL SHWR VLV TRIM	DELTA
DR10000UNWS - 1 HANDLE PRESSURE BALANCE UNIVERSAL VALVE ONLY WITH STOPS	DELTA
PF140NC - 2" BRASS SELF-CAULKING DRAIN	PROFLO



OC-S-63

63-1/4" x 39-3/8" Vikrell® roll-in shower with right seat and grab bars, center drain
62070115



Features

- 1/2" (12.7 mm) threshold
- Durable swirl-gloss finish
- Three-piece tongue-and-groove walls with snap-together installation
- Fold-down seat with stainless steel supports on right, grab bars at left and back

Material

- Made from solid Vikrell® material for strength, durability, and lasting beauty

Installation

- Alcove
- Center drain
- Caulk required for proper installation

Recommended Products/Accessories

- K-23726 Drain treatment
- K-23733 Vikrell® cleaner

Included Components

- 62055115 39-3/8" Vikrell® seated shower end wall set with right seat, left grab bar
- 62061100 63-1/2" x 39-3/8" Vikrell® roll-in shower base, center drain, center drain
- 62062103 63-1/4" Vikrell® shower back wall with grab bar



ADA

Codes/Standards

- CSA B45.5/IAPMO Z124
- ASTM E162
- ASTM E662
- ADA
- HUD, UM Bulletin 73

STERLING® Vikrell® or Acrylic Baths and Shower Bases Ten-Year Limited Warranty
STERLING® Grab Bars Ten-Year Limited Warranty

See website for detailed warranty information.

Available Colors/Finishes

Color tiles intended for reference only.

Color Code Description

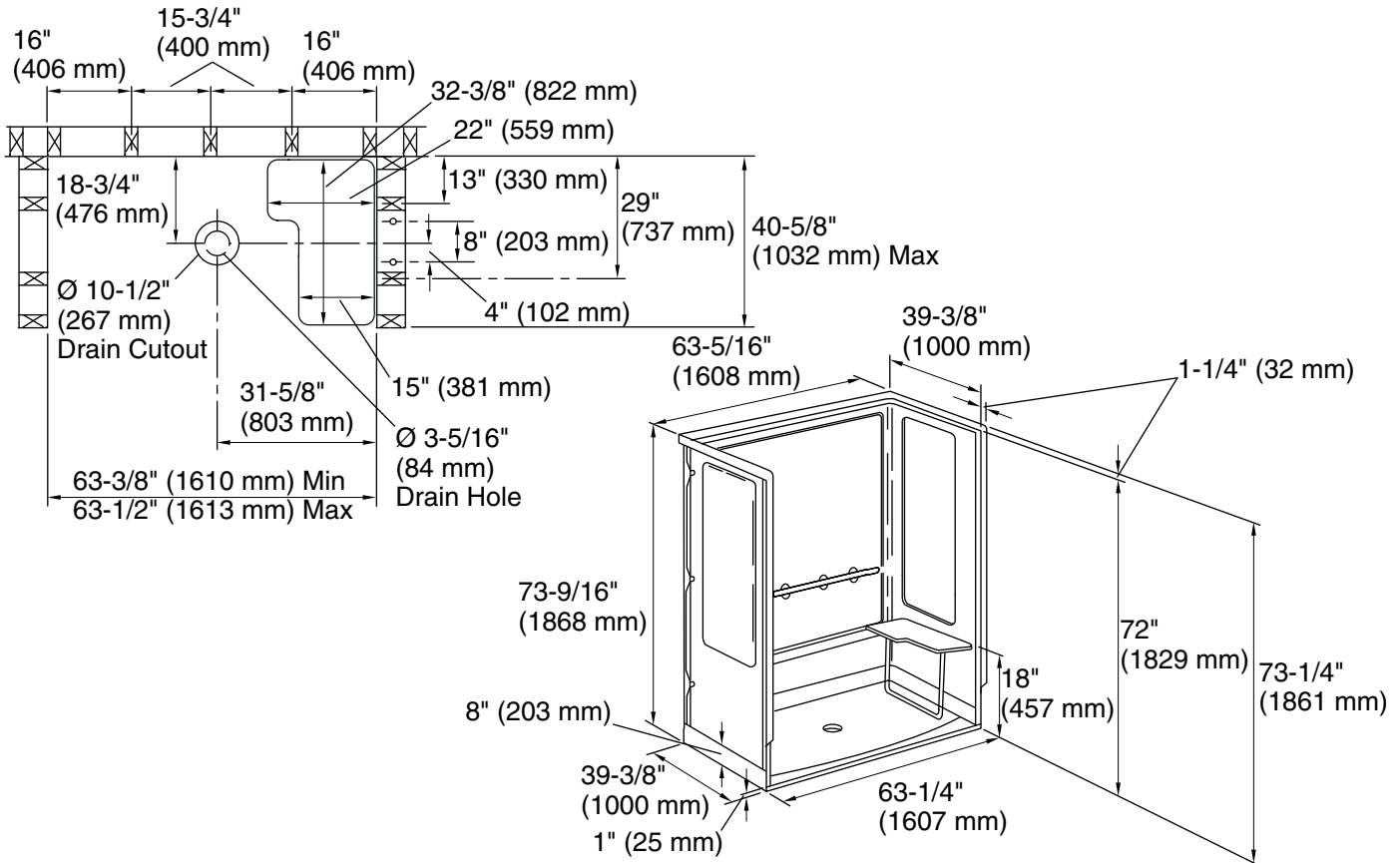
	0	White
--	---	-------

1-800-STERLING (1-800-783-7546)

Kohler Co. reserves the right to make revisions without notice to product specifications.

For the most current Specification Sheet, go to www.sterlingplumbing.com.

8-12-2023 07:05 - US/CA



Technical Information

All product dimensions are nominal.

Installation: Alcove, Corner

Drain location: Center

Notes

Install this product according to the installation instructions.

1/2" minimum finished floor thickness required. Studs should be positioned as shown.

Backerboards and fasteners protrude beyond the back wall 1-1/2" (38 mm). If installing this product against wall board, 1-1/2" (38 mm) furring strips installed over the wall board are recommended. The stud pocket depth of 40-5/8" (1032 mm) will need to be increased by the combined thickness of the wall board and furring strips.

Drain cutout in subfloor to be 10-1/2" (267 mm) per rough-in illustration as shown to allow the backside of the drain to sit below the subfloor surface.

ADA compliant when installed to the specific requirements of these regulations.

MultiChoice® Universal Pressure Balance Tub and Shower

TECK®
COMMERCIAL



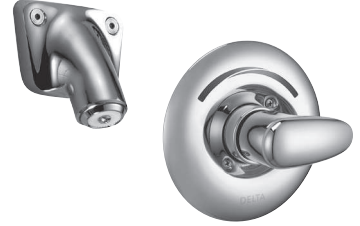
Specification: (example)

- R10000-UNWS** ROUGH-IN only
 - Concealed in-wall MultiChoice® Universal valve
 - Back-to-back capability, Integral screwdriver stops
 - **Heavy Duty forged brass** valve body
 - 1/2" Universal inlets to accept 1/2" copper, 1/2" iron pipe, PEX or CPVC adaptors
 - 1/2" Male thread inlets/outlets
 - Inwall diverter valve
 - T13H** _____ **FINISH TRIM ONLY:**
 - Pressure balancing cartridge with checks
 - Polished chrome plated finish
 - ADA compliant diverter handle
 - Non-removeable red/blue temperature markings
- and ... with ... (add product variation)
 with ... (add shower)
 with ... (add valve handle)

T13H153



T13H162



Engineer/Architect Approval










Model Specified:

Approval:

Date:




TUB AND SHOWER DESCRIPTION	PRODUCT NO.
ROUGH-IN Valve	R10000-UNWS
FINISH TRIM Only	T13H



PRODUCT VARIATION	SHOWER	HANDLE
0 <input type="checkbox"/>	0 Specify "0" When No Shower Outlet Required <input type="checkbox"/>	0 <input type="checkbox"/>
1 Shower Valve Only  <input checked="" type="checkbox"/>	1 <input type="checkbox"/>	1 <input type="checkbox"/>
2 Tub and Shower  <input type="checkbox"/>	2 3-Function Touch-Clean® Showerhead, Arm, Set Screw Flange  <input type="checkbox"/>	2 85mm (3.33") Metal Lever Handle  <input checked="" type="checkbox"/>
3 <input type="checkbox"/>	3 Showerhead, Arm, Set Screw Flange  <input type="checkbox"/>	3 57mm (2.24") Lever Blade Handle  <input type="checkbox"/>
4 <input type="checkbox"/>	4 <input type="checkbox"/>	
5 <input type="checkbox"/>	5 Handshower with 2 Check Valves, 610mm (24") S/S Bar with ADA Slide  <input checked="" type="checkbox"/>	
6 <input type="checkbox"/>	6 30° Vandal Resistant Cast Wallmount Showerhead  <input type="checkbox"/>	
7 <input type="checkbox"/>	7 <input type="checkbox"/>	
8 <input type="checkbox"/>	8 H2Okinetik Technology® Showerhead, Arm, Set Screw Flange  <input type="checkbox"/>	
9 <input type="checkbox"/>	9 <input type="checkbox"/>	

T13H152-20

SHOWER FLOW RATES

SHOWER #	ACTUAL @ 45 PSI (310 kPa)	MAXIMUM @ 80 PSI (552 kPa)
 2	1.7 gpm (6.4 L/min)	2.0 gpm (7.6 L/min)
 3	1.13 gpm (4.3 L/min)	1.5 gpm (5.7 L/min)
 5	1.13 gpm (4.3 L/min)	1.5 gpm (5.7 L/min)
6	1.4 gpm (5.3 L/min)	1.5 gpm (5.7 L/min)
 8	1.5 gpm (5.7 L/min)	1.5 gpm (5.7 L/min)

See DSP-B-R10000-HDF for additional Rough-In options. Refer to www.specselect.com for individual models.

Note: Use this page front and back as a product submittal sheet.

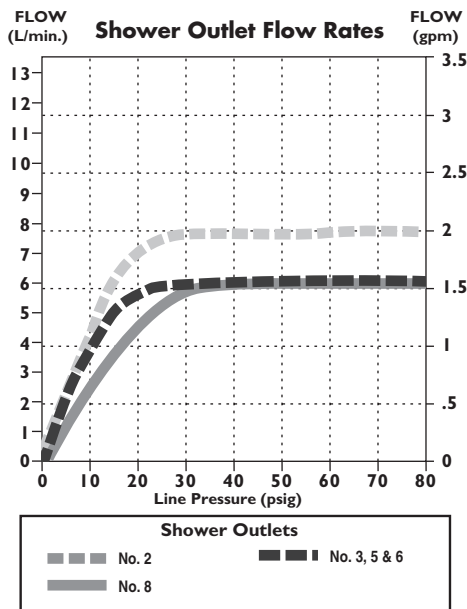
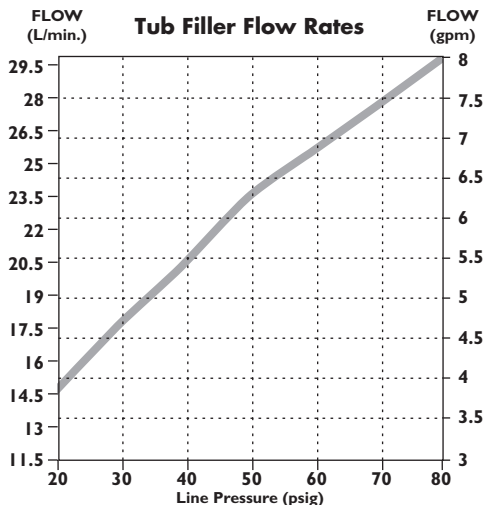
Delta reserves the right (1) to make changes in specifications and materials, and (2) to change or discontinue models, both without notice or obligation. Dimensions are for reference only. See current full-line price book or www.specselect.com for finish options and product availability.

DSP-T13H1 Rev. I

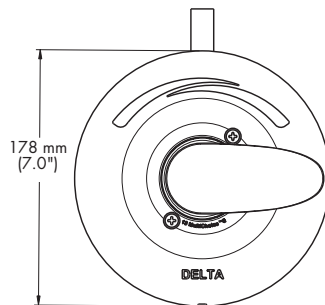
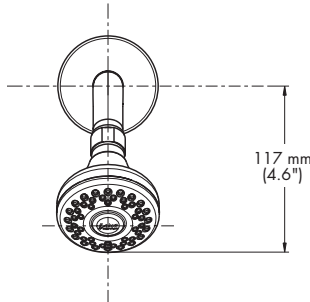
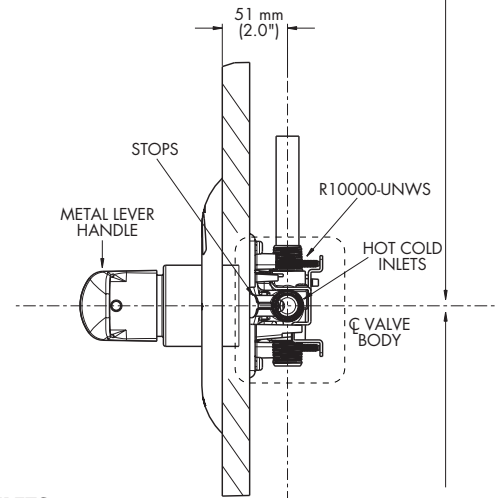
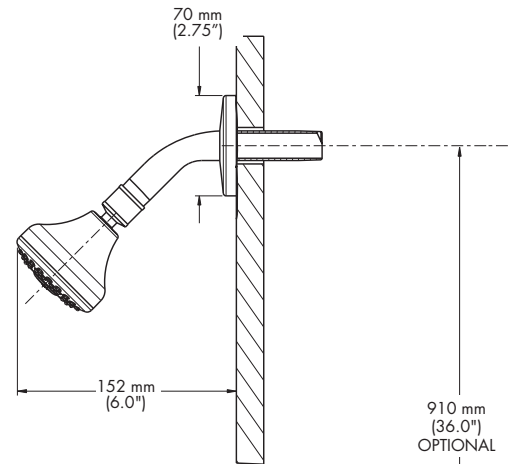
Approvals:

- ASME A112.18.1/CSA B125.1
- Indicates compliance with ICC/ANSI A117.1
- Pressure Balance Valve ASSE 1016
- Handshower back flow protection provided by two integral certified check valves in series, which operate independently, ASME A112.18.3

(Contact Delta Representative for State and/or Local Approvals.)


FLOW RATE vs PRESSURE

FLOW RATE vs PRESSURE


Refer to www.specselect.com for individual models.

**R10000-UNWS Rough-In
 with
 T13H132 Trim**
FRONT VIEW

SIDE VIEW

P/B VALVE INLETS:

- 1/2" Universal inlets accept 1/2" copper,
- 1/2" Iron pipe, PEX or CPVC adaptors
- 1/2" Male thread inlets/outlets

NOTE FOR SHOWER #6: Not for use as an anti-ligature device.

PAUSE WARNING - FOR SHOWER #5

Plumbing Codes require that showerheads and handshowers provide a small but continuous flow of water (trickle) when in "PAUSE" mode. Because of this continuous flow, in certain circumstances pressure variations in the water line and/or changes in the position of the shower temperature control handle while in "PAUSE" mode could result in dramatic changes to the temperature of the water when the shower head or hand shower is returned to the "ON" position.

ALWAYS point the shower head away from yourself when returning to the "ON" position and feel the water with your hand before resuming your shower to ensure the water flow is not too hot or too cold. DO NOT allow children or others who might not understand this warning to use the "PAUSE" function.

Note: Measurements may vary ± 6mm (0.25")

Note: Use this page front and back as a product submittal sheet.

T13H Series Tub and Shower Add-On Options

TECK[®]
COMMERCIAL



DESCRIPTION	ADD-ON NUMBER		
T13H Tub/Shower Add-On Options	-		

A number from the Hose and Slide Bar columns must always be selected, even if it is "0".

HOSE		SLIDE BAR	
0	Always use "0" if NO selection is required from this column	<input type="checkbox"/>	<input checked="" type="checkbox"/>
1		<input type="checkbox"/>	
2	1753 mm (69") Long CP Stainless Steel Hose – Stretches to 92" (2337 mm) (See Note 1)	<input checked="" type="checkbox"/>	<input type="checkbox"/>
3		<input type="checkbox"/>	
4		<input type="checkbox"/>	
5	914mm (36") S/S Slide Bar (See Note 2)	<input type="checkbox"/>	<input checked="" type="checkbox"/>

Note:

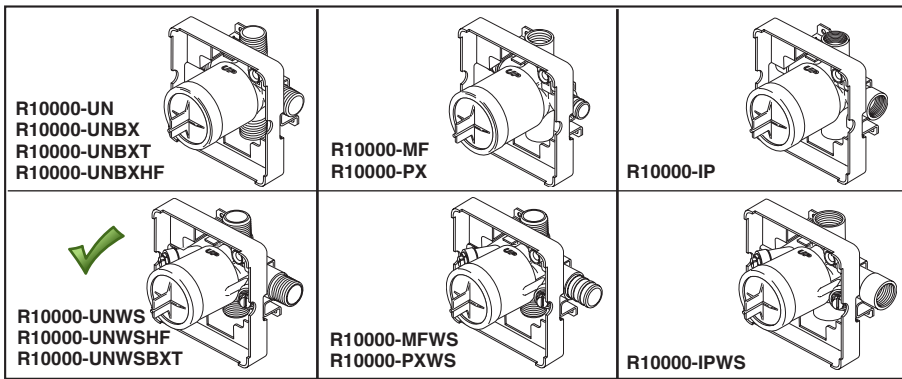
- (1) **Base Product** for the **HOSE, ETC.** option must include **SHOWER** option **No. 5**
- (2) **Base Product** for S/S Slide Bar must include **SHOWER** option **No. 5**



see what Delta can do™

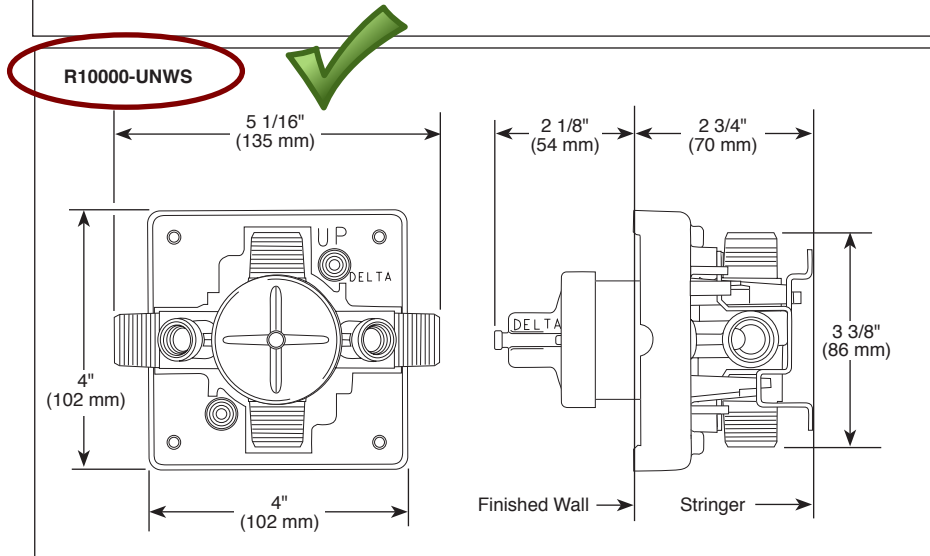
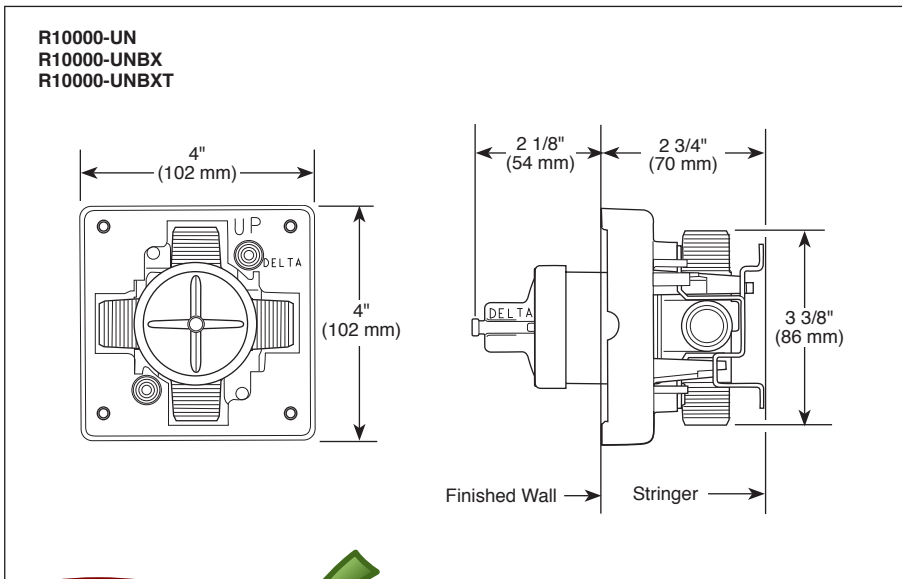
MULTICHOICE® UNIVERSAL ROUGH VALVE BODY

- R10000-UN (Universal Inlets/Outlets)
- R10000-UNBX (Universal Single Box Model)
- R10000-UNBXHF (High Flow Shower Only)
- R10000-UNBXT (Thin Wall)
- R10000-UNWS (Universal with Stops)
- R10000-UNWSHF (High Flow with Stops)
- R10000-UNWSBXT (Thin Wall with Stops)
- R10000-PX (Pex Crimp Connections with UN Outlets)
- R10000-PXWS (Pex Crimp Connections with Stop with UN Outlets)
- R10000-IP (IPS Inlets/Outlets)
- R10000-IPWS (IPS with Stops)
- R10000-MF (Pex Cold Expansion Connections with UN Outlets)
- R10000-MFWS (Pex Cold Expansion with Stops with UN Outlets)



Submitted Model No.: **R10000-UNWS**

Specific Features:



STANDARD SPECIFICATIONS:

- Forged brass body.
- Back-to-Back installation capabilities.
- Can be tested with air (200 PSI) or water (300 PSI) without valve using supplied test cap.
- Square plasterguard allows for right angle cuts.
- Thin wall mounting.
- For use with MultiChoice® Universal single or dual function trim. Cartridge ships with trim.
- 1/2" outlets and connections.

Note: No tub outlet in HF model.
 Note: Should use proper fitting with each type (copper tubing, iron pipe, and pex fitting).
 Note: Should use proper tooling with crimping pex fitting and cold expansion pex models.
 Note: IP indicates female 1/2" threaded connections.
 Note: UN indicates Universal type fitting and is 1/2" NPT male thread with 1/2" C.W.T. female sweat.

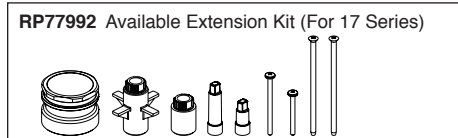
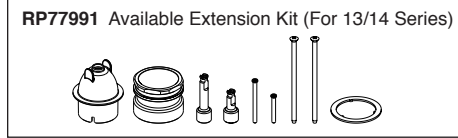
WARRANTY

- Lifetime limited warranty on parts (other than electronic parts and batteries) and finishes: or, for commercial users, for 5 years from date of purchase.
- 5 year limited warranty on electronic parts (other than batteries); or, for commercial users, for 1 year from the date of purchase. No warranty is provided on batteries.

COMPLIES WITH:

- ASME A112.18.1 / CSA B125.1

Delta Faucet Company
 55 E. 111th Street, Indianapolis, IN 46280
 350 South Edgeware Road, St. Thomas, ON N5P 4L1
 © 2017 Delta Faucet Company



Delta reserves the right (1) to make changes in specifications and materials, and (2) to change or discontinue models, both without notice or obligation. Dimensions are for reference only. See current full-line price book or www.deltafaucet.com for finish options and product availability.

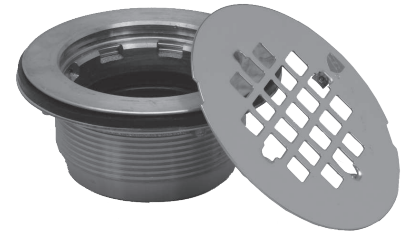
Specifications



PF140NC No Caulk Shower Drain

Product Features

- Fits over 2" schedule 40 DWV pipe
- Snap-in strainer
- 4-1/4" OD
- Stainless steel strainer standard
- No Caulk outlet (with gasket)



PF140NC

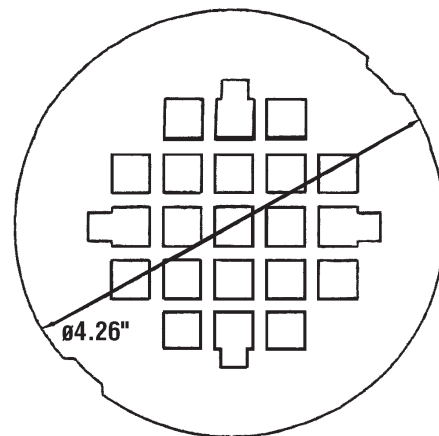
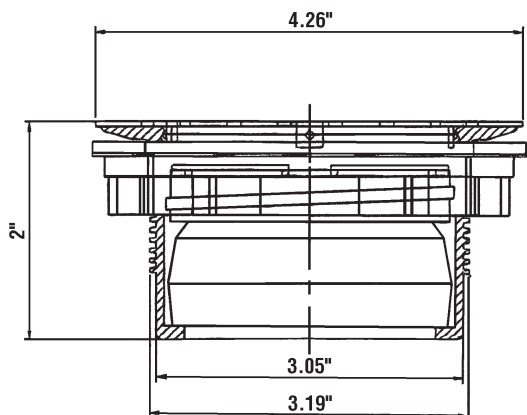
Replacement Strainers

PFSP13PK	Stainless Steel
SH602CP	Chrome
SH602BN	Brushed Nickel
SH602ORB	Oil rubbed Bronze
SH602PN	Polished nickel
SH602BG	Brushed gold
SH602MB	Matte black

Optional Accessories

PF140NCGCI	For cast iron installation
PF140NCGCO	For copper installation
PF140NCGPL	Replacement for plastic pipe installation

Product Specifications



Warranty and Codes

IAPMO, cUPC, ASME A112.18.2-2005/CSA B125.2

This PROFLO product carries a 1-year limited warranty.

©2022 Ferguson Enterprises, LLC. FG 09/2022



FERGUSON.COM/PROFLO

Spec Section:

Submittal Name

SK-1 SINK

Part	Vendor
DDSE233224 - 33X22 4H 2B SS SINK 8.0	DAYTON
DB4410LF - CCY LEAD LAW COMPLIANT 1.8 GALLONS PER MINUTE 1 HANDLE KITCHEN FAUCET WITH SPRAY	DELTA
PFEWP200 - 1-1/2X13 PLAS EO WST DISP KIT WH	PROFLO
PFPTP105 - 1-1/2 PLAS P TRAP SJ W/SW ADPT WH	PROFLO
PFXQAC32CLK - LEAD LAW COMPLIANT 5/8 X 3/8 OD COMP QUARTER TURN ANGLE ST LOOSE KEY CHROME PLATED	PROFLO
PFX146324 - LEAD LAW COMPLIANT 3/8 C X 1/2 FIP 20 STAINLESS STEEL SINK CONNECTOR	PROFLO
PFE7 - 5/8" OD CP SHALLOW ESC FLANGE	PROFLO
WZW3870XLT4PC - LF 3/8 THERMOSTATIC MIXING VA	WILKINS
PFX146344 - LEAD LAW COMPLIANT 3/8 X 3/8 C 20 STAINLESS STEEL SINK CONNECTOR	PROFLO
IBADGER5 - 1/2 HP DISPOSER	ISE

PRODUCT SPECIFICATIONS

Dayton Stainless Steel 33" x 22" x 8-1/16", Equal Double Bowl Top Mount Sink. Sink is manufactured from 20 gauge 300 series Stainless Steel with a Elite Satin finish, Center drain placement, and Bottom only pads.

Installation Type:	Top Mount
Material:	300 series Stainless Steel
Finish:	Elite Satin
Gauge:	20
Sound Deadening:	Bottom only pads
Number of Bowls:	2
Sink Dimensions:	33" x 22" x 8-1/16"
Bowl 1 Dimensions:	14" x 15-3/4" x 7-7/8"
Bowl 2 Dimensions:	14" x 15-3/4" x 7-7/8"
Drain Size:	3-1/2" (89mm)
Drain Location:	Center
Minimum Cabinet Size:	36"
Mounting Hardware:	Part # 64090012 included for countertops up to 3/4" (19mm) thick
Cutout Template #:	1000001189

Template is available for download at [elkay.com](#)

Cutout Dimensions for Top Mount Installation:

32-3/8" x 21-3/8" (822mm x 543mm) with 1-1/2" (38mm) corner radius



AMERICAN PRIDE. A LIFETIME TRADITION. Like your family, the Elkay family has values and traditions that endure. For almost a century, Elkay has been a family-owned and operated company, providing thousands of jobs that support our families and communities.



Product Compliance: ASME A112.19.3/CSA B45.4
BUY AMERICAN ACT



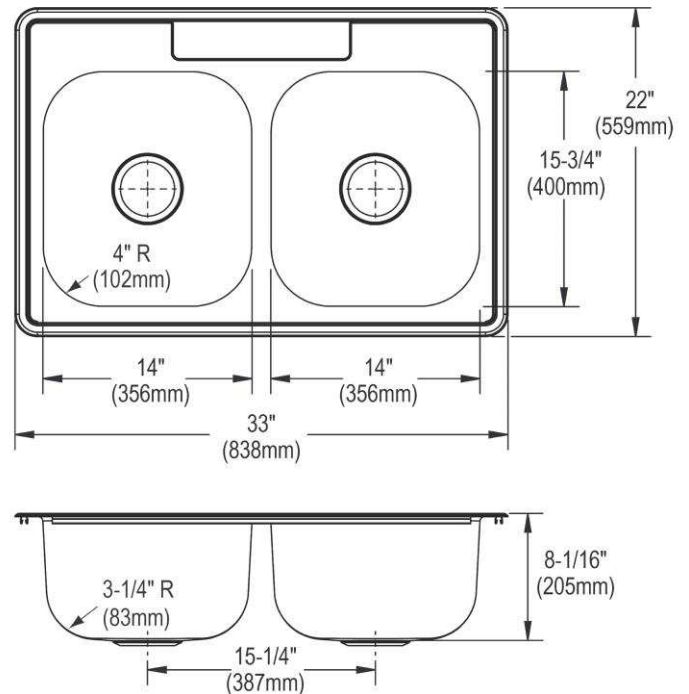
Sinks are listed by IAPMO® as meeting the applicable requirements of the Uniform Plumbing Code®, International Plumbing Code®, and National Plumbing Code of Canada.

[Clean and Care Manual \(PDF\)](#)

[Installation Instructions \(PDF\)](#)

[Limited Lifetime Warranty \(PDF\)](#)

Similar models are available with: master pack quantities



PART: _____ QTY: _____

PROJECT: _____

CONTACT: _____

DATE: _____

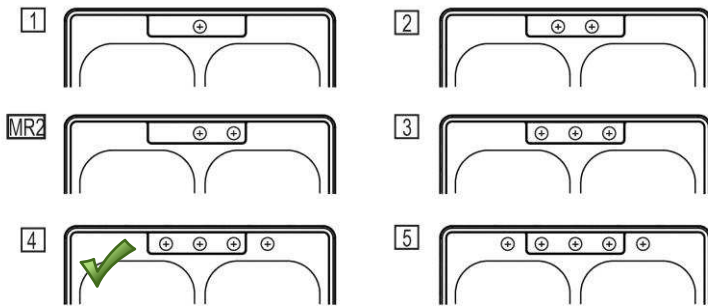
NOTES: _____

APPROVAL: _____

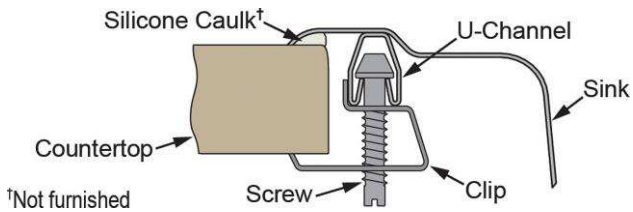
In keeping with our policy of continuing product improvement, Elkay reserves the right to change product specifications without notice. Please visit [elkay.com](#) for the most current version of Elkay product specification sheets. This specification describes an Elkay product with design, quality, and functional benefits to the user. When making a comparison of other producers' offerings, be certain these features are not overlooked.

Hole Drilling Configurations:

1-1/2" (38mm) Diameter Faucet Holes on 4" (102mm) Centers



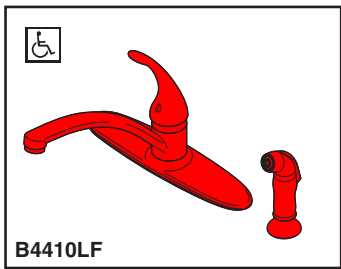
Installation Profile:



OPTIONAL ACCESSORIES

Bottom Grid:	GBG1415SS
Drain:	D1125
Hardware:	LK364, LK463
Sinkmate:	LKSMHSL

In keeping with our policy of continuing product improvement, Elkay reserves the right to change product specifications without notice. Please visit elkay.com for the most current version of Elkay product specification sheets. This specification describes an Elkay product with design, quality, and functional benefits to the user. When making a comparison of other producers' offerings, be certain these features are not overlooked.



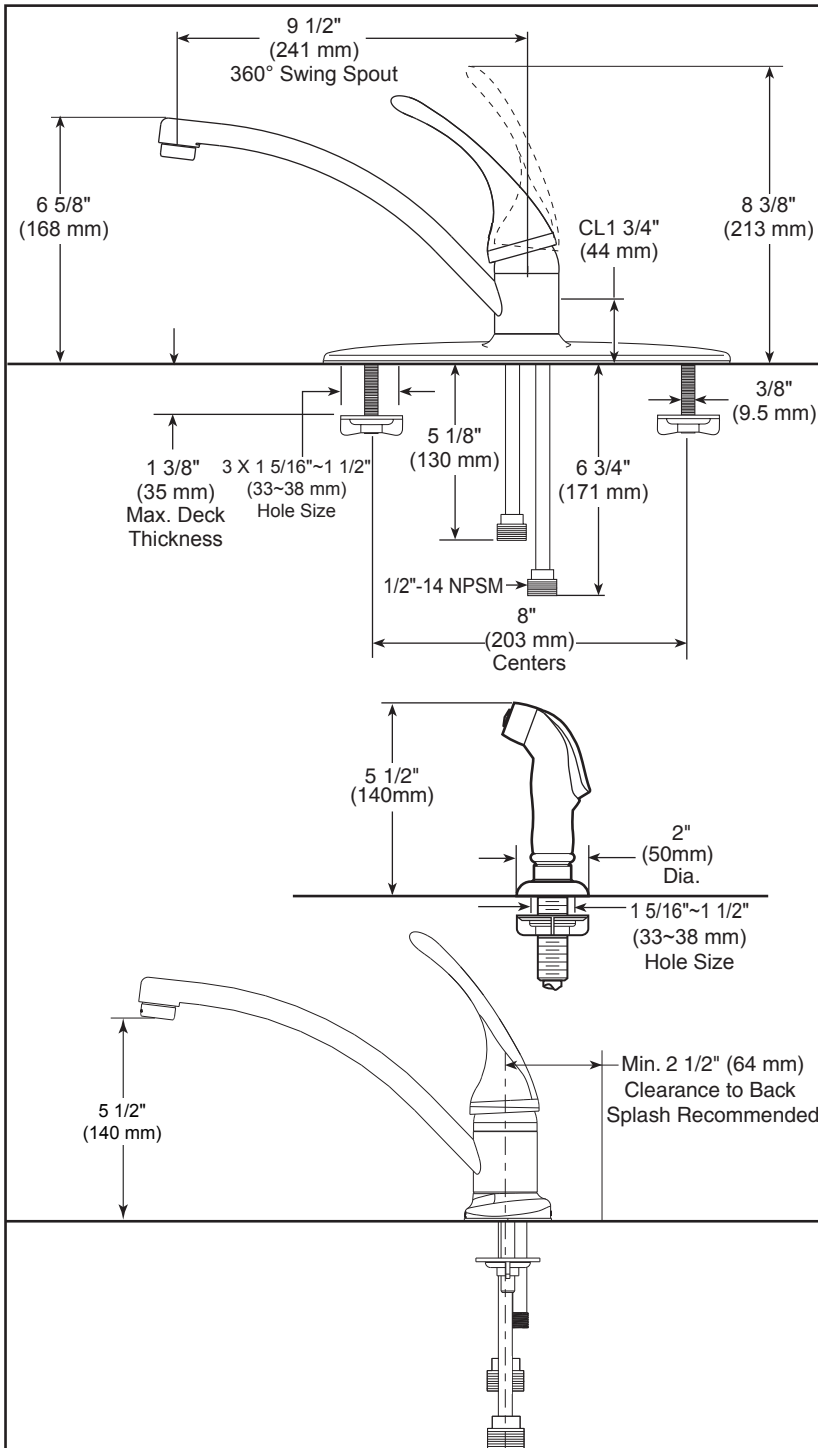
KITCHEN FAUCETS

- Single Handle With Side Spray
- 4 Hole Sink Applications
- 8" Centerset

STANDARD SPECIFICATIONS:

- 8" (203 mm) centerset.
- 9 1/2" (241 mm) long, 6 5/8" (168 mm) high spout swings 360°.
- All operating parts shall be replaceable from the top.
- 1/2" -14 NPSM threaded male inlet adapters.
- Lever handle control mechanism is the rotating stainless steel ball type with replaceable non-metallic seats.
- Control handle shall return to neutral position when valve is turned off.
- Models with spray attachment has antisiphon device as integral part of valve body.
- Max. 1.80 gpm @ 60 psi, 6.8 L/min @ 414 kPa

Submitted Model No.: _____
 Specific Features: _____



▲ Designate proper finish suffix

WARRANTY

- Lifetime limited warranty on parts (other than electronic parts and batteries) and finishes; or, for commercial users, for 5 years from date of purchase.
- 5 year limited warranty on electronic parts (other than batteries); or, for commercial users, for 1 year from the date of purchase. No warranty is provided on batteries.



COMPLIES WITH:

- ASME A112.18.1 / CSA B125.1
- ♿ Indicates compliance to ICC/ANSI A117.1

Verified compliant with 0.25% weighted average Pb content regulations.



55 E 111th Street, Indianapolis, Indiana 46280
 350 South Edgeware Road, St. Thomas, ON N5P 4L1
 © 2015 Masco Corporation of Indiana

Delta reserves the right (1) to make changes in specifications and materials, and (2) to change or discontinue models, both without notice or obligation. Dimensions are for reference only. See current full-line price book or www.deltafaucet.com for finish options and product availability.

DSP-K-B4410LF Rev. F

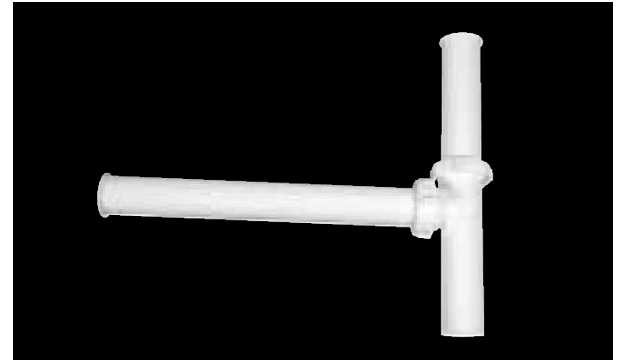
PFEWP200 Series

Plastic End Outlet Waste Disposer Kit w/ Baffle



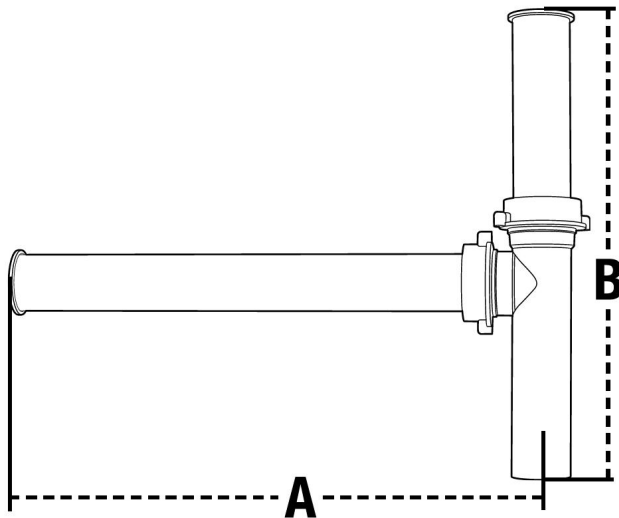
Product Features

- 1-1/2 X 13 Plastic End Outlet Waste Disposer Kit
- PFEWP202 : 1-1/2 x 13-18" Adjustable Waste Arm
- Less P-Trap
- Material: Poly Propylene
- IAPMO Listed

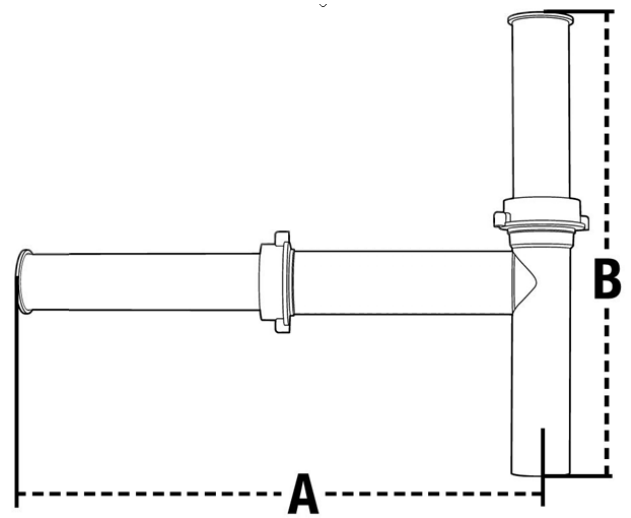


PFEWP200

✓ For Submittal	Model Number	Description	Dimensions				Color
			A		B		
			in	mm	in	mm	
✓	PFEWP200	1-1/2 x 13" Plastic End Outlet Waste Disposer Kit w/ Baffle	13	330.2	12 5/8	320.7	White
	PFEWP201	1-1/2 x 13" Plastic End Outlet Waste Disposer Kit w/ Baffle	13	330.2	12 5/8	320.7	Black
	PFEWP202	1-1/2 X 13-18" Plastic Telescopic End Outlet Waste Disposer Kit w/ Baffle	13 - 18	330.2 - 457.2	12 5/8	320.7	Black



PFEWP200 / PFEWP201



PFEWP202

Warranty and Codes

This PROFLO product carries a 1-year limited warranty.



PFFTP100 / PFFTP200 Series

Plastic SJ Tubular P Trap



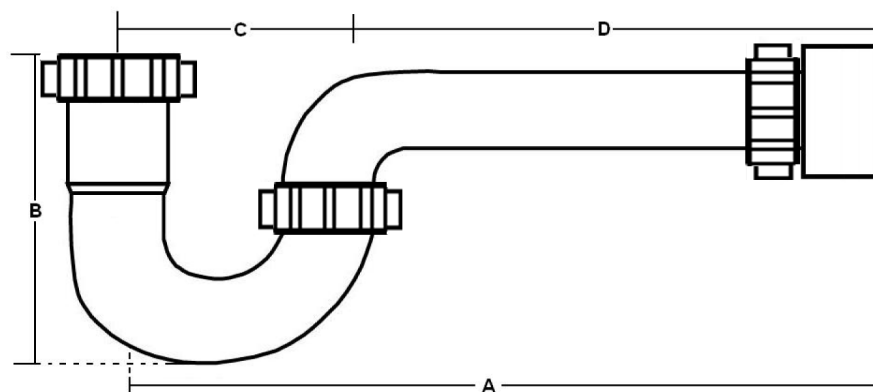
Product Features

- Material: Poly Propylene and PVC/ABS
- All Necessary Parts Included
- IAPMO Listed



PFFTP100

✓ For Submittal	Model Number	Description	Adapter		Dimisions								Color	Flange
					A		B		C		D			
			Style	Material	in	mm	in	mm	in	mm	in	mm		
	PFFTP100	1-1/4 X 1-1/2 Plastic SJ Tubular P Trap	Marvel	PVC	12 1/4	311.2	4 5/8	117.5	3 1/2	88.9	8 3/4	222.3	White	N/A
	PFFTP101	1-1/4 X 1-1/2 Plastic SJ Tubular P Trap	Marvel	ABS	12 1/4	311.2	4 5/8	117.5	3 1/2	88.9	8 3/4	222.3	Black	N/A
	PFFTP102	1-1/4 X 1-1/2 Plastic SJ Tubular P Trap	Marvel	ABS	12 1/4	311.2	4 5/8	117.5	3 1/2	88.9	8 3/4	222.3	WH/BLK	N/A
	PFFTP104	1-1/4 Plastic SJ Tubular P Trap	N/A	N/A	11 1/4	285.8	4 5/8	117.5	3 1/2	88.9	7 3/4	196.9	White	N/A
✓	PFFTP105	1-1/2 Plastic SJ Tubular P Trap	Solvent Weld	PVC	12 1/4	311.2	4 5/8	117.5	3 1/2	88.9	8 3/4	222.3	White	Deep Box
	PFFTP200	1-1/4 X 1-1/2 Plastic SJ Tubular P Trap	N/A	N/A	12 1/4	311.2	4 5/8	117.5	3 1/2	88.9	8 3/4	222.3	Chrome	Deep Box



Warranty and Codes

This PROFLO product carries a 1-year limited warranty.



Specifications

PFXQ Series

Lead-Free Quarter-Turn Supply Stops



Product Features

- Chrome plated stops
- Lead-free brass body
- Lead-free brass stem
- Lead-free brass ball mechanism
- Angle, straight and 3-way stops available
- Operating pressure: 125psi maximum
- Operating temperature: 40°F-160°F
- Quarter-turn operation
- Blowout-proof stem

Codes and Certifications

- cUPC approved
- ASME A112.18.1/CSA B125.1
- NSF/ANSI/CAN 61
- NSF 372- Low Lead

Model Numbers

Angle Stops

PFXQAT32C*	LF 1/2 FIP X 3/8 COMP ANG ST QT CP
PFXQAC32C*	LF 5/8 COMP X 3/8 COMP ANG ST QT CP
PFXQAP32C	LF 1/2 PEX X 3/8 COMP ANG ST QT CP
PFXQAS32C*	LF 1/2 SWT X 3/8 COMP ANG ST QT CP
PFXQAT22C	LF 3/8 FIP X 3/8 COMP ANG ST QT CP
PFXQAT32C	LF 1/2 FIP X 3/8 COMP ANG ST QT CP
PFXQAV32C	LF 1/2 CPVC X 3/8 COMP ANG ST QT CP
PFXQAC32CLK*	LF 5/8X3/8 OD COMP QT ANG ST L/K CP
PFXQAJ34C	LF 5/8 OD X 7/16 & 1/2 SJ ANG ST CP

Straight Stops

PFXQSC32C*	LF 5/8 X 3/8 COMP STRT ST QT CP
PFXQSC32C	LF 5/8 X 3/8 COMP STRT ST QT CP
PFXQSP32C	LF 1/2 F1807 PEX X 3/8OD QT STRT ST
PFXQSS32C*	LF 1/2 SWT X 3/8 COMP STRT ST QT CP
PFXQST22C	LF 3/8 FIP X 3/8 COMP STRT ST QT CP
PFXQST32C	LF 1/2 FIP X 3/8 COMP STRT ST QT CP
PFXQSV32C	LF 1/2 CPVC X 3/8 COMP STRT ST QT

3-Way Stops

PFXQ3C322C*	LF 3/8 COMP X 5/8 COMP 3W ST QT CP
--------------------	------------------------------------

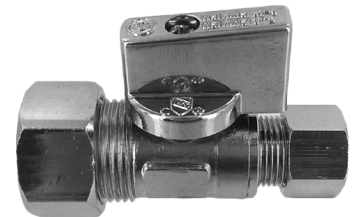
*For use copper tube only.



PFXQAT32C



PFXQAC32C



PFXQSC32C

Warranty and Codes

This PROFLO product carries a 1-year limited warranty. ASME A112.18.1-2005/CSA B125.1-05.



Specifications

PFX146

Stainless Steel and PVC Faucet Reinforced Flexible Connectors



Product Features

- Working Temperature: 40°F – 140°F
- Working Pressure: Up to 125 PSI maximum
- Internal Hose: Reinforced PVC
- Outer Wire Braid: 304 stainless steel (not applicable to PVC connectors PFX146022, PFX146023, PFX146024)
- Barb: Low lead brass alloy
- Metal Nuts: Nickel-plated brass alloy
- Ferrule: Nickel-plated brass alloy
- Washer: Santoprene rubber

Installation Instructions

- For use with water in accessible locations only
- Metal Nuts: Hand-tighten plus 1/4 turn with wrench
- Do not overtighten nuts
- Check for leaks before leaving jobsite
- Inspect regularly for general fitness and replace if damaged, corroded or worn
- Do not expose to corrosive chemicals

Models and Product Certifications

Model #	Description	cUPC	UPC	Low Lead
PFX146022	3/8" COMP X 1/2" FIP X 12" PVC Faucet	✓	✓	✓
PFX146023	3/8" COMP X 1/2" FIP X 16" PVC Faucet	✓	✓	✓
PFX146024	3/8" COMP X 1/2" FIP X 20" PVC Faucet	✓	✓	✓
PFX146302	1/2" FIP X 1/2" FIP X 12" SS Faucet	✓	✓	✓
PFX146303	1/2" FIP X 1/2" FIP X 16" SS Faucet	✓	✓	✓
PFX146304	1/2" FIP X 1/2" FIP X 20" SS Faucet	✓	✓	✓
PFX146306	1/2" FIP X 1/2" FIP X 30" SS Faucet	✓	✓	✓
PFX146322	3/8" COMP X 1/2" FIP X 12" SS Faucet	✓	✓	✓
PFX146323	3/8" COMP X 1/2" FIP X 16" SS Faucet	✓	✓	✓
PFX146324	3/8" COMP X 1/2" FIP X 20" SS Faucet	✓	✓	✓
PFX146326	3/8" COMP X 1/2" FIP X 30" SS Faucet	✓	✓	✓



PFX146322



PFX146430



PFX146302



PFX146024

Model #	Description	cUPC	UPC	Low Lead
PFX146330	3/8" COMP X 1/2" FIP X 48" SS Faucet	✓	✓	✓
PFX146332	3/8" COMP X 1/2" FIP X 60" SS Faucet	✓	✓	✓
PFX146334	3/8" COMP X 1/2" FIP X 72" SS Faucet	✓	✓	✓
PFX146342	3/8" COMP X 3/8" COMP X 12" SS Faucet	✓	✓	✓
PFX146343	3/8" COMP X 3/8" COMP X 16" SS Faucet	✓	✓	✓
PFX146344	3/8" COMP X 3/8" COMP X 20" SS Faucet	✓	✓	✓
PFX146423	1/2" COMP X 1/2" FIP X 16" SS Faucet	✓	✓	✓
PFX146424	1/2" COMP X 1/2" FIP X 20" SS Faucet	✓	✓	✓
PFX146430	3/8" COMP X 3/8" OD COUP X 12" SS Faucet	✓	✓	✓
PFX146432	3/8" COMP X 3/8" OD COUP X 20" SS Faucet	✓	✓	✓

Warranty and Codes

This PROFLO product carries a 1-year limited warranty.
IAPMO listed to ASME A112.18.6-2017/CSA B125.6-17.
IAPMO listed to NSF/ANSI 61-2018.



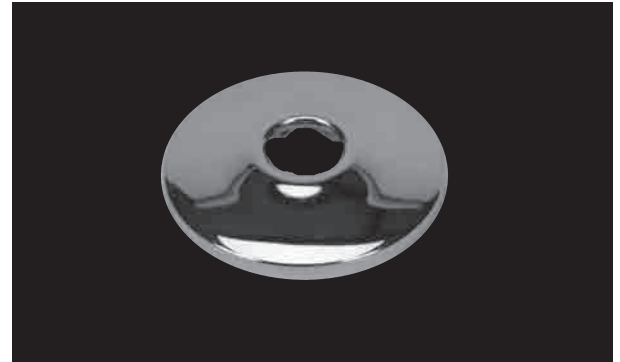
Escutcheons

Standard Type



Product Features

- Fits iron pipe and copper tube
- Chrome plated steel and polished brass



PFE1

Model Numbers

✓ For Submittal	Part Number	Description	Material	Thickness	IPS	CWT/CTS	OUTSIDE DIAMETER	Finish
	PFE1	3/8" IPS CP ESCUTCHEON	Steel	30 GA	3/8"		2 1/2"	Chrome Plated
	PFE2	1/2" IPS CP ESCUTCHEON	Steel	30 GA	1/2"		2 1/2"	Chrome Plated
	PFE2PB	1/2" IPS PB ESCUTCHEON	Steel	30 GA	1/2"		2 1/2"	Polished Brass
✓	PFE7	5/8" OD CP ESCUTCHEON	Steel	30 GA		5/8" OD (1/2" CTS)	2 1/2"	Chrome Plated
	PFE7PB	5/8" OD PB ESCUTCHEON	Steel	30 GA		5/8" OD (1/2" CTS)	2 1/2"	Polished Brass
	PFE8	3/4" IPS CP ESCUTCHEON	Steel	30 GA	3/4"		2 1/2"	Chrome Plated
	PFE9	7/8" OD CP ESCUTCHEON	Steel	30 GA		7/8" OD (3/4" CTS)	2 1/2"	Chrome Plated
	PFE9A	1" IPS CP ESCUTCHEON	Steel	30 GA	1"		2 3/4"	Chrome Plated
	PFE10	1 1/4" IPS CP ESCUTCHEON	Steel	30 GA	1-1/4"		3"	Chrome Plated
	PFE11	1-1/2" IPS CP ESCUTCHEON	Steel	30 GA	1-1/2"		3"	Chrome Plated
	PFE11PB	1-1/2" POL BRS IPS SHAL ESC	Steel	30 GA	1-1/2"		3"	Polished Brass
	PFE16A	2" IPS CP ESCUTCHEON	Steel	30 GA	2"		3 1/2"	Chrome Plated

Warranty and Codes

The PROFLO product carries a 1-year limited warranty.



Model ZW3870XLT

Aqua-Gard® Thermostatic Mixing Valve

Application

Ideal for use where Lead Free* valves are required. The Zurn Wilkins Model ZW3870XLT Aqua-Gard® Thermostatic mixing valve is designed to be installed at the point of use under sinks and sensor faucets to assist in the prevention of scalding. The valves rapid response and precise temperature control meet the stringent standards of ASSE 1070 listed for fixtures, sinks, lavatories or bathtubs. The ZW3870XLT will mix hot and cold water from the distribution system to a final safer temperature outlet range of 95-115F (35-46C). The 3/8" compression fittings make this valve ideal for residential and commercial applications. With a minimum flow rating of 0.06 GPM the valve will provide proper scald protection when used in conjunction with ultra low flow faucet aerators.

Standards Compliance

- ASSE® Listed 1070
- cUPC® Listed
- CSA® Certified B125.70
- Meets the requirements of NSF/ANSI/CAN 61-9 Qs1* (0.25% MAX. WEIGHTED AVERAGE LEAD CONTENT)

Features

Sizes: 3/8"
 Chrome Plated
 Outlet Temp. Range 95-115°F(35-46°C)
 Temperature Hot Supply 120-195°F max. (49-90.5°C)
 Temperature Cold Supply 40-75°F(4.4-23.8°C)
 Set Temperature Accuracy +/- 3°F(1.78°C)
 Max. Working Pressure (inlet) 145 psi
 Temperature must be field set
 Max. Pressure Differential is 15 psi between Hot & Cold inlets
 Flow rate @ 45 psi pressure loss 3.10 gpm
 Min. Flow Rate 0.06 gpm
 Integral check valves and strainer screen on hot and cold supply



XL LEAD FREE



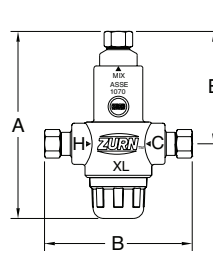
NSF/ANSI/CAN 61-9 Qs1



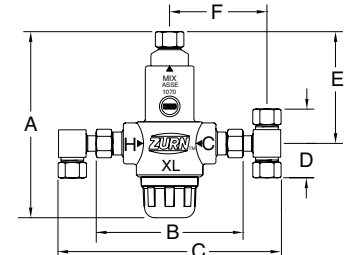
Materials

Body Low Lead Cast Bronze ASTM B 584 w/Chrome Plating
 Internal brass ASTM B 456 Service Condition #2
 Low Lead Brass, ASTM B 927 UNS C27450
 Piston Polysufone
 Guide Tube Noryl GFN2
 Spring 300 Series Stainless Steel
 Seals Viton
 Checks Acetal Co-Polymer

- ✓ ZW3870XLT 3 PORT (1 Hot in, 1 Cold in, 1 Mixed out)
- ZW3870XLT-4P 4 PORT (1 Hot in, 1 Cold in, 1 Cold out, 1 Mixed out.)



ZW3870XLT

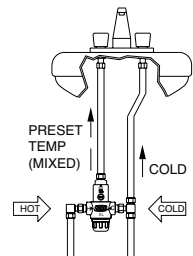
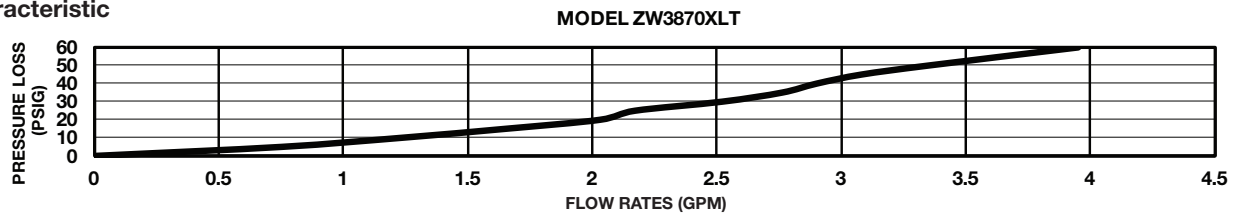


ZW3870XLT-4P

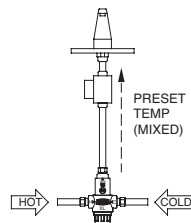
Dimensions & Weights (do not include pkg.)

MODEL	SIZE		DIMENSIONS (approximate)												WEIGHT	
			A		B		C		D		E		F			
	in.	mm	in.	mm	in.	mm	in.	mm	in.	mm	in.	mm	in.	mm	lbs.	kg.
ZW3870XLT	3/8	9.5	4 27/32	123	4 3/16	106.3	5 55/64	149	2 1/32	52	2 27/32	72.2	2 1/2	64	1.2	.6

Flow Characteristic



INDIVIDUAL USE
ZW3870XLT-4P



SINGLE USE
ZW3870XLT

Piping Instructions

The device is designed to be installed at a single outlet. It may be used to supply individual outlets when there is sufficient supply pressure. It is suggested to use ball valves on the hot and cold inlet supplies.

Specifications

PFX146

Stainless Steel and PVC Faucet Reinforced Flexible Connectors



Product Features

- Working Temperature: 40°F – 140°F
- Working Pressure: Up to 125 PSI maximum
- Internal Hose: Reinforced PVC
- Outer Wire Braid: 304 stainless steel (not applicable to PVC connectors PFX146022, PFX146023, PFX146024)
- Barb: Low lead brass alloy
- Metal Nuts: Nickel-plated brass alloy
- Ferrule: Nickel-plated brass alloy
- Washer: Santoprene rubber

Installation Instructions

- For use with water in accessible locations only
- Metal Nuts: Hand-tighten plus 1/4 turn with wrench
- Do not overtighten nuts
- Check for leaks before leaving jobsite
- Inspect regularly for general fitness and replace if damaged, corroded or worn
- Do not expose to corrosive chemicals

Models and Product Certifications

Model #	Description	cUPC	UPC	Low Lead
PFX146022	3/8" COMP X 1/2" FIP X 12" PVC Faucet	✓	✓	✓
PFX146023	3/8" COMP X 1/2" FIP X 16" PVC Faucet	✓	✓	✓
PFX146024	3/8" COMP X 1/2" FIP X 20" PVC Faucet	✓	✓	✓
PFX146302	1/2" FIP X 1/2" FIP X 12" SS Faucet	✓	✓	✓
PFX146303	1/2" FIP X 1/2" FIP X 16" SS Faucet	✓	✓	✓
PFX146304	1/2" FIP X 1/2" FIP X 20" SS Faucet	✓	✓	✓
PFX146306	1/2" FIP X 1/2" FIP X 30" SS Faucet	✓	✓	✓
PFX146322	3/8" COMP X 1/2" FIP X 12" SS Faucet	✓	✓	✓
PFX146323	3/8" COMP X 1/2" FIP X 16" SS Faucet	✓	✓	✓
PFX146324	3/8" COMP X 1/2" FIP X 20" SS Faucet	✓	✓	✓
PFX146326	3/8" COMP X 1/2" FIP X 30" SS Faucet	✓	✓	✓



PFX146322



PFX146430



PFX146302



PFX146024

Model #	Description	cUPC	UPC	Low Lead
PFX146330	3/8" COMP X 1/2" FIP X 48" SS Faucet	✓	✓	✓
PFX146332	3/8" COMP X 1/2" FIP X 60" SS Faucet	✓	✓	✓
PFX146334	3/8" COMP X 1/2" FIP X 72" SS Faucet	✓	✓	✓
PFX146342	3/8" COMP X 3/8" COMP X 12" SS Faucet	✓	✓	✓
PFX146343	3/8" COMP X 3/8" COMP X 16" SS Faucet	✓	✓	✓
PFX146344	3/8" COMP X 3/8" COMP X 20" SS Faucet	✓	✓	✓
PFX146423	1/2" COMP X 1/2" FIP X 16" SS Faucet	✓	✓	✓
PFX146424	1/2" COMP X 1/2" FIP X 20" SS Faucet	✓	✓	✓
PFX146430	3/8" COMP X 3/8" OD COUP X 12" SS Faucet	✓	✓	✓
PFX146432	3/8" COMP X 3/8" OD COUP X 20" SS Faucet	✓	✓	✓

Warranty and Codes

This PROFLO product carries a 1-year limited warranty.
IAPMO listed to ASME A112.18.6-2017/CSA B125.6-17.
IAPMO listed to NSF/ANSI 61-2018.



STANDARD SERIES

Badger[®] 5



Submittal Sheet

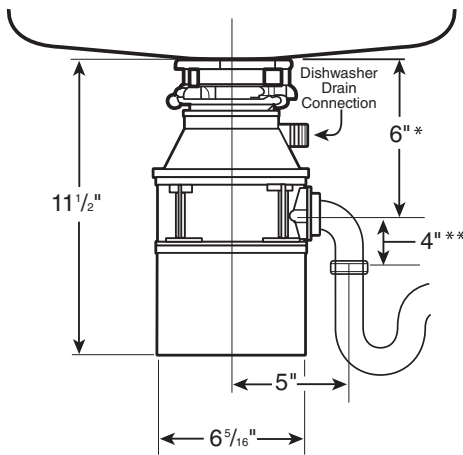
This popular model offers the following features and benefits:

- 1/2 Horsepower Heavy Duty Motor (Quiet Dura-Drive[®] Induction Motor)
- *We Come To You[®]* 3-Year In-Home Limited Warranty
- Rugged Galvanized Steel Construction (For Disposer Durability)
- Space-Saving Compact Design
- Available with or without a factory installed power cord.

Specifications

Type of Feed	Continuous
On/Off Control	Wall Switch
Motor	Single Phase
HP	1/2
Volts	120
HZ	60
RPM	1725
Amp. (Avg. Load)	6.3
Time Rating	Intermittent
Lubrication	Permanently Lubricated Upper & Lower Bearings
Shipping Weight (Approx.)	13 lbs. 10 oz. (without cord) 13 lbs. 14 oz. (with cord)
Unit Finish	Condor Grey
Overall Height	11-1/2"
Grind Chamber Capacity	26 oz.
Motor Protection	Manual Reset Overload
Average Water Usage	Approx. 1 Gallon per Person Per Day
Average Electrical Usage	3-4 KWh per Year
Drain Connection	1-1/2" Cushioned Slip Joint
Dishwasher Drain Connection	Yes
Factory Installed Power Cord	Available with or without

Dimensions



Sample Specification

Food Waste Disposer(s) shall be InSinkErator Badger[®] 5, continuous feed, with 1/2 H.P. motor, galvanized steel grinding elements with two stainless steel 360° swivel lugs. Self-service wrench.

Available with or without a factory installed power cord.

Warranty:
3-Year parts and in-home service.

* The complete InSinkErator warranty is included in the Care & Use Booklet packed with each unit.

- * Distance from bottom of sink to center line of disposer outlet. Add 1/2" when stainless steel sinks are used.
- ** Length of tailpipe from center line of disposer outlet to end of tailpipe. NOTE: Plumb waste line to prevent standing water in disposer motor housing.

Job Specifications



Food waste is roughly 80% water. By using your disposal regularly, you can help divert food waste from landfills and reduce greenhouse gas emissions. Make sustainability a family affair by using your disposal. After all, the smallest changes can make the biggest impact.



The Emerson logo is a trademark and service mark of Emerson Electric Co. The mounting collar configuration is a trademark of Emerson Electric Co.

InSinkErator may make improvements and/or changes in the specifications at any time, in its sole discretion, without notice or obligation and further reserves the right to change or discontinue models.

1-800-558-5700
www.insinkerator.com

Spec Section:

Submittal Name

WC-1 WATER CLOSET

Part	Vendor
A2467016020 - COMBO CODE - INCLUDES THE FOLLOWING 2 PRODUCTS:	AMERICAN STANDARD
A3483001020 - CADET RIGHT HEIGHT UNIVERSAL BOWL WHITE	AMERICAN STANDARD
A4142016020 - 1.6 GPF FLSHMTR CLOSET TANK WHITE	AMERICAN STANDARD
B3155SSCT000 - ELONGATED OPEN FRONT PLASTIC SEAT WHITE	BEMIS
PFXQAC32CLK - LEAD LAW COMPLIANT 5/8 X 3/8 OD COMP QUARTER TURN ANGLE ST LOOSE KEY CHROME PLATED	PROFLO
PFX146472 - LEAD LAW COMPLIANT 3/8 C X 7/8 12 STAINLESS STEEL CLOSET CONNECTOR	PROFLO
PFE7 - 5/8" OD CP SHALLOW ESC FLANGE	PROFLO
PFWR - WAX RING	PROFLO
PF90104 - PAIR OF CLOSET BOLTS, NUTS, & WASHERS	PROFLO

Cadet Chair Height Elongated Pressure-Assisted Toilet 1.6 gpf/ 6.0 Lpf



2467.016

- Vitreous china
- Low-consumption (1.6 gpf/6.0 Lpf)
- EverClean® surface inhibits the growth of stain- and odor-causing bacteria, mold, and mildew on the surface
- Bowl rim at 16-1/2" for accessible applications
- Elongated bowl
- Pressure-assisted siphon jet flush action
- Fully-glazed 2-1/8" trapway
- 10 x 12" water surface area
- Close-coupled Flushometer tank*
- Metal chrome trip lever
- Speed Connect® tank/bowl coupling system
- Sanitary dam on bowl
- Two bolt caps
- 100% factory flush tested
- 12" Rough-in

- 2467.164** Same as above except with slotted rim bowl for bed pan holding (white only)
- 3483.016** Bowl with two bolt caps
- 3483.001** Same as above, Universal Bowl
- 3484.001** Bowl with slotted rim for bed pan holding with two bolt caps (white only)
- 4142.016** Tank complete with coupling components

Nominal Dimensions:

768 x 521 x 781mm
(30-1/4" x 20-1/2" x 30-3/4")

Fixture only, seat and supply by others

Recommended working pressure range
25 psi - 80 psi

Alternate Configurations Available:

- 4142.600** Tank and tank cover only with tank cover locking device
- 4142.800** Tank and tank cover only with right hand trip lever
- 4142.900** Tank complete with right hand trip lever and tank cover locking device

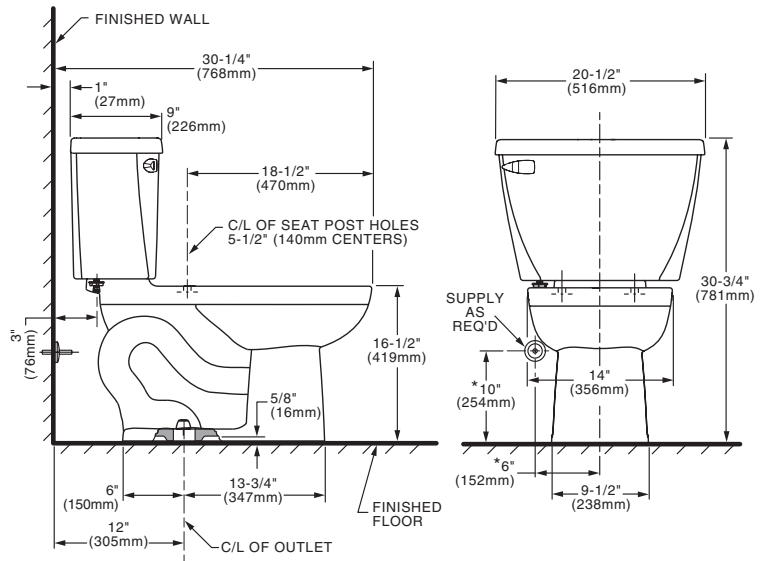
Compliance Certifications -

Meets or Exceeds the Following Specifications:

- ASME A112.19.2-2008 / CSA B45.1-08 for Vitreous China Fixtures

To Be Specified:

- Color: White
- Seat: American Standard #5503A00B Transitional slow-close solid plastic closed front seat with cover
- American Standard #5257A65MT Cardiff EverClean® slow-close solid plastic closed front seat with cover
- Alternate Seat:



NOTES:

THIS TOILET IS DESIGNED TO ROUGH-IN AT A MINIMUM DIMENSION OF 305mm (12") FROM FINISHED WALL TO C/L OF OUTLET. SUPPLY NOT INCLUDED WITH FIXTURE AND MUST BE ORDERED SEPARATELY.
* DIMENSION SHOWN FOR LOCATION OF SUPPLY IS SUGGESTED.

IMPORTANT: Dimensions of fixtures are nominal and may vary within the range of tolerances established by ASME A112.19.2-2008 / CSH B45.1-08. These measurements are subject to change or cancellation. No responsibility is assumed for use of superseded or voided pages.



MEETS THE AMERICANS WITH DISABILITIES ACT GUIDELINES AND ANSI A117.1 REQUIREMENTS FOR ACCESSIBLE AND USABLE BUILDING FACILITIES - CHECK LOCAL CODES.

Cadet Chair Height Elongated Pressure-Assisted Toilet
1.6 gpf/ 6.0 Lpf

- 2467.016**
 - Vitreous china
 - Low-consumption (1.6 gpf/6.0 Lpf)
 - EverClean® surface inhibits the growth of stain- and odor-causing bacteria, mold, and mildew on the surface
 - Bowl rim at 16-1/2" for accessible applications
 - Elongated bowl
 - Pressure-assisted siphon jet flush action
 - Fully-glazed 2-1/8" trapway
 - 10 x 12" water surface area
 - Close-coupled Flushometer tank*
 - Metal chrome trip lever
 - Speed Connect® tank/bowl coupling system
 - Sanitary dam on bowl
 - Two bolt caps
 - 100% factory flush tested
 - 12" Rough-in



- 2467.164** Same as above except with slotted rim bowl for bed pan holding (white only)
- 3483.016** Bowl with two bolt caps
- 3483.001** Same as above, Universal Bowl
- 3484.001** Bowl with slotted rim for bed pan holding with two bolt caps (white only)
- 4142.016** Tank complete with coupling components

Nominal Dimensions:

768 x 521 x 781mm
(30-1/4" x 20-1/2" x 30-3/4")

Fixture only, seat and supply by others

Recommended working pressure range
25 psi - 80 psi

Alternate Configurations Available:

- 4142.600** Tank and tank cover only with tank cover locking device
- 4142.800** Tank and tank cover only with right hand trip lever
- 4142.900** Tank complete with right hand trip lever and tank cover locking device

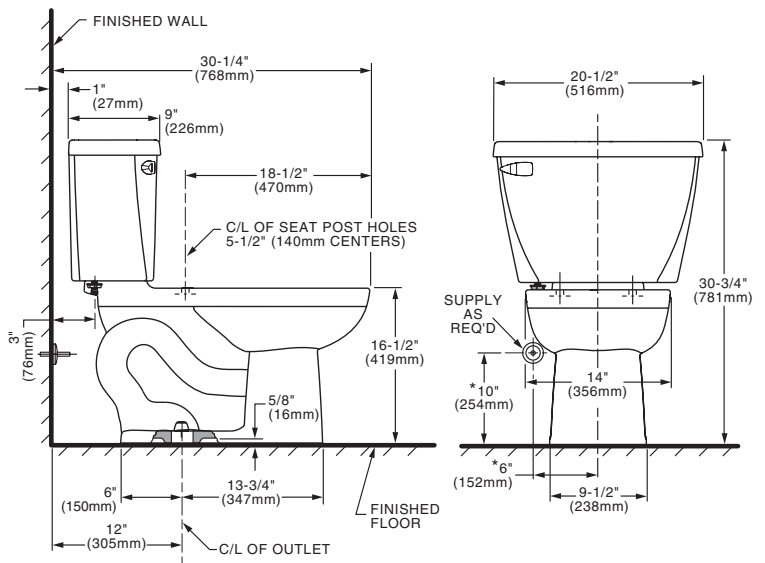
Compliance Certifications -

Meets or Exceeds the Following Specifications:

- ASME A112.19.2-2008 / CSA B45.1-08 for Vitreous China Fixtures

To Be Specified:

- Color: White
- Seat: American Standard #5503A00B Transitional slow-close solid plastic closed front seat with cover
- American Standard #5257A65MT Cardiff EverClean® slow-close solid plastic closed front seat with cover
- Alternate Seat:



NOTES:

THIS TOILET IS DESIGNED TO ROUGH-IN AT A MINIMUM DIMENSION OF 305mm (12") FROM FINISHED WALL TO C/L OF OUTLET. SUPPLY NOT INCLUDED WITH FIXTURE AND MUST BE ORDERED SEPARATELY.
* DIMENSION SHOWN FOR LOCATION OF SUPPLY IS SUGGESTED.

IMPORTANT: Dimensions of fixtures are nominal and may vary within the range of tolerances established by ASME A112.19.2-2008 / CSH B45.1-08. These measurements are subject to change or cancellation. No responsibility is assumed for use of superseded or voided pages.



MEETS THE AMERICANS WITH DISABILITIES ACT GUIDELINES AND ANSI A117.1 REQUIREMENTS FOR ACCESSIBLE AND USABLE BUILDING FACILITIES - CHECK LOCAL CODES.

Cadet Chair Height Elongated Pressure-Assisted Toilet 1.6 gpf / 6.0 Lpf

- 2467.016**
 - Vitreous china
 - Low-consumption (1.6 gpf/6.0 Lpf)
 - EverClean® surface inhibits the growth of stain- and odor-causing bacteria, mold, and mildew on the surface
 - Bowl rim at 16-1/2" for accessible applications
 - Elongated bowl
 - Pressure-assisted siphon jet flush action
 - Fully-glazed 2-1/8" trapway
 - 10 x 12" water surface area
 - Close-coupled Flushometer tank*
 - Metal chrome trip lever
 - Speed Connect® tank/bowl coupling system
 - Sanitary dam on bowl
 - Two bolt caps
 - 100% factory flush tested
 - 12" Rough-in



- 2467.164** Same as above except with slotted rim bowl for bed pan holding (white only)
- 3483.016** Bowl with two bolt caps
- 3483.001** Same as above, Universal Bowl
- 3484.001** Bowl with slotted rim for bed pan holding with two bolt caps (white only)
- 4142.016** Tank complete with coupling components

Nominal Dimensions:

768 x 521 x 781mm
(30-1/4" x 20-1/2" x 30-3/4")

Fixture only, seat and supply by others

Recommended working pressure range
25 psi - 80 psi

Alternate Configurations Available:

- 4142.600** Tank and tank cover only with tank cover locking device
- 4142.800** Tank and tank cover only with right hand trip lever
- 4142.900** Tank complete with right hand trip lever and tank cover locking device

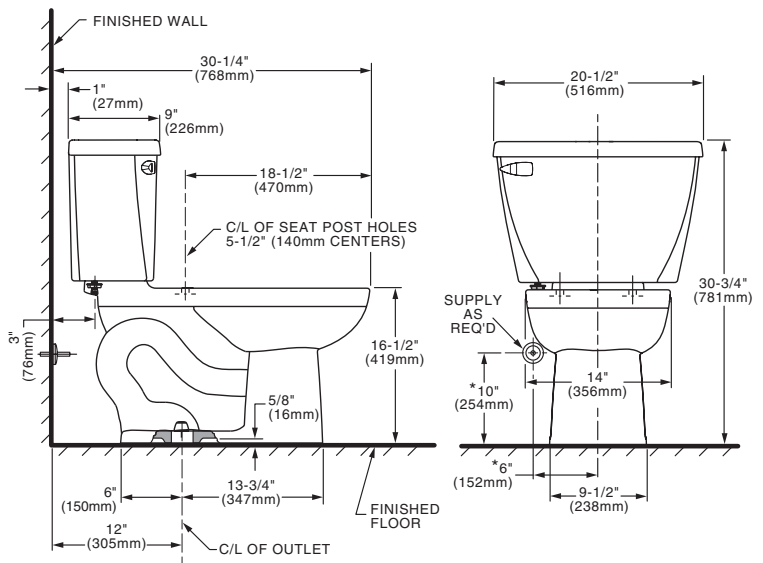
Compliance Certifications -

Meets or Exceeds the Following Specifications:

- ASME A112.19.2-2008 / CSA B45.1-08 for Vitreous China Fixtures

To Be Specified:

- Color: White
- Seat: American Standard #5503A00B Transitional slow-close solid plastic closed front seat with cover
- American Standard #5257A65MT Cardiff EverClean® slow-close solid plastic closed front seat with cover
- Alternate Seat:



NOTES:

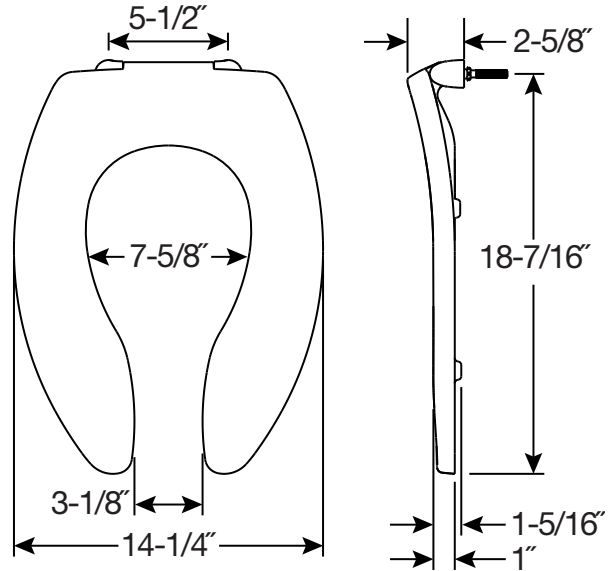
THIS TOILET IS DESIGNED TO ROUGH-IN AT A MINIMUM DIMENSION OF 305mm (12") FROM FINISHED WALL TO C/L OF OUTLET. SUPPLY NOT INCLUDED WITH FIXTURE AND MUST BE ORDERED SEPARATELY.
* DIMENSION SHOWN FOR LOCATION OF SUPPLY IS SUGGESTED.

IMPORTANT: Dimensions of fixtures are nominal and may vary within the range of tolerances established by ASME A112.19.2-2008 / CSH B45.1-08. These measurements are subject to change or cancellation. No responsibility is assumed for use of superseded or voided pages.



MEETS THE AMERICANS WITH DISABILITIES ACT GUIDELINES AND ANSI A117.1 REQUIREMENTS FOR ACCESSIBLE AND USABLE BUILDING FACILITIES - CHECK LOCAL CODES.

COMMERCIAL EXTRA HEAVY-DUTY
PLASTIC TOILET SEAT



White ✓

FEATURES:

- **STA-TITE® Commercial Fastening System™**
Eliminates callbacks for loosened seats
- **DuraGuard® Antimicrobial ***
Built-In Seat Protection™

** DuraGuard Antimicrobial does not protect users against bacteria, viruses, or other disease organisms. Always clean and wash this product thoroughly before and after each use.*

SPECIFICATIONS:

- Size:** Elongated
- Material:** Plastic
- Style:** Open Front less Cover
- Ring Bumpers:** Four
- Hinges:** Plastic Non Self-Sustaining Check Hinges (3155CT) or Self-Sustaining Check Hinges (3155SSCT) with Non-Corroding 300 Series Stainless Steel Posts and Pintles
- Hardware:** STA-TITE® Commercial Fastening System™

Codes & Standards:  Complies with IAPMO/ANSI Z124.5 Performance Standards Heavy-Duty Commercial

Specifications

PFXQ Series

Lead-Free Quarter-Turn Supply Stops



Product Features

- Chrome plated stops
- Lead-free brass body
- Lead-free brass stem
- Lead-free brass ball mechanism
- Angle, straight and 3-way stops available
- Operating pressure: 125psi maximum
- Operating temperature: 40°F-160°F
- Quarter-turn operation
- Blowout-proof stem

Codes and Certifications

- cUPC approved
- ASME A112.18.1/CSA B125.1
- NSF/ANSI/CAN 61
- NSF 372- Low Lead

Model Numbers

Angle Stops

PFXQAT32C*	LF 1/2 FIP X 3/8 COMP ANG ST QT CP
PFXQAC32C*	LF 5/8 COMP X 3/8 COMP ANG ST QT CP
PFXQAP32C	LF 1/2 PEX X 3/8 COMP ANG ST QT CP
PFXQAS32C*	LF 1/2 SWT X 3/8 COMP ANG ST QT CP
PFXQAT22C	LF 3/8 FIP X 3/8 COMP ANG ST QT CP
PFXQAT32C	LF 1/2 FIP X 3/8 COMP ANG ST QT CP
PFXQAV32C	LF 1/2 CPVC X 3/8 COMP ANG ST QT CP
PFXQAC32CLK*	LF 5/8X3/8 OD COMP QT ANG ST L/K CP
PFXQAJ34C	LF 5/8 OD X 7/16 & 1/2 SJ ANG ST CP

Straight Stops

PFXQSC32C*	LF 5/8 X 3/8 COMP STRT ST QT CP
PFXQSC32C	LF 5/8 X 3/8 COMP STRT ST QT CP
PFXQSP32C	LF 1/2 F1807 PEX X 3/8OD QT STRT ST
PFXQSS32C*	LF 1/2 SWT X 3/8 COMP STRT ST QT CP
PFXQST22C	LF 3/8 FIP X 3/8 COMP STRT ST QT CP
PFXQST32C	LF 1/2 FIP X 3/8 COMP STRT ST QT CP
PFXQSV32C	LF 1/2 CPVC X 3/8 COMP STRT ST QT

3-Way Stops

PFXQ3C322C*	LF 3/8 COMP X 5/8 COMP 3W ST QT CP
--------------------	------------------------------------

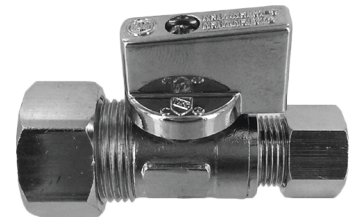
*For use copper tube only.



PFXQAT32C



PFXQAC32C



PFXQSC32C

Warranty and Codes

This PROFLO product carries a 1-year limited warranty. ASME A112.18.1-2005/CSA B125.1-05.



PFX146

Stainless Steel and PVC Toilet

Reinforced Flexible Connectors



Product Features

- Working Temperature: 40°F to 140°F
- Working Pressure: up to 125 PSI maximum
- Internal Hose: reinforced PVC
- Outer Wire Braid: 304 stainless steel (not applicable to PVC connector – PFX146172)
- Barb: low lead brass alloy
- Metal Nuts: nickel-plated brass alloy
- Ferrule: nickel-plated brass alloy
- Washer: Santoprene/EPDM rubber



PFX146172



PFX146463

Installation Instructions

- For use with water in accessible locations only
- Metal Nuts: hand tighten plus 1/4 turn with wrench
- Plastic Nuts: hand tighten only and do not use tools
- Do not over tighten nuts
- Check for leaks before leaving job site
- Inspect regularly for general fitness and replace if damaged, corroded or worn
- Do not expose to corrosive chemicals



PFX146472

Models and Product Certifications

Model #	Description	cUPC	UPC	Low Lead Compliant
PFX146172	3/8" COMP X 7/8" BALLCOCK X 12" PVC Toilet	✓	✓	✓
PFX146462	1/2" FIP X 7/8" BALLCOCK X 12" SS Toilet	✓	✓	✓
PFX146463	1/2" FIP X 7/8" BALLCOCK X 16" SS Toilet	✓	✓	✓
PFX146471	3/8" COMP X 7/8" BALLCOCK X 9" SS Toilet	✓	✓	✓
PFX146472	3/8" COMP X 7/8" BALLCOCK X 12" SS Toilet	✓	✓	✓
PFX146473	3/8" COMP X 7/8" BALLCOCK X 16" SS Toilet	✓	✓	✓
PFX146474	3/8" COMP X 7/8" BALLCOCK X 20" SS Toilet	✓	✓	✓
PFX146492	1/2" COMP X 7/8" BALLCOCK X 12" SS Toilet	✓	✓	✓



Warranty and Listing Certification

This PROFLO product carries a 1-year limited warranty.
 IAPMO listed to ASME A112.18.6-2009 and CSA B125.6-2009
 IAPMO listed to NSF/ANSI 61 and NSF/ANSI 372

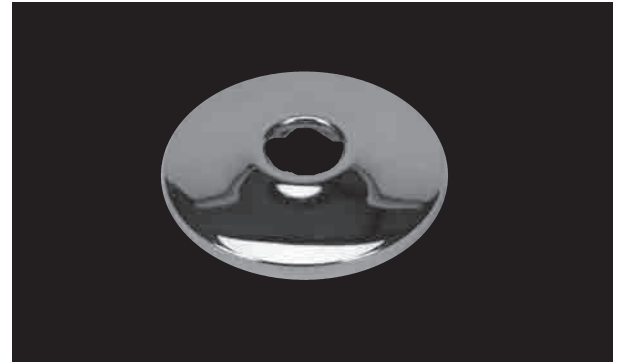
Escutcheons

Standard Type



Product Features

- Fits iron pipe and copper tube
- Chrome plated steel and polished brass



PFE1

Model Numbers

✓ For Submittal	Part Number	Description	Material	Thickness	IPS	CWT/CTS	OUTSIDE DIAMETER	Finish
	PFE1	3/8" IPS CP ESCUTCHEON	Steel	30 GA	3/8"		2 1/2"	Chrome Plated
	PFE2	1/2" IPS CP ESCUTCHEON	Steel	30 GA	1/2"		2 1/2"	Chrome Plated
	PFE2PB	1/2" IPS PB ESCUTCHEON	Steel	30 GA	1/2"		2 1/2"	Polished Brass
✓	PFE7	5/8" OD CP ESCUTCHEON	Steel	30 GA		5/8" OD (1/2" CTS)	2 1/2"	Chrome Plated
	PFE7PB	5/8" OD PB ESCUTCHEON	Steel	30 GA		5/8" OD (1/2" CTS)	2 1/2"	Polished Brass
	PFE8	3/4" IPS CP ESCUTCHEON	Steel	30 GA	3/4"		2 1/2"	Chrome Plated
	PFE9	7/8" OD CP ESCUTCHEON	Steel	30 GA		7/8" OD (3/4" CTS)	2 1/2"	Chrome Plated
	PFE9A	1" IPS CP ESCUTCHEON	Steel	30 GA	1"		2 3/4"	Chrome Plated
	PFE10	1 1/4" IPS CP ESCUTCHEON	Steel	30 GA	1-1/4"		3"	Chrome Plated
	PFE11	1-1/2" IPS CP ESCUTCHEON	Steel	30 GA	1-1/2"		3"	Chrome Plated
	PFE11PB	1-1/2" POL BRS IPS SHAL ESC	Steel	30 GA	1-1/2"		3"	Polished Brass
	PFE16A	2" IPS CP ESCUTCHEON	Steel	30 GA	2"		3 1/2"	Chrome Plated

Warranty and Codes

The PROFLO product carries a 1-year limited warranty.

PFWR

Heavy Duty Wax Bowl Ring



Product Features

- 100% pure petroleum wax gasket for setting any floor type closet bowl
- Wax Bowl Ring fits all floor-type toilet bowls with 3" or 4" waste lines
- 48 per pack
- 25 lbs. carton weight

Physical/Chemical Properties

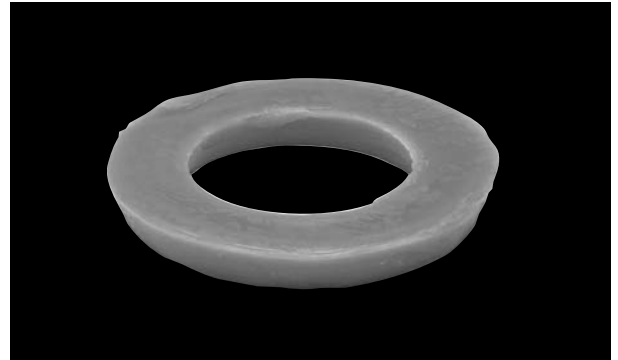
Specific Gravity	0.82 – 0.86
Appearance	Golden Wax
Shelf Life	1 year from manufacture
Melting Point	150° F – 160° F

Directions for Use

Wax Ring works best at room temperature to ensure proper flow of wax. All surfaces must be dry and free of putty, scale or other contaminated wax. Remove debris by scraping with putty knife or wire brush. Dust and dry all surfaces before installing gasket. Remove wax ring from wrapping. Place wax firmly over the horn of the outlet on the toilet bowl and set into place over closet bolts, using body weight to compress gasket. Gently twist bowl to spread wax. Tighten flange bolts carefully to prevent cracking or chipping the toilet bowl.

Precautions

Read all cautions and directions carefully before using this product. Make sure water supply is shut off before beginning installation. For use on floor closet bowls only. **DO NOT INSTALL ON WET SURFACES.** Keep away from direct sunlight to prevent darkening. Do not store near extreme heat. **KEEP OUT OF REACH OF CHILDREN.**



PFWR

Common Applications

PROFLO Heavy Duty Wax Bowl Ring provides a permanent, sanitary, gas and watertight seal on most types of water closets. Wax Bowl Ring will not dry out, harden or deteriorate.

Ingredients

Petrolatum (Non-Hazardous)

When used for the intended end use application, this product is considered an "article" as defined in OSHA 29 CFR 1910.1200(c).

Approvals and Listings

Meets Federal Specification TT-P-1536A.

PF90104 & PF90104BRSS



1/4" x 2-1/4" Solid Brass Closet Bolts

Product Features:

- 1/4" X 2-1/4" Solid Brass Snap Off Bolts
- 2 Round Brass Plated Steel Washers
- 2 Round Nickel Plated Steel Washers
- 2 Nickel Plated Acorn Nuts
- Bagged

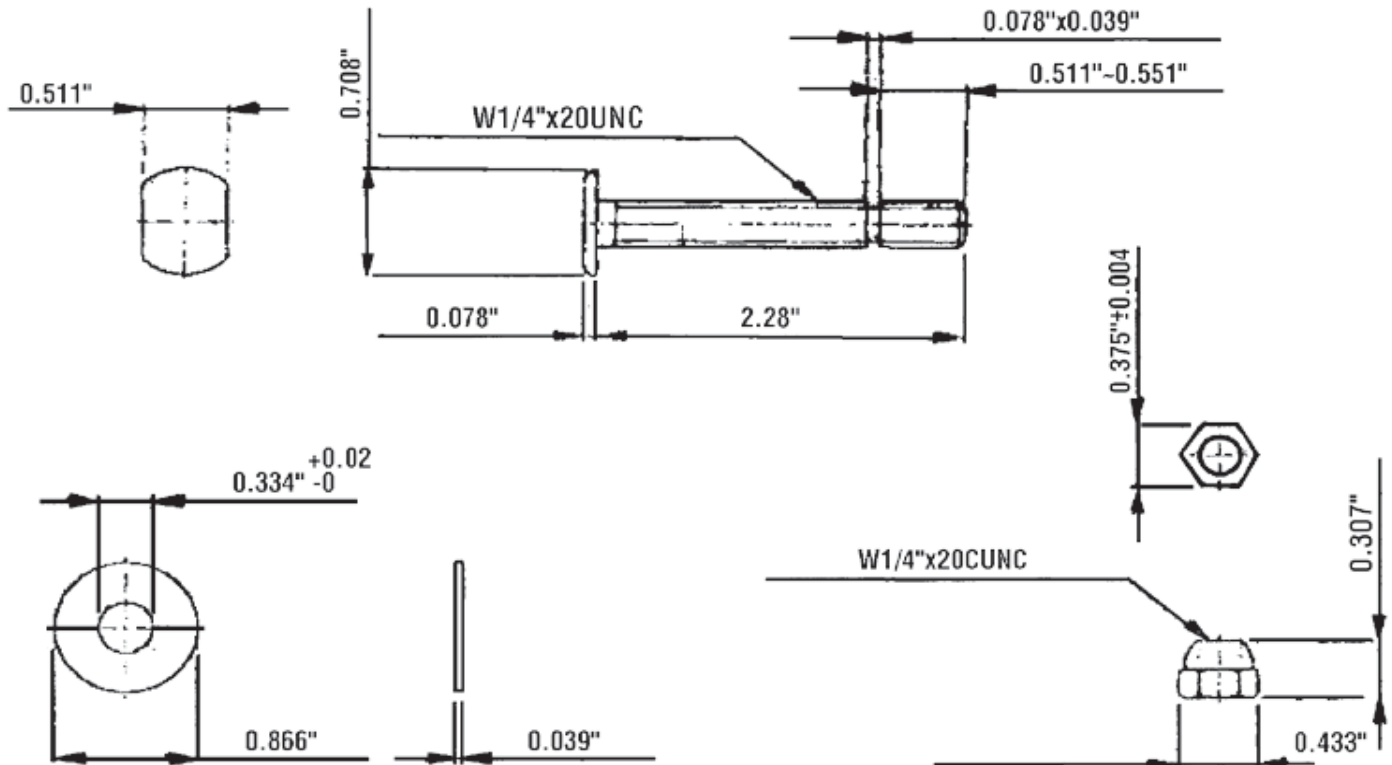


PF90104

PART #	NUTS
PF90104	Round - Nickel Plated Steel
PF90104BRSS	Round - Nickel Plated Brass



Product Specifications:



Warranty and Codes:

This PROFLO product carries a 1-year limited warranty.

Spec Section:

Submittal Name

WC-1R WATER CLOSET (RH TRIP LEVER)

Part	Vendor
A3483001020 - CADET RIGHT HEIGHT UNIVERSAL BOWL WHITE	AMERICAN STANDARD
A4142800020 - 1.6 GALLONS PER FLUSH CLOSET TANK *YORKVI WHITE	AMERICAN STANDARD
B3155SSCT000 - ELONGATED OPEN FRONT PLASTIC SEAT WHITE	BEMIS
PFXQAC32CLK - LEAD LAW COMPLIANT 5/8 X 3/8 OD COMP QUARTER TURN ANGLE ST LOOSE KEY CHROME PLATED	PROFLO
PFX146472 - LEAD LAW COMPLIANT 3/8 C X 7/8 12 STAINLESS STEEL CLOSET CONNECTOR	PROFLO
PFE7 - 5/8" OD CP SHALLOW ESC FLANGE	PROFLO
PFWR - WAX RING	PROFLO
PF90104 - PAIR OF CLOSET BOLTS, NUTS, & WASHERS	PROFLO

Cadet Chair Height Elongated Pressure-Assisted Toilet 1.6 gpf / 6.0 Lpf

- 2467.016**
 - Vitreous china
 - Low-consumption (1.6 gpf/6.0 Lpf)
 - EverClean® surface inhibits the growth of stain- and odor-causing bacteria, mold, and mildew on the surface
 - Bowl rim at 16-1/2" for accessible applications
 - Elongated bowl
 - Pressure-assisted siphon jet flush action
 - Fully-glazed 2-1/8" trapway
 - 10 x 12" water surface area
 - Close-coupled Flushometer tank*
 - Metal chrome trip lever
 - Speed Connect® tank/bowl coupling system
 - Sanitary dam on bowl
 - Two bolt caps
 - 100% factory flush tested
 - 12" Rough-in
- 2467.164** Same as above except with slotted rim bowl for bed pan holding (white only)
- 3483.016** Bowl with two bolt caps
- 3483.001** Same as above, Universal Bowl
- 3484.001** Bowl with slotted rim for bed pan holding with two bolt caps (white only)
- 4142.016** Tank complete with coupling components

Nominal Dimensions:

768 x 521 x 781mm
(30-1/4" x 20-1/2" x 30-3/4")

Fixture only, seat and supply by others

Recommended working pressure range
25 psi - 80 psi

Alternate Configurations Available:

- 4142.600** Tank and tank cover only with tank cover locking device
- 4142.800** Tank and tank cover only with right hand trip lever
- 4142.900** Tank complete with right hand trip lever and tank cover locking device

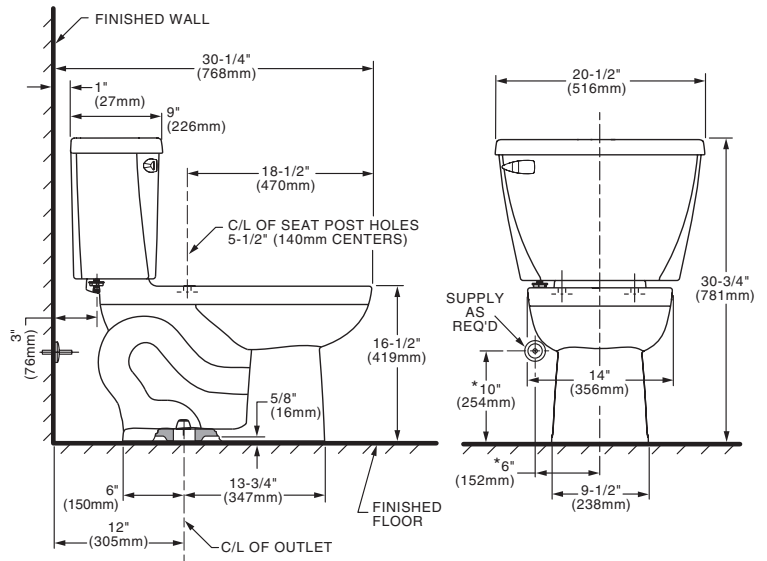
Compliance Certifications -

Meets or Exceeds the Following Specifications:

- ASME A112.19.2-2008 / CSA B45.1-08 for Vitreous China Fixtures

To Be Specified:

- Color: White
- Seat: American Standard #5503A00B Transitional slow-close solid plastic closed front seat with cover
- American Standard #5257A65MT Cardiff EverClean® slow-close solid plastic closed front seat with cover
- Alternate Seat:



NOTES:

THIS TOILET IS DESIGNED TO ROUGH-IN AT A MINIMUM DIMENSION OF 305mm (12") FROM FINISHED WALL TO C/L OF OUTLET. SUPPLY NOT INCLUDED WITH FIXTURE AND MUST BE ORDERED SEPARATELY.
* DIMENSION SHOWN FOR LOCATION OF SUPPLY IS SUGGESTED.

IMPORTANT: Dimensions of fixtures are nominal and may vary within the range of tolerances established by ASME A112.19.2-2008 / CSH B45.1-08. These measurements are subject to change or cancellation. No responsibility is assumed for use of superseded or voided pages.



MEETS THE AMERICANS WITH DISABILITIES ACT GUIDELINES AND ANSI A117.1 REQUIREMENTS FOR ACCESSIBLE AND USABLE BUILDING FACILITIES - CHECK LOCAL CODES.

Cadet Chair Height Elongated Pressure-Assisted Toilet 1.6 gpf / 6.0 Lpf

- 2467.016**
 - Vitreous china
 - Low-consumption (1.6 gpf/6.0 Lpf)
 - EverClean® surface inhibits the growth of stain- and odor-causing bacteria, mold, and mildew on the surface
 - Bowl rim at 16-1/2" for accessible applications
 - Elongated bowl
 - Pressure-assisted siphon jet flush action
 - Fully-glazed 2-1/8" trapway
 - 10 x 12" water surface area
 - Close-coupled Flushometer tank*
 - Metal chrome trip lever
 - Speed Connect® tank/bowl coupling system
 - Sanitary dam on bowl
 - Two bolt caps
 - 100% factory flush tested
 - 12" Rough-in



- 2467.164** Same as above except with slotted rim bowl for bed pan holding (white only)
- 3483.016** Bowl with two bolt caps
- 3483.001** Same as above, Universal Bowl
- 3484.001** Bowl with slotted rim for bed pan holding with two bolt caps (white only)
- 4142.016** Tank complete with coupling components

Nominal Dimensions:

768 x 521 x 781mm
(30-1/4" x 20-1/2" x 30-3/4")

Fixture only, seat and supply by others

Recommended working pressure range
25 psi - 80 psi

Alternate Configurations Available:

- 4142.600** Tank and tank cover only with tank cover locking device
- 4142.800** Tank and tank cover only with right hand trip lever
- 4142.900** Tank complete with right hand trip lever and tank cover locking device

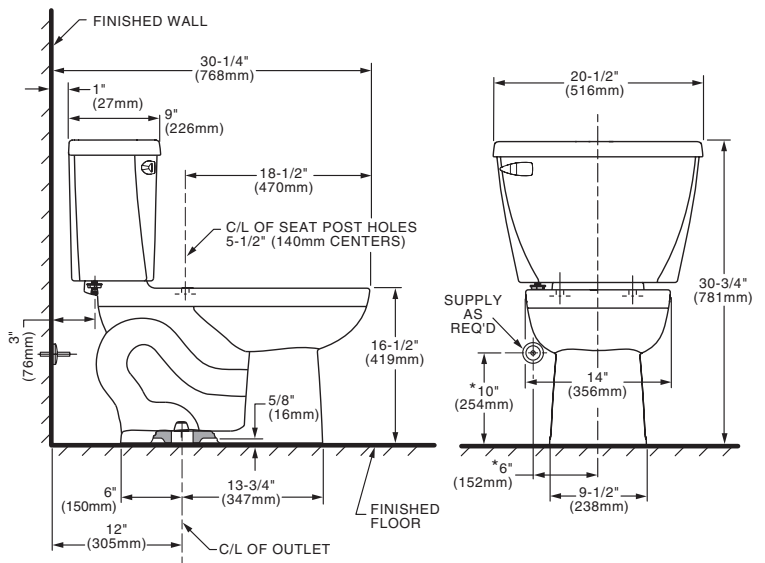
Compliance Certifications -

Meets or Exceeds the Following Specifications:

- ASME A112.19.2-2008 / CSA B45.1-08 for Vitreous China Fixtures

To Be Specified:

- Color: White
- Seat: American Standard #5503A00B Transitional slow-close solid plastic closed front seat with cover
- American Standard #5257A65MT Cardiff EverClean® slow-close solid plastic closed front seat with cover
- Alternate Seat:



NOTES:

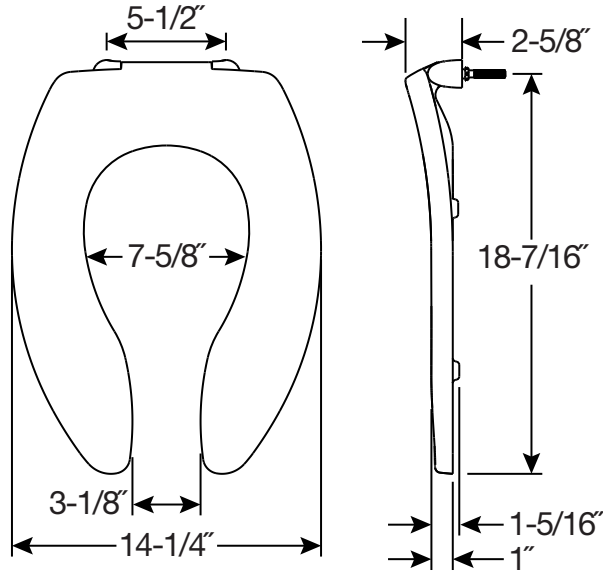
THIS TOILET IS DESIGNED TO ROUGH-IN AT A MINIMUM DIMENSION OF 305mm (12") FROM FINISHED WALL TO C/L OF OUTLET. SUPPLY NOT INCLUDED WITH FIXTURE AND MUST BE ORDERED SEPARATELY.
* DIMENSION SHOWN FOR LOCATION OF SUPPLY IS SUGGESTED.

IMPORTANT: Dimensions of fixtures are nominal and may vary within the range of tolerances established by ASME A112.19.2-2008 / CSH B45.1-08. These measurements are subject to change or cancellation. No responsibility is assumed for use of superseded or voided pages.



MEETS THE AMERICANS WITH DISABILITIES ACT GUIDELINES AND ANSI A117.1 REQUIREMENTS FOR ACCESSIBLE AND USABLE BUILDING FACILITIES - CHECK LOCAL CODES.

COMMERCIAL EXTRA HEAVY-DUTY
PLASTIC TOILET SEAT



White ✓

FEATURES:

- **STA-TITE® Commercial Fastening System™**
Eliminates callbacks for loosened seats
- **DuraGuard® Antimicrobial ***
Built-In Seat Protection™

** DuraGuard Antimicrobial does not protect users against bacteria, viruses, or other disease organisms. Always clean and wash this product thoroughly before and after each use.*

SPECIFICATIONS:

- Size:** Elongated
- Material:** Plastic
- Style:** Open Front less Cover
- Ring Bumpers:** Four
- Hinges:** Plastic Non Self-Sustaining Check Hinges (3155CT) or Self-Sustaining Check Hinges (3155SSCT) with Non-Corroding 300 Series Stainless Steel Posts and Pintles
- Hardware:** STA-TITE® Commercial Fastening System™

Codes & Standards:  Complies with IAPMO/ANSI Z124.5 Performance Standards Heavy-Duty Commercial



Specifications

PFXQ Series

Lead-Free Quarter-Turn Supply Stops



Product Features

- Chrome plated stops
- Lead-free brass body
- Lead-free brass stem
- Lead-free brass ball mechanism
- Angle, straight and 3-way stops available
- Operating pressure: 125psi maximum
- Operating temperature: 40°F-160°F
- Quarter-turn operation
- Blowout-proof stem

Codes and Certifications

- cUPC approved
- ASME A112.18.1/CSA B125.1
- NSF/ANSI/CAN 61
- NSF 372- Low Lead

Model Numbers

Angle Stops

PFXQAT32C*	LF 1/2 FIP X 3/8 COMP ANG ST QT CP
PFXQAC32C*	LF 5/8 COMP X 3/8 COMP ANG ST QT CP
PFXQAP32C	LF 1/2 PEX X 3/8 COMP ANG ST QT CP
PFXQAS32C*	LF 1/2 SWT X 3/8 COMP ANG ST QT CP
PFXQAT22C	LF 3/8 FIP X 3/8 COMP ANG ST QT CP
PFXQAT32C	LF 1/2 FIP X 3/8 COMP ANG ST QT CP
PFXQAV32C	LF 1/2 CPVC X 3/8 COMP ANG ST QT CP
PFXQAC32CLK*	LF 5/8X3/8 OD COMP QT ANG ST L/K CP
PFXQAJ34C	LF 5/8 OD X 7/16 & 1/2 SJ ANG ST CP

Straight Stops

PFXQSC32C*	LF 5/8 X 3/8 COMP STRT ST QT CP
PFXQSC32C	LF 5/8 X 3/8 COMP STRT ST QT CP
PFXQSP32C	LF 1/2 F1807 PEX X 3/8OD QT STRT ST
PFXQSS32C*	LF 1/2 SWT X 3/8 COMP STRT ST QT CP
PFXQST22C	LF 3/8 FIP X 3/8 COMP STRT ST QT CP
PFXQST32C	LF 1/2 FIP X 3/8 COMP STRT ST QT CP
PFXQSV32C	LF 1/2 CPVC X 3/8 COMP STRT ST QT

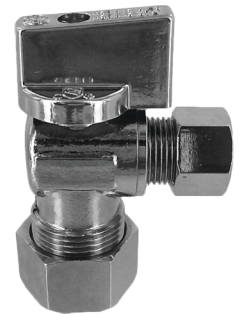
3-Way Stops

PFXQ3C322C*	LF 3/8 COMP X 5/8 COMP 3W ST QT CP
--------------------	------------------------------------

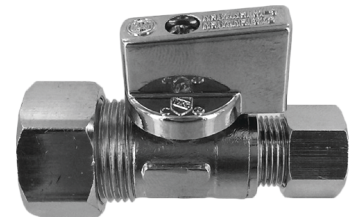
*For use copper tube only.



PFXQAT32C



PFXQAC32C



PFXQSC32C

Warranty and Codes

This PROFLO product carries a 1-year limited warranty. ASME A112.18.1-2005/CSA B125.1-05.



PFX146

Stainless Steel and PVC Toilet

Reinforced Flexible Connectors



Product Features

- Working Temperature: 40°F to 140°F
- Working Pressure: up to 125 PSI maximum
- Internal Hose: reinforced PVC
- Outer Wire Braid: 304 stainless steel (not applicable to PVC connector – PFX146172)
- Barb: low lead brass alloy
- Metal Nuts: nickel-plated brass alloy
- Ferrule: nickel-plated brass alloy
- Washer: Santoprene/EPDM rubber



PFX146172



PFX146463

Installation Instructions

- For use with water in accessible locations only
- Metal Nuts: hand tighten plus 1/4 turn with wrench
- Plastic Nuts: hand tighten only and do not use tools
- Do not over tighten nuts
- Check for leaks before leaving job site
- Inspect regularly for general fitness and replace if damaged, corroded or worn
- Do not expose to corrosive chemicals



PFX146472

Models and Product Certifications

Model #	Description	cUPC	UPC	Low Lead Compliant
PFX146172	3/8" COMP X 7/8" BALLCOCK X 12" PVC Toilet	✓	✓	✓
PFX146462	1/2" FIP X 7/8" BALLCOCK X 12" SS Toilet	✓	✓	✓
PFX146463	1/2" FIP X 7/8" BALLCOCK X 16" SS Toilet	✓	✓	✓
PFX146471	3/8" COMP X 7/8" BALLCOCK X 9" SS Toilet	✓	✓	✓
PFX146472	3/8" COMP X 7/8" BALLCOCK X 12" SS Toilet	✓	✓	✓
PFX146473	3/8" COMP X 7/8" BALLCOCK X 16" SS Toilet	✓	✓	✓
PFX146474	3/8" COMP X 7/8" BALLCOCK X 20" SS Toilet	✓	✓	✓
PFX146492	1/2" COMP X 7/8" BALLCOCK X 12" SS Toilet	✓	✓	✓



Warranty and Listing Certification

This PROFLO product carries a 1-year limited warranty.
IAPMO listed to ASME A112.18.6-2009 and CSA B125.6-2009
IAPMO listed to NSF/ANSI 61 and NSF/ANSI 372

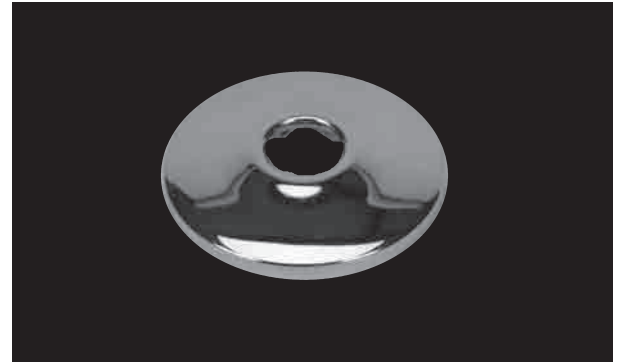
Escutcheons

Standard Type



Product Features

- Fits iron pipe and copper tube
- Chrome plated steel and polished brass



PFE1

Model Numbers

✓ For Submittal	Part Number	Description	Material	Thickness	IPS	CWT/CTS	OUTSIDE DIAMETER	Finish
	PFE1	3/8" IPS CP ESCUTCHEON	Steel	30 GA	3/8"		2 1/2"	Chrome Plated
	PFE2	1/2" IPS CP ESCUTCHEON	Steel	30 GA	1/2"		2 1/2"	Chrome Plated
	PFE2PB	1/2" IPS PB ESCUTCHEON	Steel	30 GA	1/2"		2 1/2"	Polished Brass
✓	PFE7	5/8" OD CP ESCUTCHEON	Steel	30 GA		5/8" OD (1/2" CTS)	2 1/2"	Chrome Plated
	PFE7PB	5/8" OD PB ESCUTCHEON	Steel	30 GA		5/8" OD (1/2" CTS)	2 1/2"	Polished Brass
	PFE8	3/4" IPS CP ESCUTCHEON	Steel	30 GA	3/4"		2 1/2"	Chrome Plated
	PFE9	7/8" OD CP ESCUTCHEON	Steel	30 GA		7/8" OD (3/4" CTS)	2 1/2"	Chrome Plated
	PFE9A	1" IPS CP ESCUTCHEON	Steel	30 GA	1"		2 3/4"	Chrome Plated
	PFE10	1 1/4" IPS CP ESCUTCHEON	Steel	30 GA	1-1/4"		3"	Chrome Plated
	PFE11	1-1/2" IPS CP ESCUTCHEON	Steel	30 GA	1-1/2"		3"	Chrome Plated
	PFE11PB	1-1/2" POL BRS IPS SHAL ESC	Steel	30 GA	1-1/2"		3"	Polished Brass
	PFE16A	2" IPS CP ESCUTCHEON	Steel	30 GA	2"		3 1/2"	Chrome Plated

Warranty and Codes

The PROFLO product carries a 1-year limited warranty.

PFWR

Heavy Duty Wax Bowl Ring



Product Features

- 100% pure petroleum wax gasket for setting any floor type closet bowl
- Wax Bowl Ring fits all floor-type toilet bowls with 3" or 4" waste lines
- 48 per pack
- 25 lbs. carton weight

Physical/Chemical Properties

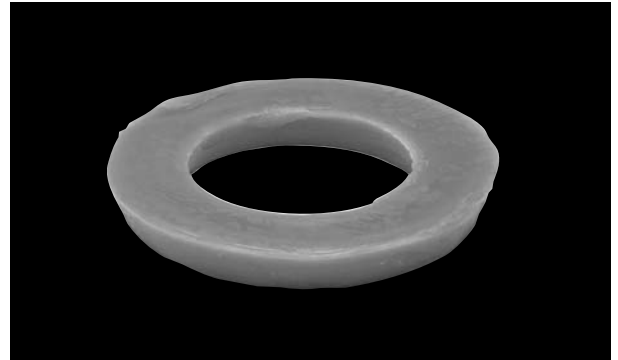
Specific Gravity	0.82 – 0.86
Appearance	Golden Wax
Shelf Life	1 year from manufacture
Melting Point	150° F – 160° F

Directions for Use

Wax Ring works best at room temperature to ensure proper flow of wax. All surfaces must be dry and free of putty, scale or other contaminated wax. Remove debris by scraping with putty knife or wire brush. Dust and dry all surfaces before installing gasket. Remove wax ring from wrapping. Place wax firmly over the horn of the outlet on the toilet bowl and set into place over closet bolts, using body weight to compress gasket. Gently twist bowl to spread wax. Tighten flange bolts carefully to prevent cracking or chipping the toilet bowl.

Precautions

Read all cautions and directions carefully before using this product. Make sure water supply is shut off before beginning installation. For use on floor closet bowls only. **DO NOT INSTALL ON WET SURFACES.** Keep away from direct sunlight to prevent darkening. Do not store near extreme heat. **KEEP OUT OF REACH OF CHILDREN.**



PFWR

Common Applications

PROFLO Heavy Duty Wax Bowl Ring provides a permanent, sanitary, gas and watertight seal on most types of water closets. Wax Bowl Ring will not dry out, harden or deteriorate.

Ingredients

Petrolatum (Non-Hazardous)

When used for the intended end use application, this product is considered an "article" as defined in OSHA 29 CFR 1910.1200(c).

Approvals and Listings

Meets Federal Specification TT-P-1536A.

PF90104 & PF90104BRSS



1/4" x 2-1/4" Solid Brass Closet Bolts

Product Features:

- 1/4" X 2-1/4" Solid Brass Snap Off Bolts
- 2 Round Brass Plated Steel Washers
- 2 Round Nickel Plated Steel Washers
- 2 Nickel Plated Acorn Nuts
- Bagged

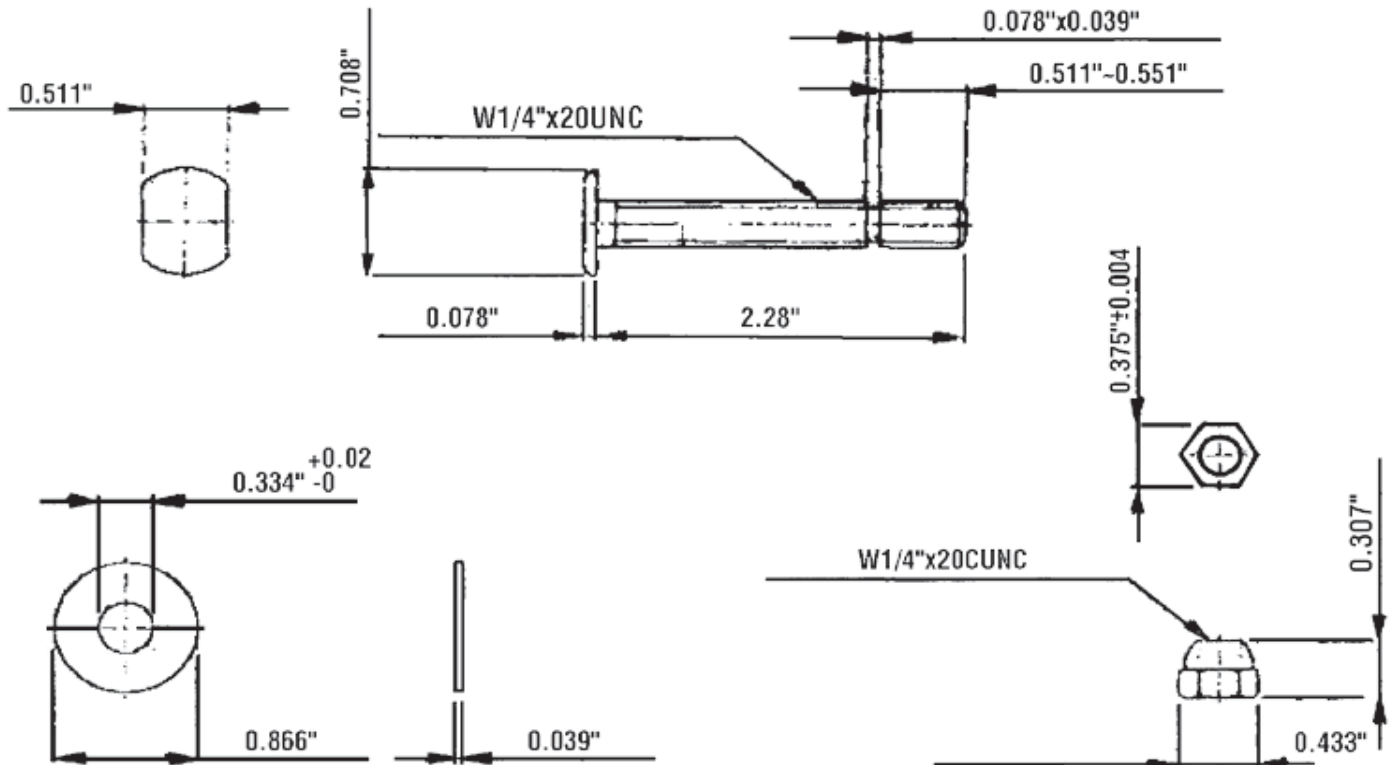


PF90104

PART #	NUTS
PF90104	Round - Nickel Plated Steel
PF90104BRSS	Round - Nickel Plated Brass



Product Specifications:



Warranty and Codes:

This PROFLO product carries a 1-year limited warranty.

Spec Section:

Submittal Name

Disclaimer

Part	Vendor
Submittal Disclaimer -	



"AS IS" Disclaimers

The information contained in this submittal is a compilation of product information made available by manufactures or other suppliers about their products, and while Ferguson Enterprises, INC. ("Ferguson") makes reasonable efforts to present current information in the form in which it is received by Ferguson, the information is provided to you "AS IS," for your internal informational purposes only, without any representation or warranty of accuracy or completeness of information or other warranty of any kind, including any implied warranty of quality, merchantability, fitness for a particular purpose, or non-infringement. In no event will Ferguson be liable to any party for any direct, indirect, incidental, special or consequential damages for use of or reliance upon any information or material presented including, but not limited to, damages arising from loss of profits, business interruption or any other damages, even if Ferguson is expressly advised about the possibility of such damages, to the fullest extent allowable by law. The material in this submittal could contain technical inaccuracies or typographical errors, and information will be changed, updated and deleted without notice. Manufacturers or other suppliers may make improvements and/or changes in the products described in this material at any time.

Customer Service Policy

Ferguson enterprises, Inc. is unconditionally committed to customer service satisfaction.

Ferguson's commitment to assisting our customers obtain redress under the terms of manufacturers' warranties is a fundamental principle of our customer service philosophy. Ferguson does not manufacture any of the products we sell. Consequently, like our customers, Ferguson must look to manufacturers to provide warranty protection. Our customers' sole and exclusive warranty, therefor, is that provided by manufacturers.

Warranty Disclaimer. Ferguson Enterprises, Inc. and its subsidiaries ("Ferguson") make no express or implied warranties. *Ferguson hereby disclaims all warranties, whether express or implied by operation of law or otherwise, including, without limitation, all implied warranties of merchantability or fitness for a particular purpose.* Ferguson shall not be liable, directly or indirectly, for any loss, cost, damage or expense, including, without limitation, labor charges or consequential or incidental damages, arising directly or indirectly from the operation, condition or use of products sold by Ferguson. Ferguson's sole liability, if any, shall be limited to the product's sale price in all cases.